

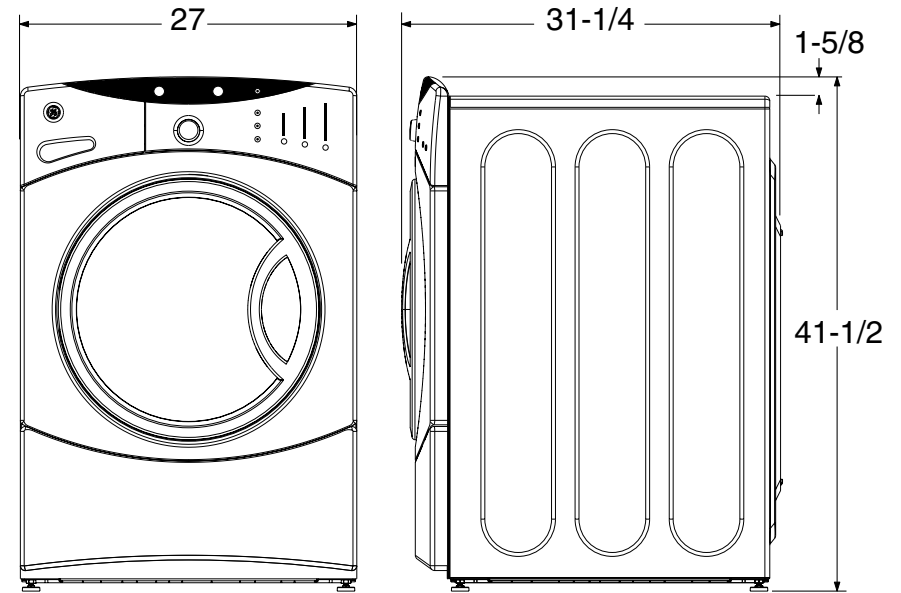
WBVH5100H

GE® ENERGY STAR® 3.6 IEC Cu. Ft. King-Size Capacity Frontload Washer with Stainless Steel Basket

Dimensions and Installation Information (in inches)

Electric Dryer Rating	
120V	12.0A, 60Hz

Installation Information: For complete information, see installation instructions packed with your washer.



For answers to your Monogram®, GE Profile™ or GE® appliance questions, visit our website at ge.com or call GE Answer Center® service, 800.626.2000.



Specification Revised 2/08

360466

WBVH5100H

GE® ENERGY STAR® 3.6 IEC Cu. Ft. King-Size Capacity Frontload Washer with Stainless Steel Basket

Special Installation Requirements:

Stacked Installation:

- Brackets for stacking dryer over washer are not included with the washer. Order part no. GEFLSTACK.

Alcove or Closet Installation:

- If your dryer is approved for installation in an alcove or closet, it will be stated on a label on the dryer back.
- The dryer MUST be exhausted to the outside.
- Minimum clearances between dryer cabinet and adjacent walls or other surfaces are: 0" either side, 3" front and rear
- Minimum vertical space from floor to overhead cabinets, ceilings, etc. is 52".
- Closet doors must be louvered or otherwise ventilated and must contain a minimum of 60 sq. in. of open area equally distributed. If this closet contains both a washer and a dryer, doors must contain a minimum of 120 sq. in. of open area equally distributed.
- No other fuel-burning appliance shall be installed in the same closet with a gas dryer.

Bathroom or Bedroom Installation:

- The dryer MUST be exhausted to the outdoors.
- The installation must conform with the local codes, or in the absence of local codes, with the National Fuel Gas Code, ANSI Z223.

Minimum Clearance other than Alcove or Closet Installations:

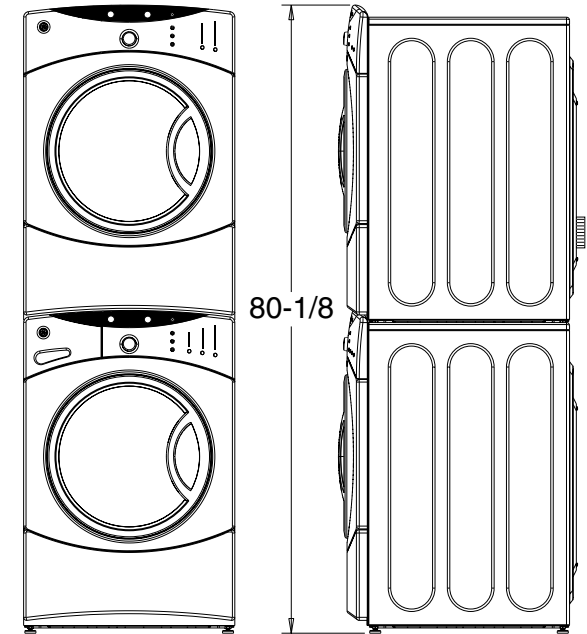
- Minimum clearances to combustible surfaces 0" both sides, 3" rear.

For more information on venting kits and accessories, please call 1-800-GE-CARES.

For answers to your Monogram®, GE Profile™ or GE® appliance questions, visit our website at ge.com or call GE Answer Center® service, 800.626.2000.



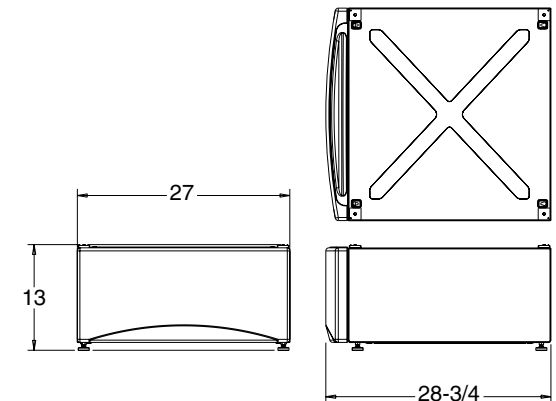
Stacked Dimensions (in inches)



Pedestal Dimensions (in inches)

SBSD137HWW - white

This optional 13" pedestal raises the door opening and height of the washer or dryer. Feet on 13" pedestal allow it to adjust to 13-3/8" height.



WBVH5100H

GE® ENERGY STAR® 3.6 IEC Cu. Ft. King-Size Capacity Frontload Washer with Stainless Steel Basket

Features and Benefits

- ENERGY STAR® Qualification - Means less energy waste and lower utility bills
- 3.6 Cu. Ft. IEC King-Size Capacity - Makes room for more items, such as a king-size comforter or 22 full-size bath towels
- Rotary Electronic Controls with LED and Adaptive Logic - Makes it simple to select and monitor wash cycles
- HydroMotion™ Wash Action - Reversing wash action offers great cleaning performance with gentle wash motion
- PerfectTemp™ - Regulates wash temperatures for fabric care
- Four Wash/Rinse Temperatures - Washer cleans at the exact temperature needed to remove dirt and reduce wear
- 1000 RPM Spin Speed - Extracts more water meaning less time in the dryer
- 14 Wash Cycles - A variety of fabric-specific settings, from Extra-Heavy Cottons to Easy-Care Colors
- Delay Start up to 10 Hours - Lets you do the laundry on your terms
- Speed Wash - Delivers ready-to-go results within minutes
- Quiet-By-Design™ - Engineered for quiet operation
- Five Wash/Spin Speed Combinations - Speeds are matched to fabric type for better clothes care
- Model WBVH5100HWW – White on white



imagination at work

Free Manuals Download Website

<http://myh66.com>

<http://usermanuals.us>

<http://www.somanuals.com>

<http://www.4manuals.cc>

<http://www.manual-lib.com>

<http://www.404manual.com>

<http://www.luxmanual.com>

<http://aubethermostatmanual.com>

Golf course search by state

<http://golfingnear.com>

Email search by domain

<http://emailbydomain.com>

Auto manuals search

<http://auto.somanuals.com>

TV manuals search

<http://tv.somanuals.com>