

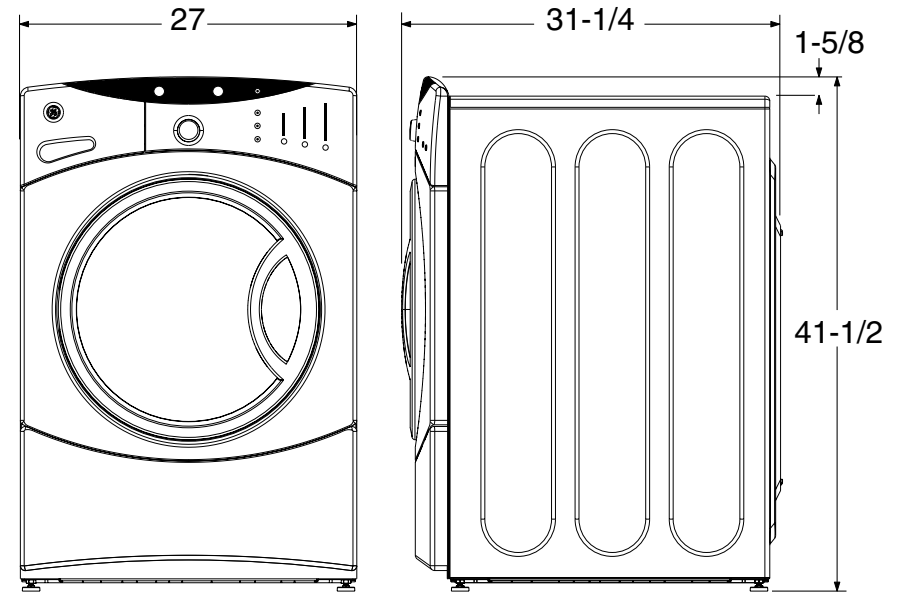
# WBVH5200J

## GE® ENERGY STAR® 3.8 IEC Cu. Ft. King-Size Capacity Frontload Washer with Stainless Steel Basket

### Dimensions and Installation Information (in inches)

| Electric Dryer Rating |             |
|-----------------------|-------------|
| 120V                  | 12.0A, 60Hz |

**Installation Information:** For complete information, see installation instructions packed with your washer.



For answers to your Monogram®, GE Profile™ or GE® appliance questions, visit our website at [ge.com](http://ge.com) or call GE Answer Center® service, 800.626.2000.



Specification Revised 1/08

360467

# WBVH5200J

## GE® ENERGY STAR® 3.8 IEC Cu. Ft. King-Size Capacity Frontload Washer with Stainless Steel Basket

### Special Installation Requirements:

#### Stacked Installation:

- Brackets for stacking dryer over washer are not included with the washer. Order part no. WE25X10018.

#### Alcove or Closet Installation:

- If your dryer is approved for installation in an alcove or closet, it will be stated on a label on the dryer back.
- The dryer MUST be exhausted to the outside.
- Minimum clearances between dryer cabinet and adjacent walls or other surfaces are: 0" either side, 3" front and rear
- Minimum vertical space from floor to overhead cabinets, ceilings, etc. is 52".
- Closet doors must be louvered or otherwise ventilated and must contain a minimum of 60 sq. in. of open area equally distributed. If this closet contains both a washer and a dryer, doors must contain a minimum of 120 sq. in. of open area equally distributed.
- No other fuel-burning appliance shall be installed in the same closet with a gas dryer.

#### Bathroom or Bedroom Installation:

- The dryer MUST be exhausted to the outdoors.
- The installation must conform with the local codes, or in the absence of local codes, with the National Fuel Gas Code, ANSI Z223.

#### Minimum Clearance other than Alcove or Closet Installations:

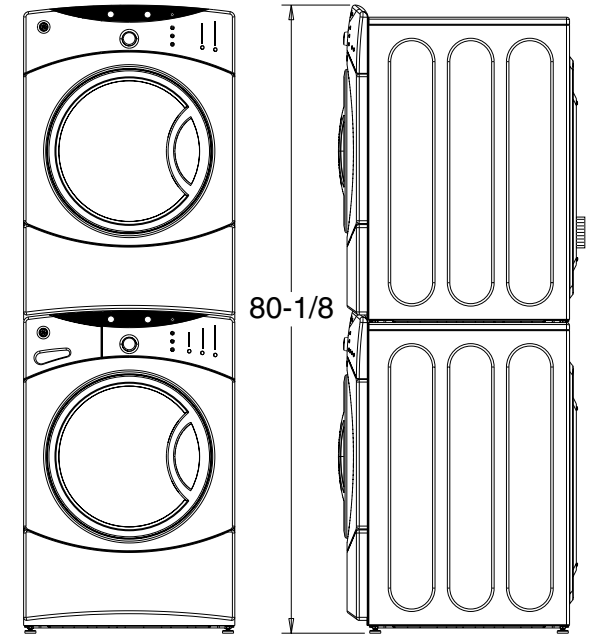
- Minimum clearances to combustible surfaces 0" both sides, 3" rear.

For more information on venting kits and accessories, please call 1-800-GE-CARES.

For answers to your Monogram®, GE Profile™ or GE® appliance questions, visit our website at [ge.com](http://ge.com) or call GE Answer Center® service, 800.626.2000.



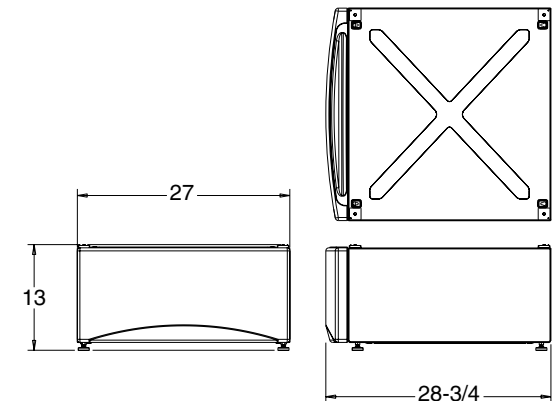
### Stacked Dimensions (in inches)



### Pedestal Dimensions (in inches)

#### SBSD137HWW - white

This optional 13" pedestal raises the door opening and height of the washer or dryer. Feet on 13" pedestal allow it to adjust to 13-3/8" height.

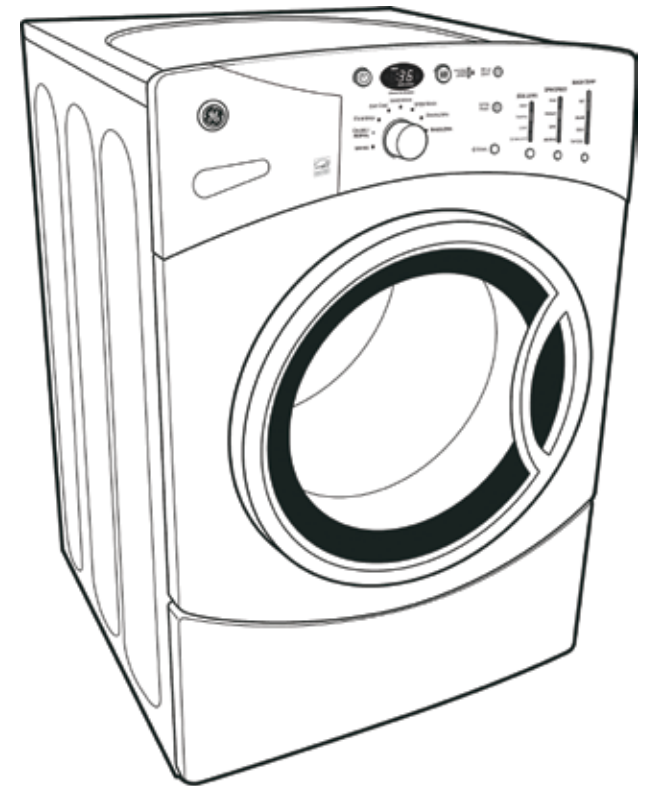


# WBVH5200J

## GE® ENERGY STAR® 3.8 IEC Cu. Ft. King-Size Capacity Frontload Washer with Stainless Steel Basket

### Features and Benefits

- ENERGY STAR® Qualification - Means less energy waste and lower utility bills
- 3.8 Cu. Ft. IEC King-Size Capacity - Makes room for more items, such as a king-size comforter
- Rotary Electronic Controls with LED and Adaptive Logic - Makes it simple to select and monitor wash cycles
- HydroMotion™ Wash Action - Reversing wash action offers great cleaning performance with gentle wash motion
- PerfectTemp - Regulates wash water temperatures for proper fabric care
- Four Wash/Rinse Temperatures - Washer cleans at the exact temperature needed to remove dirt and reduce wear
- 1000 RPM Spin Speed - Extracts more water meaning less time in the dryer
- 14 Wash Cycles - A variety of fabric-specific settings, from Extra-Heavy Cottons to Easy-Care Colors
- Delay Start - Lets you do the laundry on your terms
- Speed Wash - Delivers ready-to-go results within minutes
- Quiet-By-Design™ - Engineered for quiet operation
- 5 Wash/Spin Speed Combinations
- Model WBVH5200JWW - White on white



imagination at work

Specification Revised 1/08

360467

## Free Manuals Download Website

<http://myh66.com>

<http://usermanuals.us>

<http://www.somanuals.com>

<http://www.4manuals.cc>

<http://www.manual-lib.com>

<http://www.404manual.com>

<http://www.luxmanual.com>

<http://aubethermostatmanual.com>

Golf course search by state

<http://golfingnear.com>

Email search by domain

<http://emailbydomain.com>

Auto manuals search

<http://auto.somanuals.com>

TV manuals search

<http://tv.somanuals.com>