



Water Filtration System

Safety Instructions2

System Overview3-7

Installation Instructions8-14

Battery Installation13

Faucet Installation9, 10

Filter Replacement14

Flush Procedure14

Installing the Tubing13

System Installation11, 12

Water Supply8, 9

Troubleshooting Tips15

Consumer Support16



GXSL55R is Tested and Certified by NSF International against NSF/ANSI Standard 42 for the reduction of Chlorine: Taste and Odor and Particulate Class I and Standard 53 for the reduction of Lead, Cyst, Turbidity, Asbestos, Mercury, Lindane, Atrazine, Toxaphene and 2,4-D.

GXSV65R is Tested and Certified by NSF International against NSF/ANSI Standard 42 for the reduction of Chlorine: Taste and Odor and Particulate Class I and Standard 53 for the reduction of Lead, Cyst, Turbidity, Asbestos, Mercury, Lindane, Atrazine, Benzene and VOC.

Owner's Manual and Installation Instructions

GXSL55R
GXSV65R

Systeme de filtration d'eau

Manuel d'utilisation et d'installation

La section française commence à la page 17

Sistema de filtración de agua

Manual del propietario y instalación

La sección en español empieza en la página 33

IMPORTANT SAFETY INFORMATION.

▲ WARNING: Read entire manual. Failure to follow all guides and rules could cause personal injury or property damage.

■ Check with your local public works department for plumbing codes. You must follow their guidelines as you install the Water Filtration system.

SAFETY PRECAUTIONS

■ Use the Water Filtration system on a potable, safe-to-drink, home *COLD* water supply only. The filter canisters will not purify the water, or make it safe to drink.

■ **Do not** use on a hot water supply (100°F max.). Install on cold water line only.

▲ WARNING: *Do not use with water that is microbiologically unsafe or of unknown quality without adequate disinfection before or after the system. Systems certified for cyst reduction may be used on disinfected water that may contain filterable cysts.*

PROPER INSTALLATION

This Water Filtration system must be properly installed and located in accordance with the Installation Instructions before it is used.

▲ CAUTION: To reduce the risk of property damage due to water leakage, install or store where it will not be exposed to temperatures below freezing or exposed to any type of weather. Water freezing in the system may damage it and may result in water leakage, damaging property. Change filter out if it was exposed to freezing temperatures. Do not attempt to treat water over 100°F.

▲ WARNING: *Discard all unused and packaging material after installation. Small parts remaining after installation could be a choke hazard.*

■ Your Water Filtration system will withstand up to 120 pounds per square inch (psi) water pressure. If your house water supply pressure is higher than 80 psi, install a pressure reducing valve before installing the Water Filtration system.

READ AND FOLLOW THIS SAFETY INFORMATION CAREFULLY.

SAVE THESE INSTRUCTIONS

Specifications Guidelines.

Many bad tastes and/or odors are removed from water using activated carbon filter canisters. They are most often used to remove a chlorine taste and odor. They can also reduce other undesirable elements from drinking water supplies, such as organic chemical contaminants and lead.

NOTE: *Small amounts of hydrogen sulfide (noticeable as "rotten egg" odor) may be reduced by taste and odor filters for a short time, but the carbon media is quickly exhausted. Other water conditioning equipment is usually required for the continuous treatment of hydrogen sulfide.*

The Water Filtration System Uses the Following Canisters

Model GXSL55R

FQSLF Filter

(1200 gallon capacity)

Filter—White canisters with yellow band

- Reduces dirt, rust and sediment
- Reduces Chlorine: Taste and Odor
- Reduces Lead
- Reduces filterable Cysts (such as cryptosporidium and giardia)
- Reduces Turbidity
- Reduces Asbestos
- Reduces Mercury
- Reduces Lindane
- Reduces Atrazine
- Reduces Toxaphene
- Reduces 2,4-D
- 0.5–1 micron nominal particulate reduction

This system conforms to NSF/ANSI 42 and 53 for the specific performance claims as verified and sustained by test data. See Performance Data Sheet for details.



Specifications Guidelines.

The Water Filtration System Uses the Following Canisters

Model GXSV65R

FQSVF Filter

(160 gallon capacity)

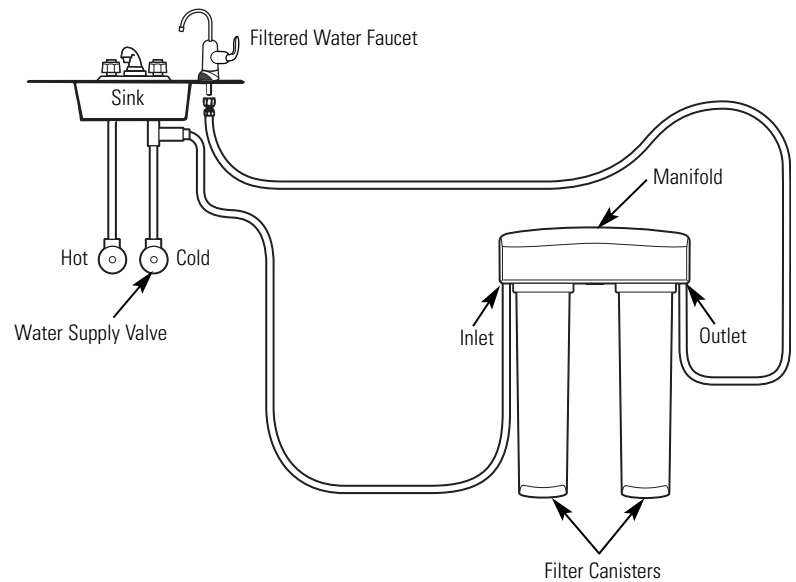
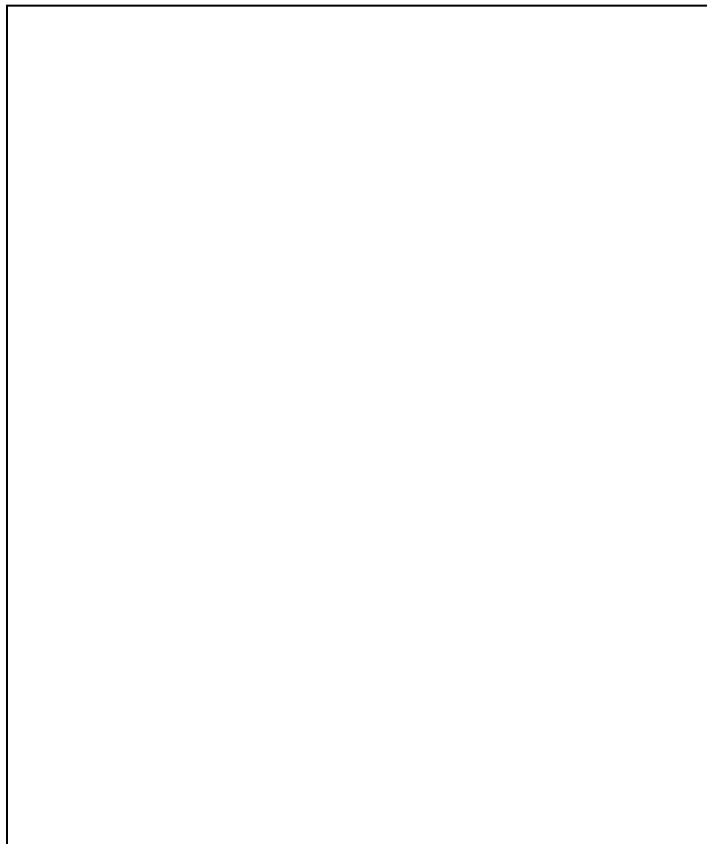
Filter—White canisters with green band

- Reduces dirt, rust and sediment
- Reduces Chlorine: Taste and Odor
- Reduces Lead
- Reduces filterable Cysts (such as cryptosporidium and giardia)
- Reduces Turbidity
- Reduces Asbestos
- Reduces Mercury
- Reduces Lindane
- Reduces Atrazine
- Reduces Benzene
- Reduces VOC
- 0.5–1 micron nominal particulate reduction

This system conforms to NSF/ANSI 42 and 53 for the specific performance claims as verified and sustained by test data. See Performance Data Sheet for details.

Installation Overview

Locate the drinking water system on the cold water supply pipe, under the kitchen and/or bathroom sink, to filter the cold drinking water.



Performance Data Sheet.

SmartWater Filtration System GXSL55R Using Filter FQSLF

■ This System has been tested according to NSF/ANSI 42 and 53 for the reduction of the substances listed below. The concentration of the indicated substances in water entering the system was reduced to a concentration less than or equal to the permissible limit for water leaving the system, as specified in NSF/ANSI 42 and 53.

■ Actual performance may vary with local water conditions.

▲ WARNING: Do not use with water that is microbiologically unsafe or with water of unknown quality without adequate disinfection before or after the system. Systems certified for cyst reduction may be used on disinfected waters that may contain filterable cysts.

Standard No. 42: Aesthetic Effects								
Parameter	USEPA MCL	Influent Challenge Concentration	Influent Average	Effluent		% Reduction		Min. Required Reduction
				Average	Maximum	Average	Minimum	
Chlorine	—	2.0 mg/L + 10%	2.00 mg/L	0.050625 mg/L	0.06 mg/L	97.52%	97.00%	>50%
T & O	—	—	—	—	—	—	—	—
Nominal Particulate**	—	at least 10,000 particles/mL	14,000,000 #/mL	196,666 #/mL	370,000 #/mL	99.00%	97.40%	>85%
Standard No. 53: Health Effects								
Parameter	USEPA MCL	Influent Challenge Concentration	Influent Average	Effluent		% Reduction		Min. Required Reduction
				Average	Maximum	Average	Minimum	
Turbidity	0.5 NTU***	11 + 1 NTU***	10.5 NTU	0.125 NTU	0.30 NTU	98.80%	97.30%	0.5 NTU
Cysts	99.95% red.	Minimum 50,000 L	122,500 #/L	<1 #/L	<1 #/L	>99.99%	>99.99%	>99.95%
Asbestos	99% red.	10 ⁷ and 10 ⁸ ; fibers >10 micrometers long	126.5 MF/L	<.17 MF/L	<.17 MF/L	>99.99%	>99.99%	>99%
Lead, pH 6.5	0.010 mg/L	0.015 mg/L + 10%	0.150 mg/L	<0.001 mg/L	<0.001 mg/L	>99.30%	>99.30%	0.010 mg/L
Lead, pH 8.5	0.010 mg/L	0.015 mg/L + 10%	0.150 mg/L	<0.001 mg/L	<0.001 mg/L	>99.30%	>99.30%	0.010 mg/L
Mercury, pH 6.5	0.002 mg/L	0.006 mg/L ± 10%	0.006 mg/L	0.0003 mg/L	0.0005 mg/L	95.00%	91.70%	0.002 mg/L
Mercury, pH 8.5	0.002 mg/L	0.006 mg/L ± 10%	0.0059 mg/L	0.00073 mg/L	0.0018 mg/L	88.10%	69.20%	0.002 mg/L
Atrazine	0.003 mg/L	0.009 mg/L + 10%	0.0102 mg/L	0.00105 mg/L	0.0027 mg/L	89.40%	76.30%	0.003 mg/L
Lindane	0.0002 mg/L	0.002 mg/L + 10%	0.0019 mg/L	0.000035 mg/L	0.00016 mg/L	97.90%	91.80%	0.0002 mg/L
2,4-D	0.07 mg/L	0.200 mg/L ± 10%	0.2005 mg/L	0.017575 mg/L	0.064 mg/L	84.90%	69.00%	0.07 mg/L
Toxaphene	0.003 mg/L	0.015 ± 10%	0.015 mg/L	<0.001 mg/L	<0.001 mg/L	>93.30%	>93.30%	0.003 mg/L

*Tested using a flow rate of 0.78 gpm (2.95 l/min); pressure of 60 psig; pH of 7.5 ± 0.5; temp. of 68° ± 5°F (20° ± 3°C)

**Measurement in particles/mL. Particles used were 0.5–1 microns.

***NTU—Nephelometric Turbidity Units

Operating Specifications

Capacity: certified for up to 1200 gallons (4,542 l); up to six months

Pressure requirement: 35–120 psi (2.8–8.2 bar)

Temperature: 33–100°F (0.6–38°C)

Flow rate: 0.78 gpm (2.95 l/min)

Replacement Filter Canisters/Estimated Replacement Costs

FQSLF—Replacement filter canister \$30–35

For replacement parts, call toll-free 800.626.2002 (U.S.), 800.663.6060 (Canada–English), 800.361.3869 (Canada–French)

Performance Data Sheet.

SmartWater Filtration System GXSV65R Using Filter FQSVF

■ This System has been tested according to NSF/ANSI 42 and 53 for the reduction of the substances listed below. The concentration of the indicated substances in water entering the system was reduced to a concentration less than or equal to the permissible limit for water leaving the system, as specified in NSF/ANSI 42 and 53.

■ Actual performance may vary with local water conditions.

▲ WARNING: Do not use with water that is microbiologically unsafe or with water of unknown quality without adequate disinfection before or after the system. Systems certified for cyst reduction may be used on disinfected waters that may contain filterable cysts.

Standard No. 42: Aesthetic Effects								
Parameter	USEPA MCL	Influent Challenge Concentration	Influent Average	Effluent		% Reduction		Maximum Permissible Product Water Concentration
				Average	Maximum	Average	Minimum	
Chlorine	—	2.0 mg/L + 10%	2.00 mg/L	<0.05 mg/L	<0.05 mg/L	>97.50%	>97.50%	>50%
T & O	—	—	—	—	—	—	—	—
Particulate**	—	> 10,000 particles/mL	4,100,000 #/mL	76,500 #/mL	110,000 #/mL	98.10%	97.30%	>85%
Standard No. 53: Health Effects								
Turbidity	0.5 NTU***	11 + 1 NTU***	11.00 NTU	0.1 NTU	0.1 NTU	98.80%	98.20%	0.5 NTU
Cysts	99.95% red.	Min. 50,000/L	140,000 #/L	1 #/L	1 #/L	>99.99%	>99.99%	99.95%
Asbestos	99% red.	—	280 MF/L	<0.17 MF/L	<0.17 MF/L	>99.00%	>99.00%	99%
Lead, pH 6.5	0.010 mg/L	0.15 mg/L + 10%	0.150 mg/L	<0.001 mg/L	<0.001 mg/L	>99.30%	>99.30%	0.01 mg/L
Lead, pH 8.5	0.010 mg/L	0.15 mg/L + 10%	0.140 mg/L	<0.001 mg/L	<0.001 mg/L	>99.30%	>99.30%	0.01 mg/L
Mercury, pH 6.5	0.002 mg/L	0.006 mg/L ± 10%	0.0065 mg/L	<0.0002 mg/L	<0.0002 mg/L	96.60%	>96.70%	0.002 mg/L
Mercury, pH 8.5	0.002 mg/L	0.006 mg/L ± 10%	0.0059 mg/L	<0.0002 mg/L	<0.0002 mg/L	96.60%	>96.70%	0.002 mg/L
Lindane	0.0002 mg/L	0.002 mg/L ± 10%	0.00193 mg/L	<0.00002 mg/L	0.00005 mg/L	>98.80%	98.80%	0.0002 mg/L
Benzene	0.001 mg/L	0.015 mg/L ± 10%	0.014 mg/L	<0.0005 mg/L	<0.0005 mg/L	>96.40%	>96.40%	0.005 mg/L
Atrazine	0.003 mg/L	0.009 mg/L ± 10%	0.00873 mg/L	<0.0005 mg/L	<0.0005 mg/L	>94.10%	>94.10%	0.003 mg/L
VOC Reduction								
Chloroform	0.080 mg/L	0.300 ± 10%	0.340 mg/L	0.00098 mg/L	0.00620 mg/L	97.90%	98.20%	95%

*Tested using a flow rate of 0.60 gpm (2.27 l/min); pressure of 60 psig; pH of 7.5 ± 0.5; temp. of 68° ± 5°F (20° ± 3°C)

**Measurement in particles/mL. Particles used were 0.5–1 microns.

***NTU—Nephelometric Turbidity Units / NTU—unités de turbidité néphélométrique

Operating Specifications / Spécifications d'opération

Capacity: certified for up to 160 gallons (605 l); up to six months

Pressure requirement: 35–120 psi (2.8–8.2 bar)

Temperature: 33–100°F (0.6–38°C)

Flow rate: 0.60 gpm (2.27 l/min)

Replacement Filter Canisters/Estimated Replacement Costs

FQSVF—Replacement filter canister \$35–40

For replacement parts, call toll-free 800.626.2002 (U.S.),
800.663.6060 (Canada–English), 800.361.3869 (Canada–French)

Performance Data Sheet.

Organic Chemicals Reduced by Chloroform Surrogate Testing

Contaminant	Avg. ¹ Influent (µg/L) ²	Max. Effluent (µg/L) ²	Contaminant	Avg. ¹ Influent (µg/L) ²	Max. Effluent (µg/L) ²
Alachlor	50	1.0 ³	Haloketones (HK):		
Atrazine	100	3.0 ³	1,1-dichloro-2-propanone	7.2	0.1 ⁴
Benzene	81	1.0 ³	1,1,1-trichloro-2-propanone	8.2 ⁶	0.3 ⁴
Carbofuran	190	1.0 ³	Heptachlor (H-34, Heptox)	80	0.4 ³
Carbon Tetrachloride	78	1.8 ⁴	Heptachlor Epoxide	10.7 ⁶	0.2 ⁶
Chlorobenzene	77	1.0 ³	Hexachlorobutadiene	44	1.0 ³
Chloropicrin	15	0.2 ⁴	Hexachlorocyclopentadiene	60	0.002 ³
2,4-D	110	1.7 ⁴	Lindane	55	0.01 ³
Dibromochloropropane (DBCP)	52	0.02 ³	Methoxychlor	50	0.1 ³
o-Dichlorobenzene	80	1.0 ³	Pentachlorophenol	96	1.0 ³
p-Dichlorobenzene	40	1.0 ³	Simazine	120	4.0 ³
1,2-Dichloroethane	88	4.8 ⁵	Styrene	150	0.5 ³
1,1-Dichloroethylene	83	1.0 ³	1,1,2,2-Tetrachloroethane	81	1.0 ³
cis-1,2-Dichloroethylene	170	0.5 ³	Tetrachloroethylene	81	1.0 ³
trans-1,2-Dichloroethylene	86	1.0 ³	Toluene	78	1.0 ³
1,2-Dichloropropane	80	1.0 ³	2,4,5-TP (silvex)	270	1.6 ³
cis-1,3-Dichloropropylene	79	1.0 ³	Tribromoacetic acid	42	1.0 ³
Dinoseb	170	0.2 ⁴	1,2,4-Trichlorobenzene	160	0.5 ³
Endrin	53	0.59 ⁴	1,1,1-Trichloroethane	84	4.6 ⁴
Ethylbenzene	88	1.0 ³	1,1,2-Trichloroethane	150	0.5 ³
Ethylene Dibromide (EDB)	44	0.02 ³	Trichloroethylene	180	1.0 ³
Haloacetonitriles (HAN):			Trihalomethanes (includes):	300	15
Bromochloroacetonitrile	22	0.5 ⁴	Chloroform (surrogate chemical)		
Dibromoacetonitrile	24	0.6 ⁴	Bromoform		
Dichloroacetonitrile	9.6	0.2 ⁴	Bromodichloromethane		
Trichloroacetonitrile	15	0.3 ⁴	Chlorodibromomethane		
			Xylenes (total)	70	1.0 ³

¹ Influent challenge levels are average influent concentrations determined in surrogate qualification testing.

² µg/L means Micrograms Per Liter.

³ Maximum product water level was not observed but was set at the detection limit of the analysis.

⁴ Maximum product level is set at a value determined in surrogate qualification testing.

⁵ Chemical reduction percent and maximum product water level calculated at chloroform 95% breakthrough point as determined in surrogate qualification testing.

⁶ The surrogate test results for heptachlor Epoxide demonstrated a 98% reduction. These data were used to calculate an upper occurrence concentration, which would produce a maximum product water level at the MCL.

Testing was performed under standard laboratory conditions; actual performance may vary.

NOTE: Substances reduced are not necessarily in your water. Filter must be maintained according to manufacturer's instructions, including replacement of filter cartridges.

▲ WARNING: Do not use with water that is microbiologically unsafe or of unknown quality without adequate disinfection before or after the system. Systems certified for cyst reduction may be used on disinfected waters that contain filterable cysts.

Installation Instructions

Faucet Mount Filtration System –

GXSL55R and GXSV65R

IMPORTANT INSTALLATION RECOMMENDATIONS

⚠ WARNING – Read entire manual. Failure to follow all guides and rules could cause personal injury or property damage.

- Check with your local public works department for plumbing codes. You must follow their guides as you install the Water Filtration system.

TOOLS AND MATERIALS REQUIRED FOR INSTALLATION

- Phillips screwdriver
- Two (2) adjustable wrenches
- Electric drill and drill bit to drill 1" hole (type as required) if mounting hole is needed for faucet
- Tape measure
- If your main water line is a rigid pipe, you will require a compression fitting and possibly other plumbing hardware to complete the installation.

⚠ CAUTION – To avoid damaging the sink, consult a qualified plumber or installer for drilling procedures. Special drill bits may be needed for porcelain or stainless steel.

CONTENTS INCLUDED WITH THE PRODUCT

- Water filter system assembly, including mounting screws
- Feed water adapter
- Faucet assembly with electronic base monitor and tubing

COLD WATER SUPPLY FITTING

A. PREFERRED INSTALLATION

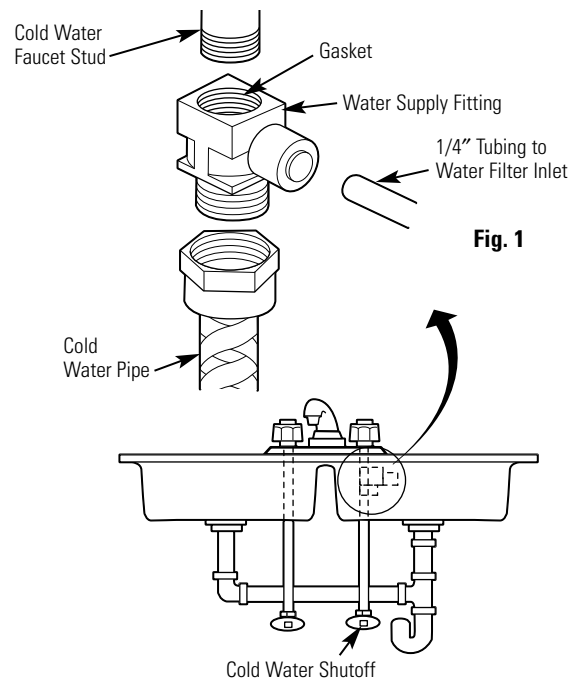
(Utilizing existing kitchen sink water supply valve and flexible faucet tubing)

A typical connection using the included water supply fitting is shown in the illustration below.

1. Close the water shut-off valve that is immediately in front of the supply tube and open the faucets to drain water from the sink cold water pipe.
2. Remove the nut that connects the cold water faucet to the supply tube. Some water may spill out.

NOTES:

- Be sure to turn off the water supply and open a faucet to drain the pipe.
- Make sure the gasket is installed in the water supply fitting.



3. Hand-tighten the water supply fitting onto the cold water faucet. Be sure the gasket, as shown, is in place before final assembly. Finish tightening with an adjustable wrench. **Be careful not to overtighten or cross-thread, as damage to the threads can occur.** Make sure the 1/4" quick connection is not against a wall that causes the supply tubing connection to bend. A quarter turn to tighten or loosen the adapter may be necessary to avoid this.
4. Reconnect faucet tubing line to the fitting.
5. Install tubing. (See Installing the Tubing section.)

Installation Instructions

COLD WATER SUPPLY FITTING (CONT.)

B. OPTIONAL HOME INSTALLATION

(Where codes permit)

Saddle Valve: Saddle valve must be able to connect with 1/4-inch tubing supplied with the system. Not supplied with product; check your local hardware or home service store for product. Saddle valve typically requires 1/2" OD tubing or larger.

NOTE: Codes in the state of Massachusetts require installation by a licensed plumber and do not permit the use of the saddle valve. For installation, use plumbing code 248-CMR of the Commonwealth of Massachusetts.

1. Turn off the cold water supply and install saddle valve as required by product selection. (Be sure to follow manufacturer's installation instructions.)

⚠ DANGER — If hole is required to be drilled in pipe, to protect yourself from serious injury or fatal shock, use a battery-powered hand drill only to make the hole. DO NOT USE AN ELECTRIC DRILL.

2. Open saddle valve after complete system has been installed.

C. OPTIONAL INSTALLATION

(For installation with rigid pipe between supply valve and sink faucet)

Option 1

1. Remove pipe from supply valve and sink faucet.
2. Obtain flexible pipe sized to your plumbing.
3. Install flexible pipe.
4. Go back to A. Preferred Installation section step 3.

Option 2

1. Obtain compression fittings to fit rigid pipe.
2. Obtain any other fittings required to connect compression fittings to feed water adapter.
3. Remove pipe from supply valve.
4. Cut pipe to fit length of assembled fittings and adapter.
5. Install compression fitting to pipe.
6. Go back to A. Preferred Installation section step 3.

NOTE: Above described materials are not included with the product.

INSTALL THE FAUCET

Be sure there is room underneath and above the sink to make the needed connections. Before starting, make sure there is sufficient room for the faucet base and unit. Select one of the following places to install the faucet:

- A. In an existing sink spray attachment or soap dispenser hole.
- B. In a hole to be drilled in the sink top.
- C. In a hole to be drilled in the countertop, next to the sink.

NOTES:

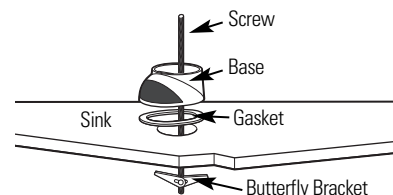
- Be sure the faucet base will fit flat against the surface at the selected location so the bottom gasket between the base and surface area will seal.
- Make sure to leave enough clearance at the back of the faucet in case you need to remove it.

Installation Steps (refer to illustration below for clarification)

1. If drilling is needed, make a 1" diameter hole. **Be sure to use the proper procedure for drilling porcelain or stainless steel. Special drill bits may be needed. Consult a qualified plumber for the proper procedure.**

⚠ CAUTION: When drilling in Stainless Steel, edges may be sharp and could puncture the tube. Be careful to not cut yourself or damage the tube.

2. Remove the faucet body and base by turning the base counterclockwise.
3. Remove the butterfly bracket from the screw. Then insert the screw into the top of the base and reattach the butterfly bracket.
4. Align the gasket to cover the hole completely. Then place the butterfly bracket on the base into the hole.

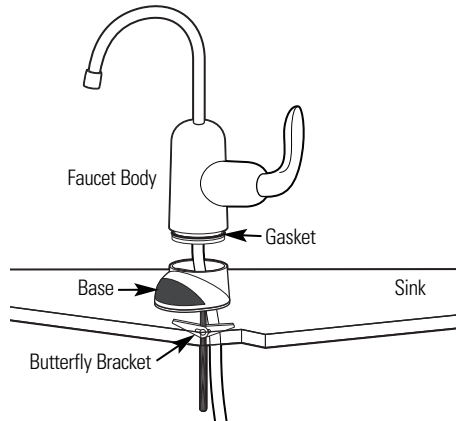


5. Tighten the screw to secure the butterfly bracket to the underside of the sink top. The base should be firmly in place and should not wobble or turn.

Installation Instructions

INSTALL THE FAUCET (CONT.)

6. Feed the water tube up through the faucet base. Then push the tube into the fitting on the bottom of the faucet body. It should go in about 3/4". Pull tube slightly to make sure it is secure.

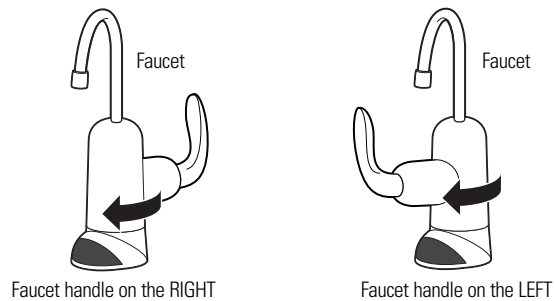


7. Push the faucet body down into the faucet base and twist clockwise until it clicks into place.

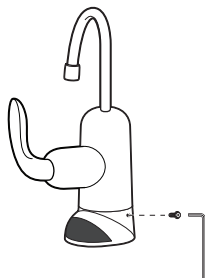
NOTE: You can install the faucet so the handle is on the right or the left side.

If you want the faucet handle on the right, position the handle at the back of the faucet base before turning clockwise.

If you want the faucet handle on the left, position the handle at the front of the faucet base before turning clockwise.



7. Locate the hole at the rear of the base. Insert set screw and begin to tighten by hand. Finish tightening with the allen wrench provided in the packet.



Installation Instructions

MOUNTING SYSTEM INSTALLATION

Pick a location under the sink to mount the system. Location should be easily accessible, with clearance between the bottom of the filter canisters and the floor or bottom of the cabinet; any less will result in difficulty of removing filter canisters (see Fig. 5). Allow enough space on either side of the system for the tubing connections.

SCREW INSTALLATION

1. Remove this template from the manual for easier installation.
2. The top of the template openings should be placed a minimum of 17 inches above the bottom of the cabinet or floor where the system is to be mounted (Fig. 4 and 5). **NOTE:** Any distance lower may result in filter canisters interfering with the floor when removed.
3. Tape template to wall, then mark the wall where the screws are to be installed.

Install screws into the wall, leaving 3/16 inch clearance between the head of the screw and wall (drill pilot holes if needed) (Fig. 6).

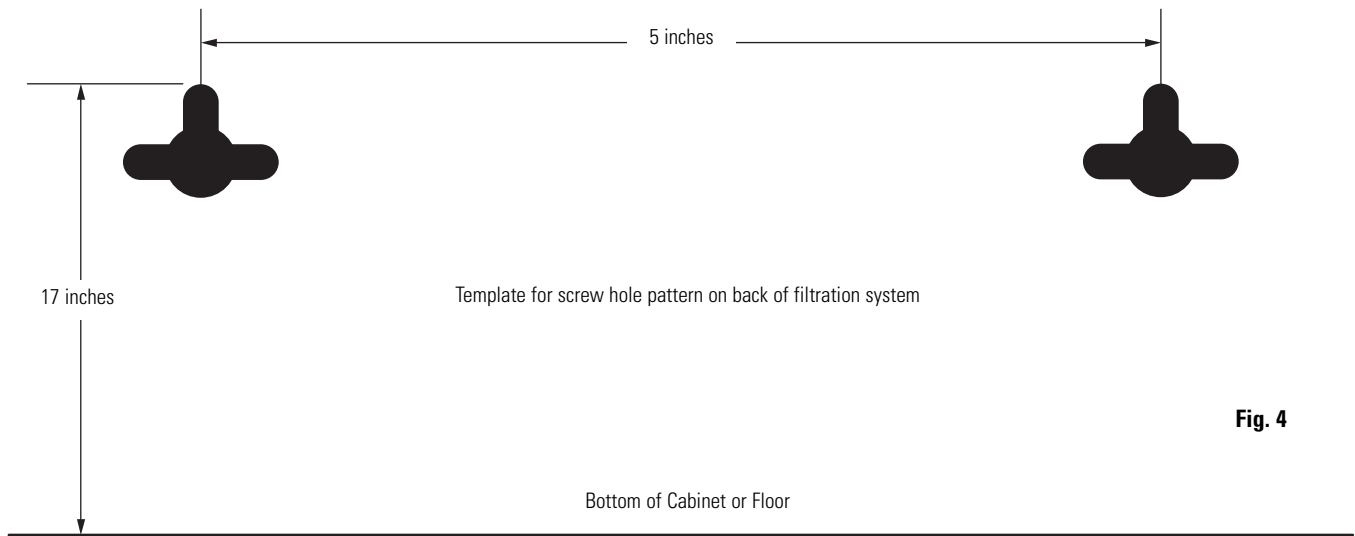


Fig. 4

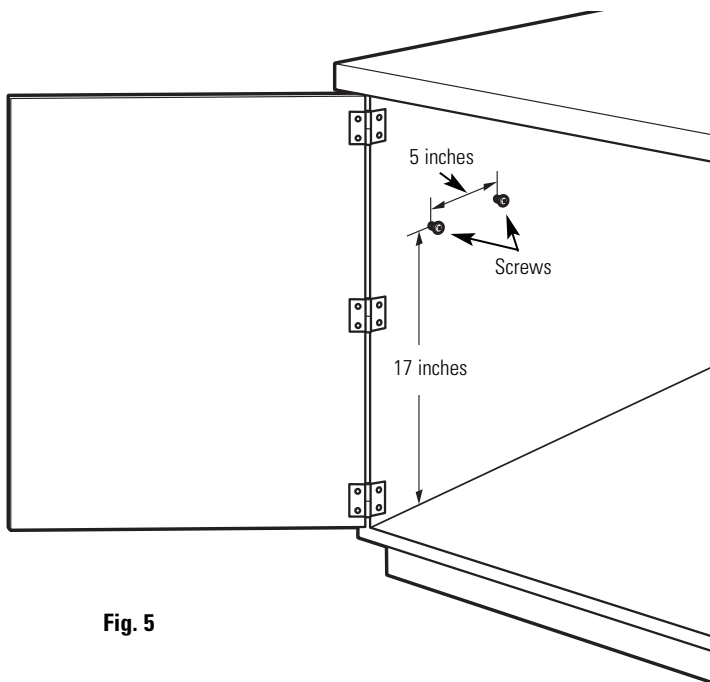


Fig. 5

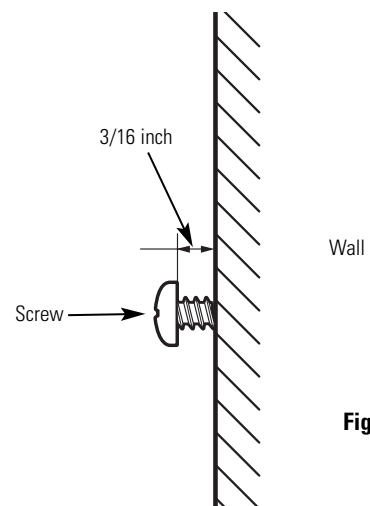


Fig. 6

Installation Instructions

MOUNTING SYSTEM INSTALLATION (CONT.)

Mounting System to Screws Installed in Wall

1. Remove shrink wrap from filter system.
2. Hang the system on the previously installed screws using the openings on the back of the unit (Fig. 7).
3. If the head of the screw will not slide into the upper slot, back out the screw by 1/4 turn and try again.
4. If the system is too loose when placed on the wall, tighten the screws by 1/4 turn and try again until a desired fit is achieved.

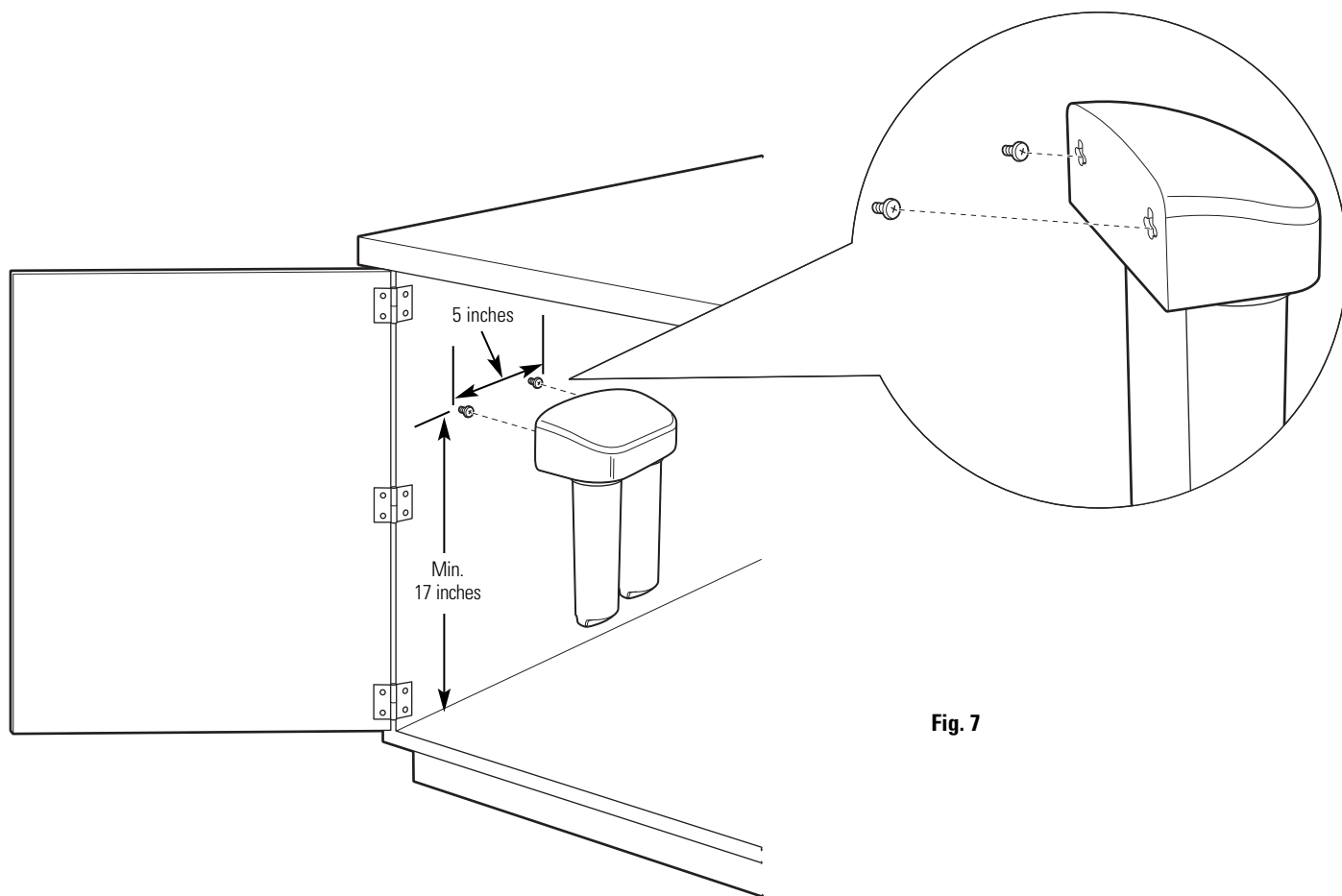


Fig. 7

Installation Instructions

INSTALLING THE TUBING

1. Measure $\frac{3}{4}$ " from the end of each remaining piece of tubing (faucet end and inlet end) and mark with a pencil (Fig. 8). (Check for roundness, smoothness, cuts, nicks, flat spots and sharp edges. It may be necessary to recut the tubing.)

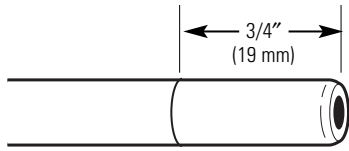
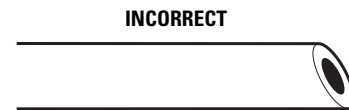
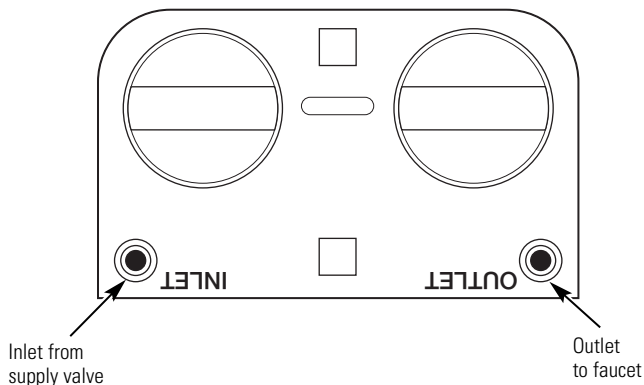


Fig. 8



2. Locate fittings for tubing on bottom of manifold.



3. **NOTE: Water flow is from left to right. Water inlet is on the left side and water outlet is on the right side. Failure to follow will result in water leaks when filter canisters are removed.**

4. Push the tubing firmly into each fitting on the manifold until the line is flush with the fitting collar. (If the tubing is removed, re-cut the end, measure, mark and re-insert). Tubing must be fully inserted to avoid leaks (Fig. 9). **(To remove tubing, depress and hold white collet; pull tubing out to remove.)**

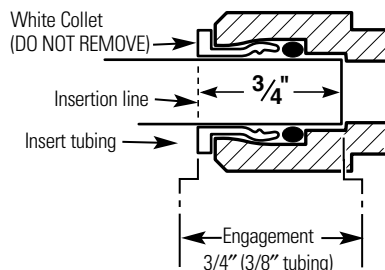


Fig. 9

INSTALLING THE TUBING (CONT.)

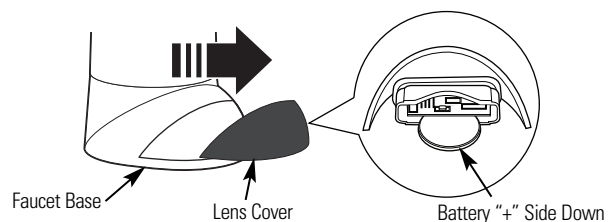
5. Pull out slightly on tubing to ensure a good seal.
6. Install the other end of the tubing from the inlet side of the manifold to the feed water adapter.

NOTE: Inspect the ends of the tubing to be sure there are no imperfections and that the end of the tubing is cut square. It may be necessary to cut the tubing again.

INSTALL THE BATTERY

1. Remove the lens cover from the faucet base. Grip it from both sides and pull forward.
2. Install one CR2032 3V battery with the "+" side down into the battery tray.
3. The amber LED light will flash 5 times, indicating a proper installation and system reset. If the amber light does not flash, check the position of the battery and make sure it is installed correctly.
4. Slide the lens cover back into the faucet base.
5. Normally, the light is off. After 6 months of use, the amber LED light will flash every 30 seconds, indicating the time to replace the filter canister.

NOTE: The amber LED light may stop blinking if it is allowed to blink for an extended period of time. To ensure proper operation, the battery should be replaced with every filter change.



Installation Instructions

REPLACING THE FILTER CANISTERS

The amber light in the faucet base will flash every 30 seconds to indicate a filter change is needed. This occurs every 6 months. TO PROPERLY MAINTAIN SYSTEM, CHANGE FILTER AS REQUIRED.

1. Remove the filter canisters from the manifold by rotating the canisters to the left about 1/3 turn (Fig. 11). **NOTE:** A small amount of water from the tubing between the filter and the faucet may come out. A small towel should be able to catch it.
 2. Remove foil on top of new replacement filter canisters. Install the new canisters into the manifold by turning to the right about 1/3 turn until the alignment marks line up and the filter stops. **DO NOT OVERTIGHTEN.** The filter will rise up as it is turned.
 3. Turn handle on faucet to allow trapped air to purge from the system.
- NOTE: System may make noise during this procedure.**
4. Check for water leaks around the system.
 5. Once water starts to flow out of the faucet, allow the system to run for 4 gallons (or 5 minutes) to flush out any harmless carbon fines that may be present.
 6. Turn off faucet and check around system for leaks.
 7. Remove battery tray and replace battery to reset timer. (See Battery Installation for proper procedure).

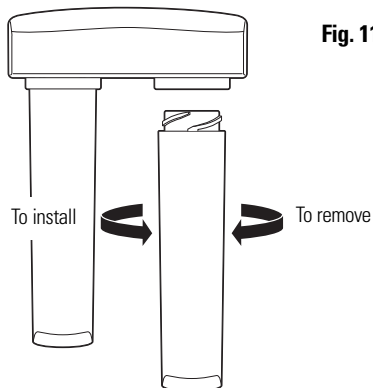


Fig. 11

Replacement Filter Canisters/ Estimated Replacement Costs

FQSLF—Replacement filter canister \$30–35

FQSVF—Replacement filter canister \$35–40

For replacement parts, call toll-free 800.626.2002 (U.S.), 800.663.6060 (Canada–English), 800.361.3869 (Canada–French).

FLUSH PROCEDURE

Whenever water of unknown quality is passed through the GE Water Filtration system, the filter canisters should be discarded and the filtration system flushed.

⚠ WARNING: Do not use with water that is microbiologically unsafe or of unknown quality without adequate disinfection before or after the system. Systems certified for cyst reduction may be used on disinfected water that may contain filterable cysts.

Circumstances that may require flushing the system are:

- Boil water advisory
- Flooding of the GE Water Filtration system
- Long-term non-use

The procedure for flushing the GE Water Filtration system is:

1. See Replacing the Filter Canisters section and follow steps 1–5.

Before you call for service...



Troubleshooting Tips
Save time and money! Review the chart below first and you may not need to call for service.

Problem	Possible Causes	What To Do
Water contains tiny black particles	New filter canisters contain activated carbon.	<ul style="list-style-type: none"> • Turn on the filtered water faucet and allow these initial carbon particles to purge from the canisters. Turn off the faucet when the water is clear.
Water has air bubbles and is cloudy	Air in system after installation.	<ul style="list-style-type: none"> • Will go away after water runs for a while.
Indicator light on the faucet base is flashing	Six months usage has occurred. This is the maximum life of the filter canisters.	<ul style="list-style-type: none"> • Replace both filter canisters and battery in the faucet base.
Indicator light on the faucet base is not blinking	Normal operation.	<ul style="list-style-type: none"> • Does not blink until 6 months of operation has passed.
	Battery may need to be replaced.	<ul style="list-style-type: none"> • Normally the light is not on. The light blinks every 30 seconds to indicate a filter change is needed. This occurs about every 6 months. • Replace battery. Indicator light will blink rapidly 5 times to indicate proper installation and operation.
Indicator light on the faucet base is not working when new battery is installed	Battery may need to be replaced or it may have been installed incorrectly.	<ul style="list-style-type: none"> • Observe orientation markings on the holder. Install with battery "+" side down.
Chlorine taste and/or odor in the product water	The filter canisters are no longer reducing chlorine taste and odor from the water supply.	<ul style="list-style-type: none"> • Replace the filter canisters.
Water dispenses very slowly	The filters have been installed for too long.	<ul style="list-style-type: none"> • A six-month change-out period is recommended. Replace both filter canisters.
	The filter canisters have become clogged.	<ul style="list-style-type: none"> • High sediment levels can cause premature clogging. Replace both filter canisters.
Fittings are leaking	Tubing may not be installed properly.	<ul style="list-style-type: none"> • Fully follow the installation instructions and be sure the tubing is free of nicks, burrs, etc., and is installed to the proper depth.
No water dispensing from system	Filter canisters not fully installed.	<ul style="list-style-type: none"> • Fully follow the filter replacement instructions.

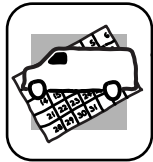
Consumer Support.



GE Appliances Website

ge.com

Have a question or need assistance with your appliance? Try the GE Appliances Website 24 hours a day, any day of the year! For greater convenience and faster service, you can now download Owner's Manuals or order parts on-line.



Schedule Service

ge.com

Expert GE repair service is only one step away from your door. Schedule your service at your convenience by calling 800.GE.CARES (800.432.2737) during normal business hours.



Real Life Design Studio

ge.com

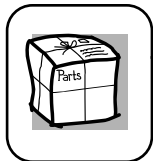
GE supports the Universal Design concept—products, services and environments that can be used by people of all ages, sizes and capabilities. We recognize the need to design for a wide range of physical and mental abilities and impairments. For details of GE's Universal Design applications, including kitchen design ideas for people with disabilities, check out our Website today. For the hearing impaired, please call 800.TDD.GEAC (800.833.4322).



Extended Warranties

ge.com

Purchase a GE extended warranty and learn about special discounts that are available while your warranty is still in effect. You can purchase it on-line anytime, or call 800.626.2224 during normal business hours. GE Consumer Home Services will still be there after your warranty expires.



Parts and Accessories

ge.com

Individuals qualified to service their own appliances can have parts or accessories sent directly to their homes (VISA, MasterCard and Discover cards are accepted). Order on-line today, 24 hours every day or by phone at 800.626.2002 during normal business hours.

Instructions contained in this manual cover procedures to be performed by any user. Other servicing generally should be referred to qualified service personnel. Caution must be exercised, since improper servicing may cause unsafe operation.



Contact Us

ge.com

If you are not satisfied with the service you receive from GE, contact us on our Website with all the details including your phone number, or write to:

General Manager, Customer Relations
GE Appliances, Appliance Park
Louisville, KY 40225



Register Your Appliance

ge.com

Register your new appliance on-line—at your convenience! Timely product registration will allow for enhanced communication and prompt service under the terms of your warranty, should the need arise. You may also mail in the preprinted registration card included in the packing material.

GE Water Filtration System Warranty.

LIMITED ONE-YEAR WARRANTY

- **What does this warranty cover?**
 - Any defect in materials or workmanship in the manufactured product.
- **What does this warranty not cover?**
 - Filter canisters and batteries after 30 days from date of purchase.
 - Service trips to your home to teach you how to use the product.
 - Improper installation, delivery or maintenance.
 - Failure of the product if it is abused, misused, altered, used commercially or used for other than the intended purpose.
 - Use of this product where water is microbiologically unsafe or of unknown quality, without adequate disinfection before or after the system. Systems certified for cyst reduction may be used on disinfected water that may contain filterable cysts.
 - Damage to the product caused by accident, fire, floods or acts of God.
 - **Incidental or consequential damage caused by possible defects with this appliance, its installation or repair.**
- **For how long after the original purchase?**
 - One (1) year.

- **How do I make a warranty claim?**
 - Return to the retailer from which it was purchased, along with a copy of the "Proof of Purchase." A new or reconditioned unit will be provided. This warranty excludes the cost of shipping or service calls to your home.

EXCLUSION OF IMPLIED WARRANTIES—Your sole and exclusive remedy is product exchange as provided in this Limited Warranty. Any implied warranties, including the implied warranties of merchantability or fitness for a particular purpose, are limited to one year or the shortest period allowed by law.

This warranty is extended to the original purchaser and any succeeding owner for products purchased for home or office use within the USA. In Alaska, the warranty excludes the cost of shipping or service to your home or office.

Some states do not allow the exclusion or limitation of incidental or consequential damages. This warranty gives you specific legal rights, and you may also have other rights, which vary from state to state. To know what your legal rights are, consult your local or state consumer affairs office or your state's Attorney General.

Contact us at ge.com, or call toll-free at 800.952.5039 in the U.S., or 866.777.7627 in Canada.

La section Française.

Instructions de sécurité18

**Vue d'ensemble
sur le système**19-23

**Instructions
d'installation**24-30

Approvisionnement en eau24, 25

Installation de la pile29

Installation du robinet25, 26

Installation du système27, 28

Installation du tuyau29

Procédure de rinçage30

Remplacement du filtre30

Conseils de dépannage31

Soutien au consommateur32



L'appareil GXSL55R a été essayé et certifié par NSF International conformément à la norme 42 NSF/ANSI en matière de réduction de chlore : de saveur et d'odeur et de particules de classe I et conformément à la norme 53 en matière de réduction de plomb, de spores, de turbidité, d'amiante, de mercure, de lindane, d'atrazine, de toxaphène et 2,4-D.

L'appareil GXSV65R a été essayé et certifié par NSF International conformément à la norme 42 NSF/ANSI en matière de réduction de chlore : de saveur et d'odeur et de particules de classe I et conformément à la norme 53 en matière de réduction de plomb, de spores, de turbidité, d'amiante, de mercure, de lindane, d'atrazine, de benzène et VOC.

MESURES DE SÉCURITÉ IMPORTANTES.

▲ AVERTISSEMENT : Veuillez lire toute la notice. Le non-respect de toutes les recommandations et règles peut entraîner des blessures corporelles ou des dommages à la propriété.

PRÉCAUTIONS DE SÉCURITÉ

- Utilisez votre système de filtration d'eau uniquement sur une canalisation d'eau FROIDE potable. Les cartouches de filtration ne purifient pas l'eau, ou ne la rend pas potable.
- **N'utilisez jamais** votre système en l'alimentant d'eau chaude (37,7°C [100°F] max.). Installez uniquement votre système sur une canalisation d'eau froide.

▲ AVERTISSEMENT : *N'utilisez jamais votre système de filtration avec de l'eau microbiologiquement polluée ou de qualité inconnue, sans avoir monté un dispositif de désinfection adéquat en amont ou en aval du système. Vous pouvez utiliser un système certifié de réduction des spores sur de l'eau désinfectée qui peut contenir des spores filtrables.*

INSTALLATION PROPRE

Avant son utilisation, le système de filtration doit être correctement installé et positionné conformément aux instructions d'installation.

▲ MISE EN GARDE: Pour réduire le risque de dommages à la propriété par des fuites d'eau, installez ou rangez votre système dans un endroit où il ne sera pas exposé au gel ou aux intempéries. L'eau gelant dans le système peut endommager celui-ci et entraîner des fuites d'eau et des dommages à la propriété. Remplacez le filtre si ce dernier a été exposé au gel. N'essayez pas de traiter de l'eau dont la température est supérieure à 100 degrés F.

▲ AVERTISSEMENT : *Jetez tout matériau d'emballage et matériau que vous n'aurez pas utilisé après le montage. Les petites pièces qui restent après le montage peuvent poser un risque d'étranglement.*

- Votre système de filtration d'eau tolère jusqu'à 120 livres par pouce carré (psi) de pression d'eau. Si la pression de votre alimentation d'eau domestique est plus élevée que 80 psi, montez un robinet réducteur de pression en amont de votre système de filtration d'eau avant de monter votre système de filtration d'eau.

VEUILLEZ LIRE ET SUIVRE ATTENTIVEMENT CES MESURES DE SÉCURITÉ.

CONSERVEZ CES INSTRUCTIONS

Directives de caractéristiques techniques.

On peut atténuer de nombreuses mauvaises odeurs et de nombreux mauvais goûts de l'eau en utilisant des cartouches de filtre en charbon actif. On utilise principalement celles-ci pour enlever le goût et l'odeur de chlore. On peut également les utiliser pour réduire d'autres éléments indésirables dans l'approvisionnement en eau potable, comme le plomb et les contaminants de chimie organique.

NOTE : *Les filtres d'odeurs et de saveurs peuvent réduire pendant peu de temps de petits montants d'hydrogène sulfuré (odeur d'œufs pourris), mais le charbon qu'ils contiennent est rapidement épuisé. Il faut utiliser d'autres instruments de conditionnement d'eau pour traiter de manière continue l'hydrogène sulfuré.*

Le système de filtration d'eau utilise les cartouches suivantes

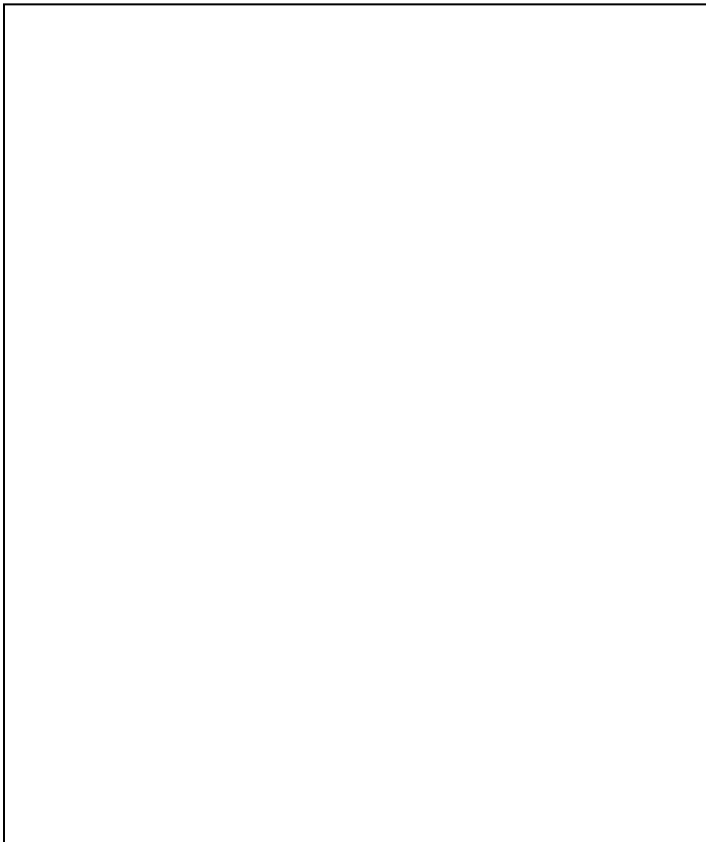
Modèle GXSL55R

Filtre FQSLF (capacité de 1200 gallons)

Cartouches de filtre blanches avec une bande jaune

- Réduit la saleté, la rouille et les sédiments
- Réduit le chlore : son goût et son odeur
- Réduit le plomb
- Réduit les spores filtrables (comme les cryptosporidies et les parasites lambia)
- Réduit la turbidité
- Réduit l'amiante
- Réduit le mercure
- Réduit le lindane
- Réduit l'atrazine
- Réduit le toxaphene
- Réduit 2,4-D
- Réduit le diamètre nominal de particules de 0,5–1 micron

Ce système se conforme aux normes 42 et 53 NSF/ANSI en ce qui concerne les caractéristiques annoncées de rendement, qui sont vérifiées et soutenues par les données obtenues lors des essais. Consultez la Feuille de données de rendement pour de plus amples détails.



Directives de caractéristiques techniques.

Le système de filtration d'eau utilise les cartouches suivantes

Modèle GXSV65R

Filtre FQSVF

(capacité de 160 gallons)

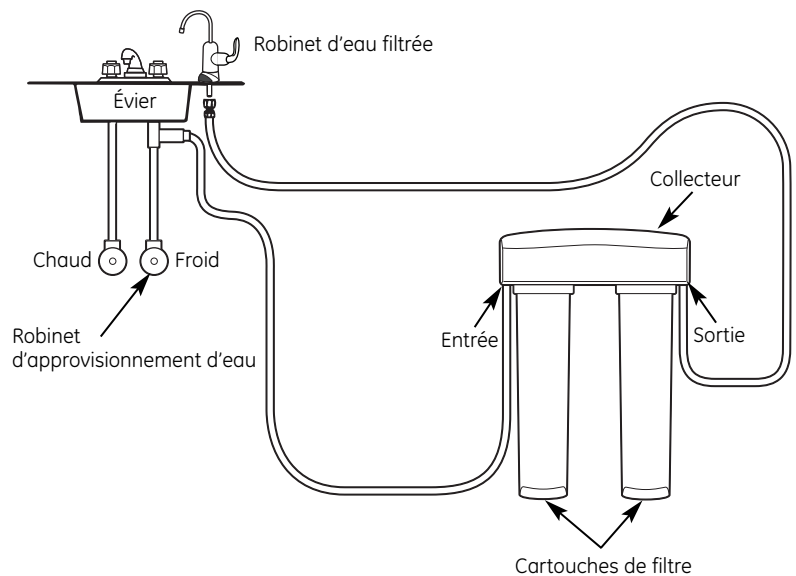
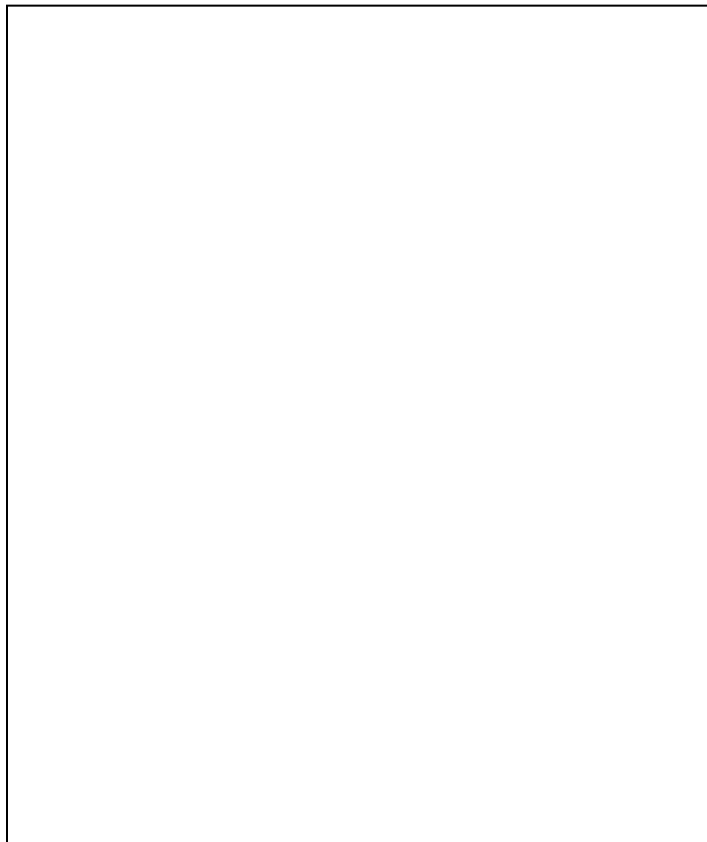
Cartouches de filtre blanches avec une bande vert

- Réduit la saleté, la rouille et les sédiments
- Réduit le chlore : son goût et son odeur
- Réduit le plomb
- Réduit les spores filtrables (comme les cryptosporidies et les parasites lambia)
- Réduit la turbidité
- Réduit l'amiante
- Réduit le mercure
- Réduit le lindane
- Réduit l'atrazine
- Réduit le benzène
- Réduit VOC
- Réduit le diamètre nominal de particules de 0,5-1 micron

Ce système se conforme aux normes 42 et 53 NSF/ANSI en ce qui concerne les caractéristiques annoncées de rendement, qui sont vérifiées et soutenues par les données obtenues lors des essais. Consultez la Feuille de données de rendement pour de plus amples détails.

Vue d'ensemble sur l'installation

Placez le système d'eau potable sur le tuyau d'approvisionnement d'eau froide, sous l'évier de la cuisine ou le lavabo de la salle de bain, pour filtrer l'eau potable froide.



Feuillet de données relatives à la performance.

Cartouche FQSLF du système de filtration d'eau GE SmartWater GXSL55R

- Ce système a été essayé selon les normes NSF/ANSI 42 et 53 pour une réduction de substances énumérées ci-dessous. La concentration des substances indiquées dans l'eau qui entre dans le système a été réduite à une concentration inférieure ou égale à la limite permise pour l'eau quittant le système, telle que précisée par la norme NSF/ANSI 42 et 53.
- Le rendement réel peut varier en fonction des conditions locales d'eau.

▲ AVERTISSEMENT : N'utilisez jamais votre système de filtration avec de l'eau microbiologiquement polluée ou de qualité inconnue, sans avoir monté un dispositif de désinfection adéquat en amont ou en aval du système. Vous pouvez utiliser un système certifié de réduction des spores sur de l'eau désinfectée qui peut contenir des spores filtrables.

Norme N° 42 : Effets esthétiques								
Paramètre	USEPA MCL	Qualité influent concentration	Influent moyen	Effluent		% Réduction		Réduction exigeante min.
				Moyenne	Maximum	Moyenne	Minimum	
Chlore	—	2,0 mg/L + 10%	2,00 mg/L	0,050625 mg/L	0,06 mg/L	97,52%	97,00%	>50%
T & O	—	—	—	—	—	—	—	—
Particules nominales**	—	au moins 10.000 particules/mL	14.000.000 #/mL	196.666 #/mL	370.000 #/mL	99,00%	97,40%	>85%
Norme N° 53 : Effets de santé								
Paramètre	USEPA MCL	Qualité influent concentration	Influent moyen	Effluent		% Réduction		Réduction exigeante min.
				Moyenne	Maximum	Moyenne	Minimum	
Turbidité	0,5 NTU***	11 + 1 NTU***	10,5 NTU	0,125 NTU	0,30 NTU	98,80%	97,30%	0,5 NTU
Spores	99,95% red.	Min. 50.000 L	122.500 #/L	<1 #/L	<1 #/L	>99,99%	>99,99%	>99,95%
Amiante	99% red.	10 ⁷ et 10 ⁸ ; fibres >10 micromètres de long	126,5 MF/L	<0,17 MF/L	<0,17 MF/L	>99,99%	>99,99%	>99%
Plomb, pH 6,5	0,010 mg/L	0,015 mg/L + 10%	0,150 mg/L	<0,001 mg/L	<0,001 mg/L	>99,30%	>99,30%	0,010 mg/L
Plomb, pH 8,5	0,010 mg/L	0,015 mg/L + 10%	0,150 mg/L	<0,001 mg/L	<0,001 mg/L	>99,30%	>99,30%	0,010 mg/L
Mercure, pH 6,5	0,002 mg/L	0,006 mg/L ± 10%	0,006 mg/L	0,0003 mg/L	0,0005 mg/L	95,00%	91,70%	0,002 mg/L
Mercure, pH 8,5	0,002 mg/L	0,006 mg/L ± 10%	0,0059 mg/L	0,00073 mg/L	0,0018 mg/L	88,10%	69,20%	0,002 mg/L
Atrazine	0,003 mg/L	0,009 mg/L + 10%	0,0102 mg/L	0,00105 mg/L	0,0027 mg/L	89,40%	76,30%	0,003 mg/L
Lindane	0,0002 mg/L	0,002 mg/L + 10%	0,0019 mg/L	0,000035 mg/L	0,00016 mg/L	97,90%	91,80%	0,0002 mg/L
2,4-D	0,07 mg/L	0,200 mg/L ± 10%	0,2005 mg/L	0,017575 mg/L	0,064 mg/L	84,90%	69,00%	0,07 mg/L
Toxaphene	0,003 mg/L	0,015 ± 10%	0,015 mg/L	<0,001 mg/L	<0,001 mg/L	>93,30%	>93,30%	0,003 mg/L

*Testé utilisant un débit de 2,95 l/min; une pression de 4,2 Kg/cm²; un pH de 7,5 ± 0,5; et une temp. de 20° C ± 3° C

**Mesures en particules/mL. Les particules utilisés étaient de 0,5-1 micron.

***NTU—unités de turbidité néphélométrique

Spécifications d'opération

Capacité : certifiée jusqu'à maximum de 4542 l; jusqu'à maximum de six mois

Exigence en matière de pression : 2,8 à 8,2 bar

Température : 0,6°-38° C

Débit : 2,95 l/min

Remplacement des cartouches de filtre/Coûts estimés de remplacement

FQSLF—Cartouche de filtre de remplacement 30–35\$

Pour les pièces de remplacement, appelez sans frais le numéro 800.626.2002 (aux États-Unis), 800.663.6060 (Canada anglais), 800.361.3869 (Canada français)

Feuillet de données relatives à la performance.

Cartouche FQSVF du système de filtration d'eau GE SmartWater GXSV65R

■ Ce système a été essayé selon les normes NSF/ANSI 42 et 53 pour une réduction de substances énumérées ci-dessous. La concentration des substances indiquées dans l'eau qui entre dans le système a été réduite à une concentration inférieure ou égale à la limite permise pour l'eau quittant le système, telle que précisée par la norme NSF/ANSI 42 et 53.

■ Le rendement réel peut varier en fonction des conditions locales d'eau.

▲ AVERTISSEMENT : N'utilisez jamais votre système de filtration avec de l'eau microbiologiquement polluée ou de qualité inconnue, sans avoir monté un dispositif de désinfection adéquat en amont ou en aval du système. Vous pouvez utiliser un système certifié de réduction des spores sur de l'eau désinfectée qui peut contenir des spores filtrables.

Norme N° 42 : Effets esthétiques								
Paramètre	USEPA MCL	Qualité influent concentration	Influent moyen	Effluent		% Réduction		Concentration maximum permise de produit dans l'eau
				Moyenne	Maximum	Moyenne	Minimum	
Chlore	—	2,0 mg/L + 10%	2,00 mg/L	<0,05 mg/L	<0,05 mg/L	>97,50%	>97,50%	>50%
T & O	—	—	—	—	—	—	—	—
Particules **	—	>10.000 particules/mL	4.100.000 #/mL	76.500 #/mL	110.000 #/mL	98,10%	97,30%	>85%
Norme N° 53 : Effets de santé								
Turbidité	0,5 NTU***	11 + 1 NTU***	11,0 NTU	0,1 NTU	0,1 NTU	98,80%	98,20%	0,5 NTU
Spores	99,95% red.	Min. 50.000/L	140.000 #/L	1 #/L	1 #/L	>99,99%	>99,99%	99,95%
Amiante	99% red.	—	280 MF/L	<0,17 MF/L	<0,17 MF/L	>99,00%	>99,00%	99%
Plomb, pH 6,5	0,010 mg/L	0,15 mg/L + 10%	0,150 mg/L	<0,001 mg/L	<0,001 mg/L	>99,30%	>99,30%	0,010 mg/L
Plomb, pH 8,5	0,010 mg/L	0,15 mg/L + 10%	0,140 mg/L	<0,001 mg/L	<0,001 mg/L	>99,30%	>99,30%	0,010 mg/L
Mercure, pH 6,5	0,002 mg/L	0,006 mg/L ± 10%	0,0065 mg/L	<0,0002 mg/L	<0,0002 mg/L	96,60%	>96,70%	0,002 mg/L
Mercure, pH 8,5	0,002 mg/L	0,006 mg/L ± 10%	0,0059 mg/L	<0,0002 mg/L	<0,0002 mg/L	96,60%	>96,70%	0,002 mg/L
Lindane	0,0002 mg/L	0,002 mg/L ± 10%	0,00193 mg/L	<0,00002 mg/L	0,00005 mg/L	>98,80%	98,80%	0,0002 mg/L
Benzène	0,001 mg/L	0,015 mg/L ± 10%	0,014 mg/L	<0,0005 mg/L	<0,0005 mg/L	>96,40%	>96,40%	0,005 mg/L
Atrazine	0,003 mg/L	0,009 mg/L ± 10%	0,00873 mg/L	<0,0005 mg/L	<0,0005 mg/L	>94,10%	>94,10%	0,003 mg/L
Réduction de VOC								
Chloroforme	0,080 mg/L	0,300 ± 10%	0,340 mg/L	0,00098 mg/L	0,00620 mg/L	97,90%	98,20%	95%

*Testé utilisant un débit de 2,27 l/min; une pression de 4,2 Kg/cm²; un pH de 7,5 ± 0,5; et une temp. de 20° C ± 3° C

**Mesures en particules/mL. Les particules utilisés étaient de 0,5-1 micron.

***NTU—unités de turbidité néphélométrique

Spécifications d'opération

Capacité : certifiée jusqu'à maximum de 605 l; jusqu'à maximum de six mois

Exigence en matière de pression : 2,8 à 8,2 bar

Température : 0,6°-38° C

Débit : 2,27 l/min

Remplacement des cartouches de filtre/Coûts estimés de remplacement

FQSVF—Cartouche de filtre de remplacement 35–40\$

Pour les pièces de remplacement, appelez sans frais le numéro 800.626.2002 (aux États-Unis), 800.663.6060 (Canada anglais), 800.361.3869 (Canada français)

Feuillet de données relatives à la performance.

Produits de chimie organique réduits par essais indirects au chloroforme

Contaminant	Moyen ¹ Influent (µg/L) ²	Max. Effluent (µg/L) ²	Contaminant	Moyen ¹ Influent (µg/L) ²	Max. Effluent (µg/L) ²
Alachlor	50	1,0 ³	Haloketones (HK):		
Atrazine	100	3,0 ³	1,1-dichloro-2-propanone	7,2	0,1 ⁴
Benzene	81	1,0 ³	1,1,1-trichloro-2-propanone	8,2 ⁶	0,3 ⁴
Carbofuran	190	1,0 ³	Heptachlor (H-34, Heptox)	80	0,4 ³
Carbon Tetrachloride	78	1,8 ⁴	Heptachlor Epoxide	10,7 ⁶	0,2 ⁶
Chlorobenzene	77	1,0 ³	Hexachlorobutadiene	44	1,0 ³
Chloropicrin	15	0,2 ⁴	Hexachlorocyclopentadiene	60	0,002 ³
2,4-D	110	1,7 ⁴	Lindane	55	0,01 ³
Dibromochloropropane (DBCP)	52	0,02 ³	Methoxychlor	50	0,1 ³
o-Dichlorobenzene	80	1,0 ³	Pentachlorophenol	96	1,0 ³
p-Dichlorobenzene	40	1,0 ³	Simazine	120	4,0 ³
1,2-Dichloroethane	88	4,8 ⁵	Styrene	150	0,5 ³
1,1-Dichloroethylene	83	1,0 ³	1,1,2,2-Tetrachloroethane	81	1,0 ³
cis-1,2-Dichloroethylene	170	0,5 ³	Tetrachloroethylene	81	1,0 ³
trans-1,2-Dichloroethylene	86	1,0 ³	Toluene	78	1,0 ³
1,2-Dichloropropane	80	1,0 ³	2,4,5-TP (silvex)	270	1,6 ³
cis-1,3-Dichloropropylene	79	1,0 ³	Tribromoacetic acid	42	1,0 ³
Dinoseb	170	0,2 ⁴	1,2,4-Trichlorobenzene	160	0,5 ³
Endrin	53	0,59 ⁴	1,1,1-Trichloroethane	84	4,6 ⁴
Ethylbenzene	88	1,0 ³	1,1,2-Trichloroethane	150	0,5 ³
Ethylene Dibromide (EDB)	44	0,02 ³	Trichloroethylene	180	1,0 ³
Haloacetonitriles (HAN):			Trihalomethanes (includes):	300	15
Bromochloroacetonitrile	22	0,5 ⁴	Chloroform (surrogate chemical)		
Dibromoacetonitrile	24	0,6 ⁴	Bromoform		
Dichloroacetonitrile	9,6	0,2 ⁴	Bromodichloromethane		
Trichloroacetonitrile	15	0,3 ⁴	Chlorodibromomethane		
			Xylenes (total)	70	1,0 ³

¹ Les niveaux critiques d'entrée d'eau sont des concentrations d'entrée d'eau moyennes en essais de qualification indirects.

² µg/L signifie microgrammes par litre.

³ Un niveau maximal de produit dans l'eau n'a pas été observé mais a été établi à la limite de détection de l'analyse.

⁴ Le niveau de produit maximal est établi à une valeur déterminée en essais de qualification indirects.

⁵ La réduction chimique en pourcentage de produit et le niveau maximal d'eau ont été calculés au point critique de 95 % de chloroforme tel que déterminé en essais de qualification indirects.

⁶ Les résultats des essais indirects pour l'époxyde d'heptachlore a montré une réduction de 98 %. Nous avons utilisé ces données pour calculer une concentration de présence supérieure, qui produirait un niveau maximal de produit dans l'eau au niveau de concentration le plus grand.

Les essais ont été accomplis dans des conditions normales de laboratoire, le rendement réel peut varier.

NOTE : Les substances réduites ne sont pas nécessairement dans votre eau. Vous devez entretenir le filtre conformément aux instructions du fabricant, et suivre ces instructions pour remplacer les cartouches.

AVERTISSEMENT : N'utilisez jamais l'appareil avec de l'eau qui n'est pas saine sur le plan microbiologique ou qui est de qualité inconnue sans désinfection adéquate en amont et en aval du système. Les systèmes certifiés pour réduire les spores peuvent être utilisés sur des eaux désinfectées qui contiennent des spores filtrables.

Instructions d'installation

Système de filtration monté sur robinet – GXSL55R et GXSV65R

RECOMMANDATIONS IMPORTANTES D'INSTALLATION

⚠ AVERTISSEMENT – Lisez tout le manuel. Si vous ne suivez pas toutes les directives et les règles, vous pouvez occasionner des blessures corporelles et des dommages matériels.

- Vérifiez vos codes de plomberie auprès de votre service de travaux publics. Vous devez vous y conformer pour monter votre système de filtration d'eau.

OUTILS ET MATÉRIAUX NÉCESSAIRES POUR L'INSTALLATION

- Un tournevis Phillips
- Deux (2) clés anglaises
- Une perceuse électrique et une mèche de perceuse pour percer un trou de 1-1/2 po (de la catégorie requise) si un trou de montage est nécessaire pour le robinet
- Mètre-ruban
- Si votre conduite principale d'eau est un tuyau rigide, vous aurez besoin d'une bague de compression et peut-être d'autres articles de plomberie pour terminer l'installation.

⚠ MISE EN GARDE – Pour éviter d'endommager l'évier, consultez un plombier ou un installateur qualifié pour trouver la bonne procédure de percement du trou. Des mèches de perceuse spéciales peuvent être requises pour la porcelaine ou l'acier inoxydable.

PIÈCES COMPRISES AVEC LE PRODUIT

- L'ensemble du système de filtre d'eau, comprenant les vis de montage
- Un adaptateur d'eau d'alimentation
- Un mécanisme de robinet avec moniteur de base électronique et tuyau

RACCORD D'APPROVISIONNEMENT D'EAU FROIDE

A. INSTALLATION PRÉFÉRÉE

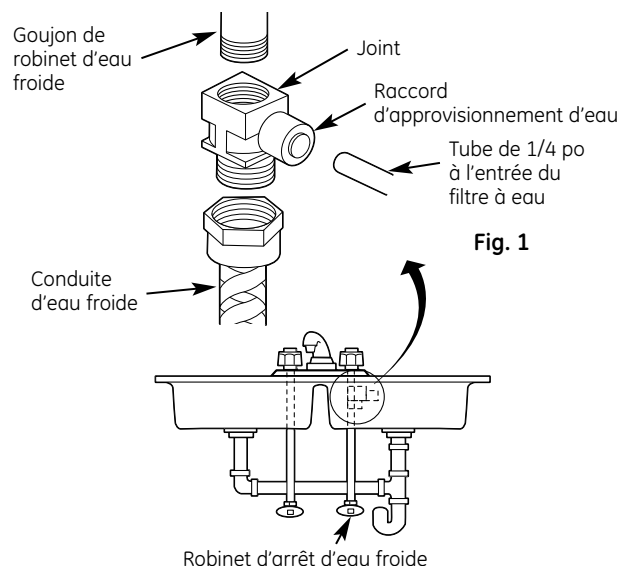
(Utilisant le robinet existant d'approvisionnement d'eau de l'évier de cuisine et un tuyau du robinet flexible)

Un branchement typique au moyen du raccord d'approvisionnement d'eau fourni est illustré ci-dessous.

1. Fermez le robinet d'arrêt qui se trouve juste en face du tube d'approvisionnement et ouvrez les robinets pour drainer l'eau de la conduite d'eau froide de l'évier.
2. Retirez l'écrou qui relie le robinet d'eau froide au tube d'approvisionnement. Une fuite d'eau peut se produire.

NOTES :

- Assurez-vous de couper l'alimentation d'eau et d'ouvrir un robinet pour drainer la conduite.
- Vérifiez que le joint est posé dans le raccord d'approvisionnement d'eau.



3. Vissez à la main le raccord d'approvisionnement d'eau sur le robinet d'eau froide. Assurez-vous que le joint est en place, comme illustré, avant l'assemblage final. Terminez le serrage avec une clé à molette. **Veillez à ne pas trop serrer et ne pas endommager le filetage.** Assurez-vous que le raccord rapide 1/4 po ne repose pas contre le mur pour éviter de courber le raccordement de la conduite d'approvisionnement. Un quart de tour en serrant ou desserrant peut s'avérer nécessaire pour éviter cette situation.
4. Rebranchez la conduite du robinet au raccord.
5. Installez la tuyauterie. (Voir la section Installation du tuyau.)

Instructions d'installation

RACCORD D'APPROVISIONNEMENT D'EAU FROIDE (SUITE)

B. INSTALLATION À DOMICILE FACULTATIVE

(là où la réglementation le permet)

Robinet-vanne à étrier : Le robinet-vanne doit pouvoir se raccorder à la conduite 1/4 po fournie avec le système. Non fournie avec le produit; demandez le produit auprès de votre quincaillerie ou centre de rénovation local. Le robinet-vanne à étrier nécessite habituellement un tuyau de dia. ext. de 1/2 po ou plus.

NOTE : Les codes de l'État du Massachusetts exigent que l'installation soit faite par un plombier agréé et ils interdisent l'utilisation d'un robinet-vanne à étrier. Pour procéder à l'installation, se référer au code de plomberie 248-CMR du Commonwealth of Massachusetts.

1. Coupez l'alimentation d'eau froide et installez le robinet-vanne à étrier selon le produit choisi. (Assurez-vous d'observer les instructions d'installation du fabricant.)

⚠ DANGER — S'il faut percer un trou dans le tuyau, utilisez une perceuse à main alimentée par batterie pour vous protéger contre l'électrocution. **N'UTILISEZ PAS UNE PERCEUSE ÉLECTRIQUE.**

2. Ouvrez le robinet-vanne à étrier une fois l'installation complète du système terminée.

C. INSTALLATION FACULTATIVE

(Pour installation avec conduite rigide entre le robinet d'approvisionnement et le robinet d'évier)

Option 1

1. Déconnectez la conduite du robinet d'approvisionnement et du robinet d'évier.
2. Procurez-vous une conduite flexible adaptée à votre tuyauterie.
3. Installez la conduite flexible.
4. Retournez à la section A, rubrique Installation préférée, étape 3.

Option 2

1. Procurez-vous des raccords à compression pour raccorder la conduite rigide.
2. Procurez-vous tout autre raccord nécessaire pour raccorder les raccords à compression à l'adaptateur de conduite d'approvisionnement.
3. Déconnectez le tuyau du robinet d'approvisionnement.
4. Coupez le tuyau pour qu'il s'adapte à la longueur de l'assemblage des raccords et de l'adaptateur.
5. Installez le raccord à compression sur le tuyau.
6. Retournez à la section A, rubrique Installation préférée, étape 3.

NOTE : Le matériel décrit ci-dessus n'est pas inclus avec le produit.

INSTALLATION DU ROBINET

Assurez-vous qu'il y ait suffisamment de place au-dessous et au-dessus de l'évier pour faire les branchements nécessaires. Avant de commencer, assurez-vous qu'il y ait suffisamment de place pour la base de robinet et l'unité. Choisissez l'un des emplacements suivants pour installer le robinet :

- A. Dans un trou existant de distributeur de savon ou de douchette.
- B. Dans un trou à percer en haut de l'évier.
- C. Dans un trou à percer dans le comptoir, près de l'évier.

NOTES :

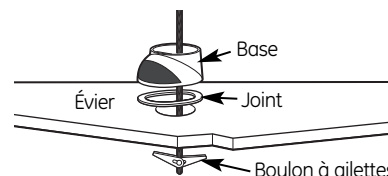
- Assurez-vous que la base de robinet soit bien plate contre la surface de l'emplacement choisi de manière à ce que le joint placé entre la base et la surface de l'emplacement choisi soit bien étanche.
- Laissez suffisamment d'espace à l'arrière du robinet au cas où vous devriez l'enlever.

Étapes d'installation (voir l'illustration ci-dessous pour plus de clarté)

1. Si vous devez faire un trou, faites un trou de 1 1/2 po de diamètre. **Assurez-vous d'utiliser la bonne procédure pour percer la porcelaine ou l'acier inoxydable. Vous pouvez avoir besoin d'une mèche spéciale de perceuse. Consultez un plombier qualifié pour trouver la bonne procédure.**

NOTE : Le perçage de l'acier inoxydable engendre souvent des rebords coupants qui peuvent percer le tube. Prenez soin de ne pas vous couper ni endommager le tube.

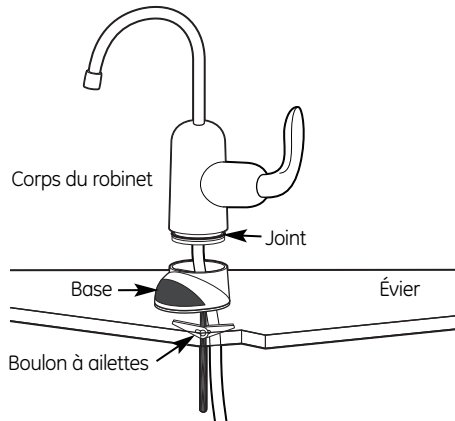
2. Enlevez la corps et la base du robinet en tournant la base dans le sens antihoraire.
3. Alignez le joint de façon à recouvrir le trou entièrement. Placez ensuite le boulon à ailettes de la base dans le trou.



Instructions d'installation

INSTALLATION DU ROBINET (SUITE)

4. Serrez le boulon à ailettes jusqu'à bien fixer la base en place pour l'empêcher de branler ou de tourner.
5. Insérez le tube d'eau par en haut à travers la base du robinet. Poussez ensuite le tube dans le raccord dans le bas du corps du robinet. Il devrait rentrer sur environ 3/4 po. Tirez légèrement sur le tube pour vérifier sa solidité.



6. Poussez le corps du robinet vers le bas dans sa base puis tournez dans le sens horaire jusqu'à l'enclencher en place.

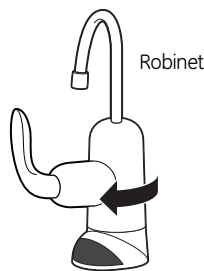
NOTE : Vous pouvez installer le robinet pour que sa poignée se trouve à droite ou à gauche.

Si vous la souhaitez à droite, placez la poignée à l'arrière de la base avant de tourner dans le sens horaire.

Pour la gauche, placez la poignée au devant de la base avant de tourner dans le sens horaire.



Poignée du robinet à DROITE

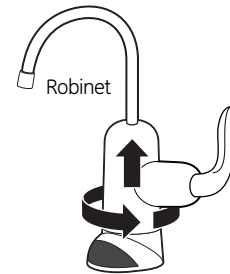


Poignée du robinet à GAUCHE

INSTALLATION DU ROBINET (SUITE)

Pour retirer le robinet :

1. Coupez l'alimentation d'eau.
2. Retirez le corps du robinet de la base en le tournant dans le sens antihoraire et en tirant le robinet vers le haut.



Instructions d'installation

INSTALLATION DU SYSTÈME DE MONTAGE

Choisissez un emplacement sous l'évier pour monter le système. Cet emplacement doit être facilement accessible, avec espace libre entre le bas de les cartouches de filtre et le plancher ou le bas de l'armoire; tout espace inférieur rendra difficile l'enlèvement de les cartouches de filtre (Fig. 5). Prévoyez suffisamment d'espace des deux côtés du système pour brancher les tuyaux.

INSTALLATION DE VIS

1. Enlevez ce gabarit du manuel afin d'installer plus facilement.
2. Le haut des ouvertures du gabarit doivent être placées au moins à 43,2 cm (17 po) au-dessus du plancher ou du bas de l'armoire où vous devez monter le système (Fig. 4 et 5). **NOTE** : Si vous avez un écart moins important, vous aurez des problèmes à enlever la cartouche à filtre parce qu'elle touchera le plancher.
3. Collez le gabarit au mur, à l'aide de ruban adhésif, à l'endroit où vous devez mettre les vis.

Mettez les vis dans le mur, en laissant un espace de 0,5 cm (3/16 po) libre entre la tête de la vis et le mur (percez des trous pilotes le cas échéant) (Fig. 6).

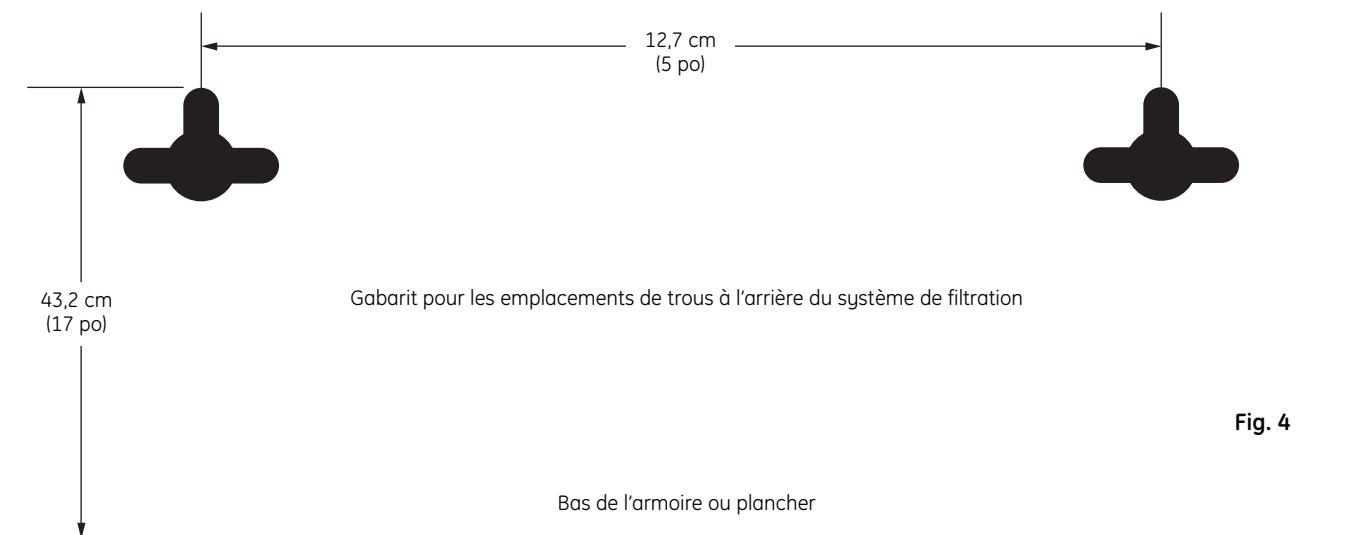


Fig. 4

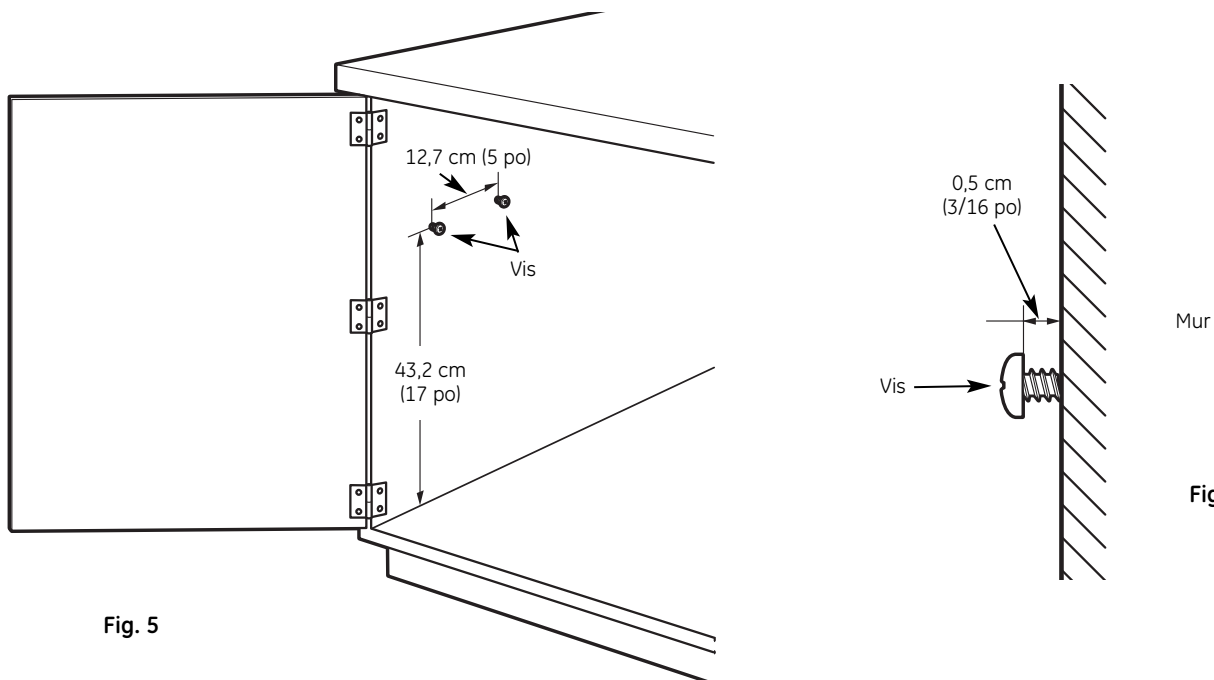


Fig. 5

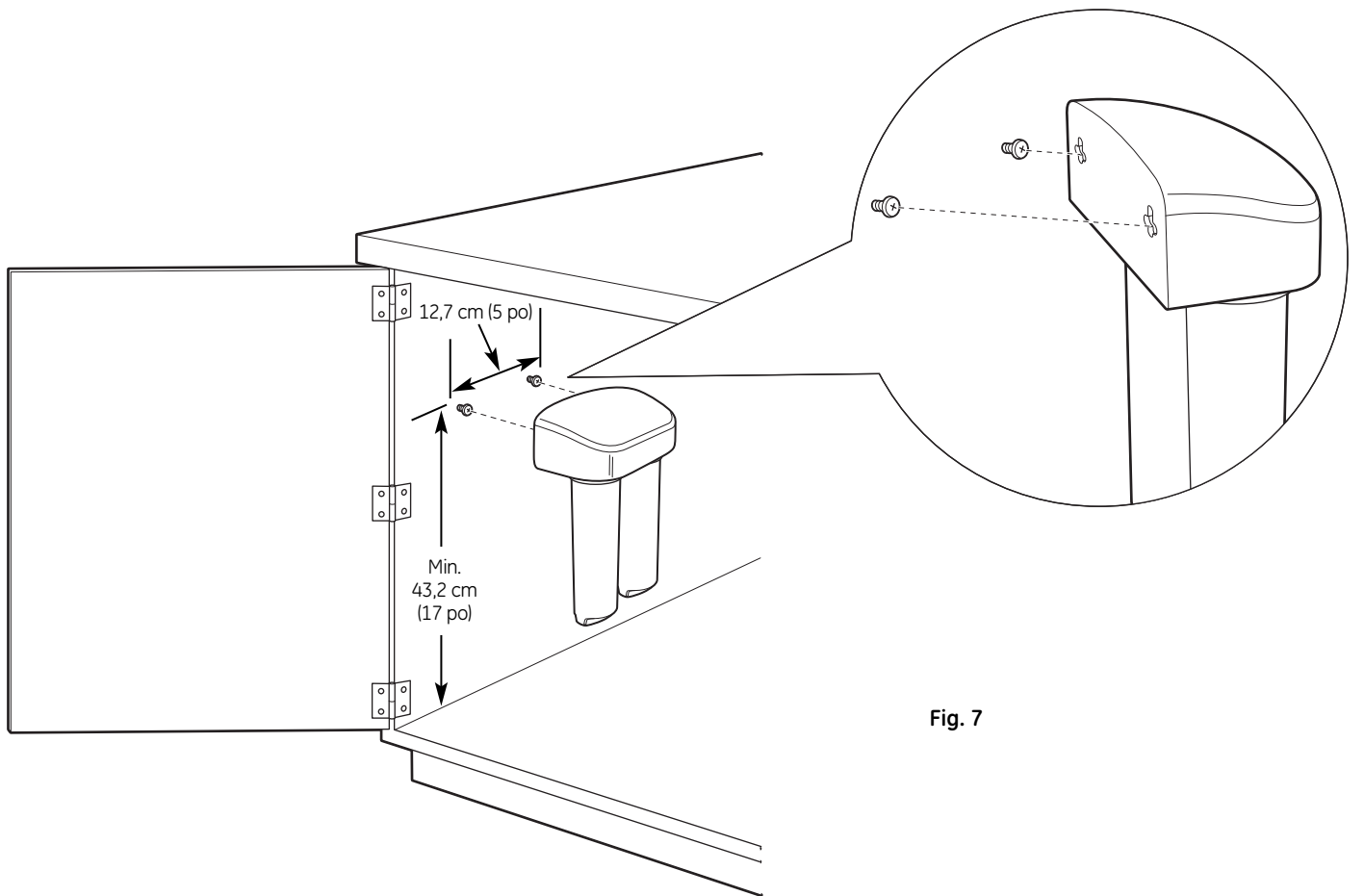
Fig. 6

Instructions d'installation

INSTALLATION DU SYSTÈME DE MONTAGE (SUITE)

Montage du système aux vis installées dans le mur

1. Enlevez l'emballage rétrécissable du système de filtre.
2. Pendez le système aux vis précédemment installées à l'aide des ouvertures situées à l'arrière de l'appareil (Fig. 7).
3. Si la tête des vis ne glisse pas dans la fente du haut, dévissez la vis d'un quart de tour et essayez à nouveau.
4. Si le système est trop lâche, resserrez les vis d'un quart de tour et essayez à nouveau jusqu'à ce qu'il soit bien rapproché.



Instructions d'installation

INSTALLATION DU TUYAU

1. Mesurez 19 mm (3/4 po) à partir de chaque extrémité de chaque morceau restant de tuyau (extrémité du robinet et extrémité d'entrée d'eau) et marquez avec un crayon (Fig. 8). (Vérifiez que le tuyau soit bien rond, lisse, bien coupé, bien indenté, sans des bords tranchants. Il peut s'avérer nécessaire de couper le tuyau de nouveau.)

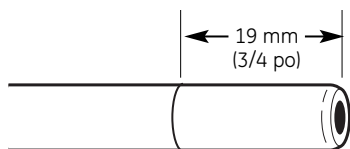
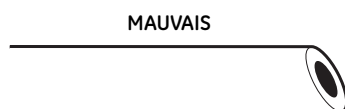
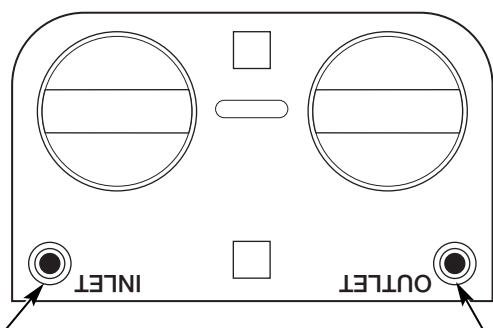


Fig. 8



2. Localisez les raccords des tuyaux en la bas du collecteur.



Entrée à partir du robinet d'alimentation d'eau

Sortie vers le robinet

3. **NOTE : L'eau circule de gauche à droite. Le robinet d'entrée de l'eau est à gauche et celui de sortie de l'eau est à droite. Si vous ne suivez pas cette disposition, vous aurez des fuites quand vous enlèverez les cartouches de filtre.**

4. Poussez fortement le tuyau dans chaque raccord du collecteur jusqu'à ce que la ligne soit au niveau du collier de raccord. (Si le tuyau est enlevé, recoupez l'extrémité, mesurez, marquez et ré-insérez). Le tuyau doit être bien inséré pour éviter les fuites (Fig. 9). (**Pour enlever le tuyau : Pressez et tenez la bague blanche; tirez le tuyau pour l'enlever.**)

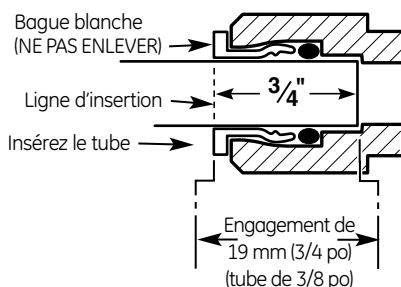


Fig. 9

INSTALLATION DU TUYAU (SUITE)

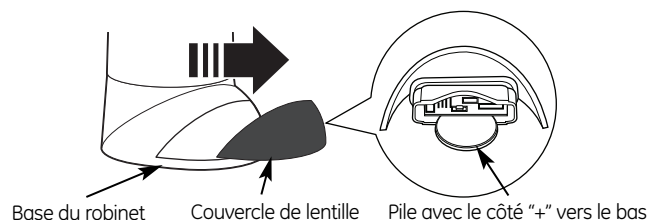
5. Tirez légèrement le tuyau pour assurer un joint étanche.
6. Installez l'autre extrémité du tuyau depuis le côté entrée d'eau vers l'adaptateur d'eau d'alimentation.

NOTE : Inspectez les extrémités du tuyau pour être certain qu'il n'y a pas d'imperfections et que la coupe est d'équerre. Il peut s'avérer nécessaire de couper le tuyau de nouveau.

INSTALLATION DE LA PILE

1. Retirez le couvercle de la lentille de la base du robinet. Agrippez-le des deux côtés et tirez vers l'avant.
2. Installez une pile CR2032 3V avec le côté "+" vers le bas dans le logement de pile.
3. La lumière ambrée clignotera 5 fois, indiquant une bonne installation et remise à zéro du système.
4. Glissez le couvercle de lentille dans la base de robinet.
5. Normalement, la lumière est éteinte. Après 6 mois d'utilisation, la lumière ambrée se remet à clignoter toutes les 30 secondes, indiquant qu'il est temps de changer la cartouche de filtre.

NOTE : La lumière ambrée peut s'arrêter de clignoter si on la laisse clignoter longtemps. Pour assurer un bon fonctionnement, il faut changer la pile à chaque changement de filtre.



Instructions d'installation

REPLACEMENT DES CARTOUCHES DE FILTRE

La lumière amber située sur la base du robinet clignotera toutes les 30 secondes pour indiquer qu'il faut changer le filtre. Cela se produit tous les 6 mois. **POUR ENTREtenir CORRECTEMENT LE SYSTÈME, CHANGEZ LE FILTRE LORSQUE NÉCESSAIRE.**

1. Enlevez les cartouches de filtre du collecteur en faisant tourner les cartouches vers la gauche environ 1/3 de tour (Fig. 11). **NOTE** : Un peu d'eau peut sortir du tuyau entre le filtre et le robinet. Vous pouvez utiliser une serviette pour l'éponger.
2. Enlevez le feuillet situé en haut de les nouvelles cartouches de filtre de remplacement. Installez les nouvelles cartouches dans le collecteur en la tournant vers la droite environ 1/3 de tour, jusqu'à ce que les marques s'alignement soient alignées et le filtre s'arrête. **NE SERREZ PAS TROP.** Le filtre se soulève quand vous le tournez.
3. Tournez la poignée du robinet pour purger le système, en permettant à l'air emprisonné de s'échapper.

NOTE : Le système peut faire du bruit pendant cette procédure.

4. Vérifiez qu'il n'y ait pas de fuite d'eau autour du système.
5. Quand l'eau commence à couler du robinet, laissez le système couler pendant 4 gallons (ou 5 minutes) pour éliminer toute fibre de charbon présente.
6. Fermez le robinet et vérifiez autour du système qu'il n'y a pas de fuite.
7. Enlevez le tiroir à pile et remettez en place la batterie pour remettre à zéro la minuterie (consultez la section Installation de la pile pour bien mettre en place).

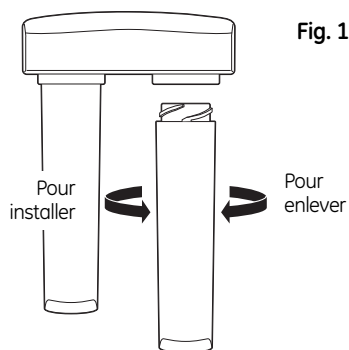


Fig. 11

Remplacement des cartouches de filtre/ Coûts estimés de remplacement

FQSLF—Cartouche de filtre de remplacement 30–35\$
FQSVF—Cartouche de filtre de remplacement 35–40\$

Pour les pièces de remplacement, appelez sans frais le numéro 800.626.2002 (aux États-Unis), 800.663.6060 (Canada anglais), 800.361.3869 (Canada français).

PROCÉDURE DE RINÇAGE

Chaque fois que le système de filtration d'eau GE est exposé à de l'eau de qualité inconnue, on devrait jeter les cartouches de filtre et rincer le système.

⚠ AVERTISSEMENT : N'utilisez jamais votre système de filtration avec une eau microbiologiquement insalubre ou de qualité inconnue sans avoir un dispositif de désinfection adéquate en amont ou en aval de votre système. Les systèmes homologués pour la réduction des kystes peuvent être utilisés sur une eau désinfectée pouvant contenir des kystes filtrables.

Circonstances qui peuvent nécessiter un rinçage du système :

- Notification de la nécessité de faire bouillir l'eau
- Inondation du système de filtration d'eau GE
- Inutilisation prolongée

Méthode de rinçage du système de filtration d'eau GE :

1. Voir la section Remplacement des cartouches de filtre et suivez les étapes 1–5.

Avant d'appeler un réparateur...



Conseils de dépannage

Économisez du temps et de l'argent! Consultez d'abord le tableau ci-dessous et vous pourrez peut-être éviter de faire appel à un réparateur.

Problème	Causes possibles	Correctifs
L'eau contient des petites particules noires	Les nouvelles cartouches de filtre contiennent du charbon actif.	<ul style="list-style-type: none"> Ouvrez le robinet d'eau filtrée et laissez ces premières particules de charbon sortir de la cartouche. Fermez le robinet quand l'eau est limpide.
L'eau a des bulles d'air et est trouble	Il y a de l'air dans le système après l'installation.	<ul style="list-style-type: none"> L'air disparaîtra après que l'eau ait coulé pendant un instant.
L'indicateur lumineux scintille sur la base de robinet	Il y a eu six mois d'usage. C'est la durée de vie maximale de les cartouches de filtre.	<ul style="list-style-type: none"> Remplacez les cartouches de filtre et la pile dans la base de robinet.
L'indicateur lumineux sur la base de robinet ne clignote pas	<p>C'est normal.</p> <p>Il faut peut-être remplacer la pile.</p>	<ul style="list-style-type: none"> Ne clignote pas avant 6 mois de fonctionnement. Normalement, la lumière est éteinte. La lumière clignote toutes les 30 secondes pour indiquer qu'il faut changer le filtre. Cela se produit tous les 6 mois. Remplacez la pile. L'indicateur clignotera rapidement 5 fois pour indiquer une bonne installation et un bon fonctionnement.
L'indicateur lumineux sur la base de robinet ne fonctionne pas quand vous installez une nouvelle pile	Il est possible que la pile ait besoin d'être remplacée, ou vous pouvez l'avoir mal installée.	<ul style="list-style-type: none"> Observez les marques d'orientation sur le tiroir à pile. Installez la pile avec le côté "+" par en bas.
Il y a un goût et une odeur de chlore dans l'eau du produit	La cartouche de filtre ne réduit plus le taux de chlore, le goût et l'odeur de l'approvisionnement d'eau.	<ul style="list-style-type: none"> Remplacez les cartouches de filtre.
L'eau coule très lentement	<p>Les filtres ont été installés trop longtemps.</p> <p>Les cartouches de filtre sont bouchées.</p>	<ul style="list-style-type: none"> Nous recommandons de changer le filtre tous les six mois. Remplacez les cartouches de filtre. Des niveaux de sédiments importants peuvent occasionner un engorgement prématuré. Remplacez les cartouches de filtre.
Les raccords coulent	Il est possible que les tuyaux ne soient pas bien installés.	<ul style="list-style-type: none"> Suivez bien les instructions d'installation et assurez-vous que les tuyaux sont exempts d'ébréchures, bavures, etc., et soient installés à la bonne profondeur.
Il n'y a pas d'eau qui sorte du système	Les cartouches de filtre ne sont pas complètement installés.	<ul style="list-style-type: none"> Suivez bien les instructions de remplacement du filtre.

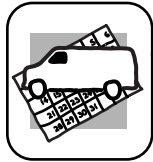
Soutien au consommateur.



Site Web appareils électroménagers GE

www.electromenagersge.ca

Vous avez une question ou vous avez besoin d'aide pour votre appareil électroménager? Contactez-nous par Internet au site www.electromenagersge.ca 24 heures par jour, tous les jours de l'année.



Service de réparations

www.electromenagersge.ca

Service de réparations GE est tout près de vous.
Pour faire réparer votre électroménager GE, il suffit de nous téléphoner (800.561.3344).



Studio de conception réaliste

www.electromenagersge.ca

Sur demande, GE peut fournir une brochure sur l'aménagement d'une cuisine pour les personnes à mobilité réduite. Appelez-nous au 800.833.4322.

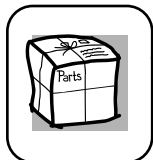


Prolongation de garantie

www.electromenagersge.ca

Achetez un contrat d'entretien GE avant que votre garantie n'expire et bénéficiez d'un rabais substantiel. Ainsi le service après-vente GE sera toujours là après expiration de la garantie.

Visitez notre site Web ou appelez-nous au 800.626.2224



Pièces et accessoires

www.electromenagersge.ca

Ceux qui désirent réparer eux-mêmes leurs électroménagers peuvent recevoir pièces et accessoires directement à la maison (cartes VISA, MasterCard et Discover acceptées). Visitez notre site Web ou appelez-nous au 800.626.2002 (EU), au 800.663.6060 (Canada-Anglais), au 800.361.3869 (Canada-Français).

Les directives stipulées dans le présent manuel peuvent être effectuées par n'importe quel utilisateur. Les autres réparations doivent généralement être effectuées par un technicien qualifié. Soyez prudent, car une réparation inadéquate peut affecter le fonctionnement sécuritaire de l'appareil.



Contactez-nous

www.electromenagersge.ca

Si vous n'êtes pas satisfait du service après-vente dont vous avez bénéficié :

Premièrement, communiquez avec les gens qui ont réparé votre appareil.

Ensuite, si vous n'êtes toujours pas satisfait envoyez tous les détails—numéro de téléphone compris—au Manager, Customer Relations, GE Appliances, Appliance Park, Louisville, KY 40225.



Inscrivez votre appareil électroménager

www.electromenagersge.ca

Inscrivez votre appareil électroménager en direct, aussitôt que possible. Cela améliorera nos communications et notre service après-vente. Vous pouvez également nous envoyer par la poste le formulaire d'inscription joint à votre documentation.

Système de filtration d'eau GE—Garantie.

GARANTIE LIMITÉE D'UN AN

- *Que couvre la garantie?*
 - Tout défaut de matériel ou de main d'oeuvre du produit.
- *Q'est-ce qui n'est pas couvert par la garantie?*
 - Les cartouches de filtre et les piles après trente jours à partir de la date d'achat.
 - Les déplacements à votre domicile pour vous enseigner comment utiliser le produit.
 - Une installation, remise ou entretien incorrecte.
 - Une panne du produit causée par un abus d'utilisation, une mauvaise utilisation, toute modification, exploitation commerciale ou une utilisation du produit dans un but non prévu.
 - Utilisation de ce produit lorsque l'eau est microbiologiquement impure ou de qualité inconnue sans qu'une désinfection adéquate n'ait eu lieu avant l'entrée et sortie dans le circuit. Les systèmes homologués pour une réduction des microbes peuvent être utilisés après désinfection de l'eau pouvant contenir des microbes filtrables.
 - Tout dommage causé au produit par accident, incendie, inondation ou acte de Dieu.
 - **Tout dommage fortuit ou indirect causé par des défauts éventuels de cet appareil, son installation ou les réparations effectuées.**
- *Quelle est la durée de la garantie après l'achat?*
 - Un an.

- *Comment dois-je faire ma réclamation?*
 - Ramenez le produit au magasin où vous l'avez acheté avec un exemplaire de la "Preuve d'achat". Une unité neuve ou remise à neuf sera fournie. Cette garantie exclut les coûts d'expédition ou les déplacements de service à votre domicile.

EXCLUSION DE GARANTIES IMPLICITES—Votre seul et unique recours est l'échange du produit selon les dispositions de cette Garantie limitée. Toutes les garanties implicites, incluant les garanties de commercialité et d'adéquation à un usage spécifique, sont limitées à une année ou à la période la plus courte autorisée par la législation.

Cette garantie couvre l'acheteur original et tout propriétaire subséquent des produits achetés à des fins résidentielles ou de bureau à l'intérieur des États-Unis. En Alaska, cette garantie exclut le coût d'expédition ou les appels de service à votre maison ou bureau. Certains États ne permettent pas l'exclusion ou la restriction des dommages accessoires ou consécutifs. Cette garantie vous donne des droits juridiques particuliers, mais vous pouvez également avoir d'autres droits qui varient d'État à État. Pour connaître vos droits juridiques, consultez le bureau de protection du consommateur de votre localité, de votre État ou le procureur général de votre État.

Contactez nous sur ge.com, ou appelez le numéro sans frais 800.952.5039 aux États-Unis. Au Canada, contactez nous sur www.electromenagersge.ca, ou appelez le numéro sans frais 866.777.7627.

Imprimé aux États-Unis

La sección en Español.

Instrucciones de seguridad34

Generalidades del sistema35-39

Instrucciones

de instalación40-46

Installation de la batería45

Instalación de la tubería45

Instalación del grifo41, 42

Instalación del sistema43, 44

Procedimiento para lavar46

Reposición del filtro46

Suministro del agua40, 41

Consejos para la solución

de problemas47

Soporte al

consumidorCubierta posterior



El modelo GXSL55R se ha sometido a la prueba y ha recibido la certificación de NSF International contra la norma 42 de NSF/ANSI para la reducción de cloro: sabor y olor y clase I de partículas y la norma 53 para la reducción de plomo, quistes, turbidez, amianto, mercurio, lindano, atrazina, toxafeno y 2,4-D.

El modelo GXSV65R se ha sometido a la prueba y ha recibido la certificación de NSF International contra la norma 42 de NSF/ANSI para la reducción de cloro: sabor y olor y clase I de partículas y la norma 53 para la reducción de plomo, quistes, turbidez, amianto, mercurio, lindano, atrazina, bencina y VOC.

INFORMACIÓN DE SEGURIDAD IMPORTANTE.

▲ ADVERTENCIA: Lea todo el manual. No seguir todas las guías y normas podría provocar lesiones personales o daños a la propiedad.

PRECAUCIONES DE SEGURIDAD

■ Use el Sistema de Filtración de Agua solamente en un suministro de agua potable *FRÍA* que sea segura para el consumo. El cartucho del filtro no purificará el agua ni la hará segura para el consumo.

■ **No use** en un suministro de agua caliente (100°F Máx.). Instale sólo en una línea de agua fría.

▲ ADVERTENCIA: *No use con agua que sea microbiológicamente insegura o de calidad desconocida sin una desinfección adecuada del sistema antes o después. Los sistemas certificados para la reducción de quistes pueden ser usados en agua desinfectada que podría contener quistes filtrables.*

INSTALACIÓN CORRECTA

Este sistema de filtración debe ser instalado correctamente y ubicado según las Instrucciones de instalación antes de su uso.

▲ PRECAUCIÓN: Para reducir el riesgo de daños a la propiedad debido a pérdidas de agua, instale o almacene en un lugar donde no se vea expuesto a temperaturas de congelamiento o a cualquier clase de condición climática extrema. Si el agua se congela en el sistema, éste puede dañarse y puede provocar un bloqueo de agua, dañando la propiedad. Cambie el filtro si estuvo expuesto a temperaturas de congelamiento. Si el agua se congela en el sistema lo dañará. No intente tratar el agua por encima de 100°F.

▲ ADVERTENCIA: *Deseche después de la instalación todos los materiales de empaquetado y aquellos que no fueron usados. Las partes pequeñas que sobren después de la instalación podrían representar un peligro.*

■ Su sistema de filtración de agua soportará hasta 120 libras por pulgada cuadrada (psi) de presión de agua. Si la presión del suministro de agua de su casa es mayor de 80 psi, instale una válvula reductora de presión antes de instalar el sistema de filtración de agua.

LEA Y SIGA CUIDADOSAMENTE ESTA INFORMACIÓN DE SEGURIDAD.

CONSERVE ESTAS INSTRUCCIONES

Pautas de las especificaciones.

Se pueden reducir muchos malos olores y/o sabores del agua usando cartuchos de carbono para el filtro. Se usan principalmente para reducir el olor y sabor a cloro. También pueden reducir otros elementos no deseados del suministro de agua, tales como contaminantes químicos orgánicos y plomo.

NOTA: *Se pueden reducir por poco tiempo pequeñas cantidades de sulfuro de hidrógeno como el olor a "huevo podrido" usando filtros de olor y sabor, pero el medio de carbono se agota rápidamente. Por lo general, se requieren otros equipos acondicionadores de agua para el tratamiento continuo del sulfuro de hidrógeno.*

El sistema de filtración de agua utiliza los siguientes cartuchos

Modelo GXSL55R

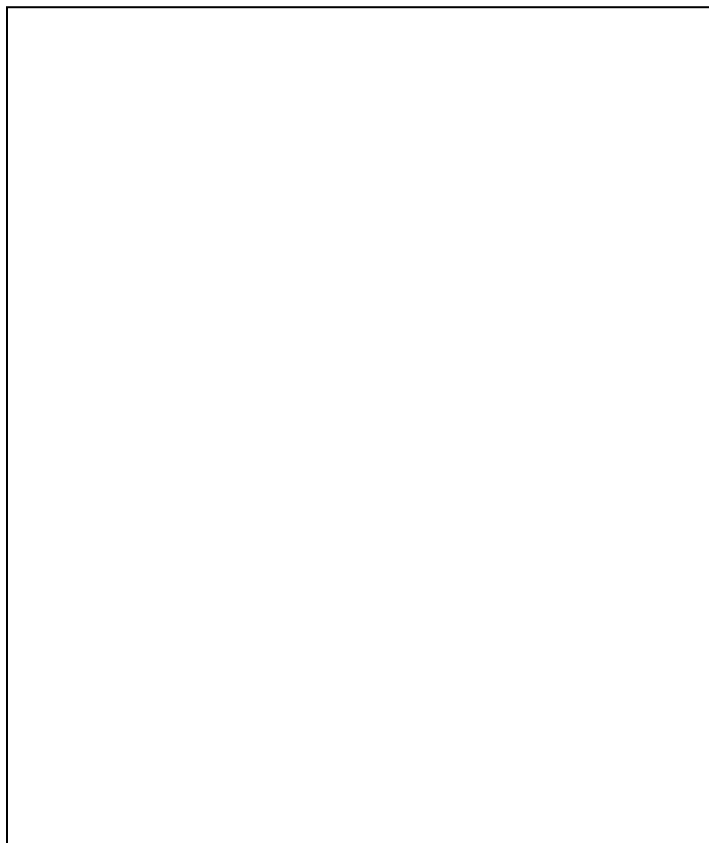
Filtro FQSLF

(capacidad de 1200 galones)

Filtro—cartuchos blancos con banda amarilla

- Reduce la suciedad, el óxido y los sedimentos
- Reduce el sabor y olor a cloro
- Reduce el plomo
- Reduce los quistes filtrables (como *cristosporidium* y *giardia*)
- Reduce la turbidez
- Reduce el amianto
- Reduce el mercurio
- Reduce el lindano
- Reduce la atrazina
- Reduce el toxafeno
- Reduce 2,4-D
- Reducción nominal de partículas de 0,5–1 micrón

Este sistema se conforma a las normas 42 y 53 NSF/ANSI en cuanto a las afirmaciones específicas de desempeño según verificación y admisión de los datos de las pruebas. Consulte la hoja de datos del desempeño para detalles.



Pautas de las especificaciones.

El sistema de filtración de agua utiliza los siguientes cartuchos

Modelo GXSV65R

Filtro FQSVF

(capacidad de 160 galones)

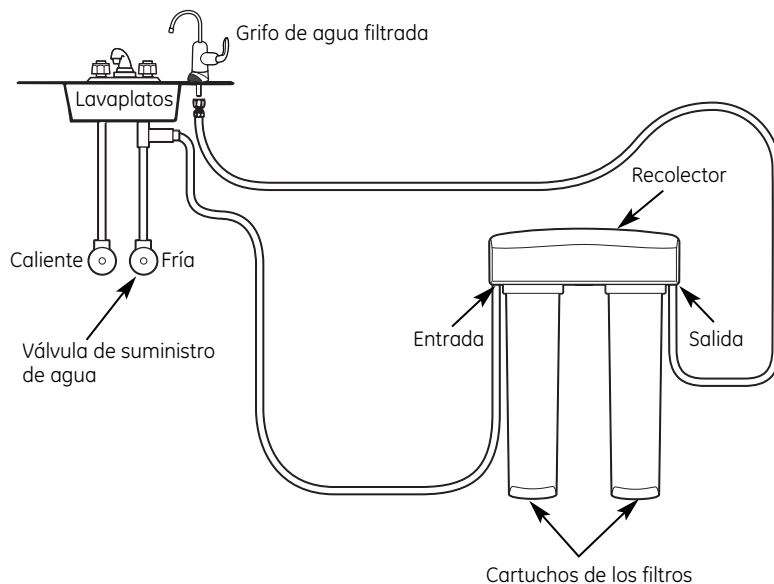
Filtro—cartuchos blancos con banda verde

- Reduce la suciedad, el óxido y los sedimentos
- Reduce el sabor y olor a cloro
- Reduce el plomo
- Reduce los quistes filtrables (como cristosporidium y giardia)
- Reduce la turbidez
- Reduce el amianto
- Reduce el mercurio
- Reduce el lindano
- Reduce la atrazina
- Reduce la bencina
- Reduce VOC
- Reducción nominal de partículas de 0,5–1 micrón

Este sistema se conforma a las normas 42 y 53 NSF/ANSI en cuanto a las afirmaciones específicas de desempeño según verificación y admisión de los datos de las pruebas. Consulte la hoja de datos del desempeño para detalles.

Generalidades sobre la instalación

Coloque el sistema de agua potable en la tubería de suministro de agua fría, debajo del lavaplatos de la cocina y/o del baño para filtrar el agua fría.



Hoja de datos de funcionamiento.

Cartucho FQSLF de sistema de filtración GE SmartWater GXSL55R

- Este sistema se ha sometido a las pruebas NSF/ANSI 42 y 53 a fin de reducir las sustancias presentadas a continuación. Se redujo la concentración de las sustancias indicadas en el agua que ingresan en el sistema a una concentración menor o igual al límite permitido para el agua que sale del sistema, como se especifica en NSF/ANSI 42 y 53.
- El desempeño real puede variar de acuerdo a las condiciones locales del agua.

⚠ ADVERTENCIA: No use con agua que sea microbiológicamente insegura o de calidad desconocida sin una desinfección adecuada del sistema antes o después. Los sistemas certificados para la reducción de quistes pueden ser usados en agua desinfectada que podría contener quistes filtrables.

Estándar No. 42: Efectos estéticos								
Parámetro	USEPA MCL	Calidad del influente concentración	Promedio influente	Effluente		% de reducción		Reducción mínima necesaria
				Promedio	Máximo	Promedio	Mínimo	
Cloro	—	2,0 mg/L + 10%	2,00 mg/L	0,050625 mg/L	0,06 mg/L	97,52%	97,00%	>50%
T & O	—	—	—	—	—	—	—	—
Partículas nominales**	—	por lo menos 10.000 partículas/mL	14.000.000 #/mL	196.666 #/mL	370.000 #/mL	99,00%	97,40%	>85%
Estándar No. 53: Efectos relativos a la salud								
Parámetro	USEPA MCL	Calidad del influente concentración	Promedio influente	Effluente		% de reducción		Reducción mínima necesaria
				Promedio	Máximo	Promedio	Mínimo	
Turbidez	0,5 NTU***	11 + 1 NTU***	10,5 NTU	0,125 NTU	0,30 NTU	98,80%	97,30%	0,5 NTU
Quistes	99,95% red.	Mín. 50.000 L	122.500 #/L	<1 #/L	<1 #/L	>99,99%	>99,99%	>99,95%
Amianto	99% red.	10 ⁷ y 10 ⁸ ; fibras >10 micrómetros de largo	126,5 MF/L	<0,17 MF/L	<0,17 MF/L	>99,99%	>99,99%	>99%
Plomo, pH 6,5	0,010 mg/L	0,015 mg/L + 10%	0,150 mg/L	<0,001 mg/L	<0,001 mg/L	>99,30%	>99,30%	0,010 mg/L
Plomo, pH 8,5	0,010 mg/L	0,015 mg/L + 10%	0,150 mg/L	<0,001 mg/L	<0,001 mg/L	>99,30%	>99,30%	0,010 mg/L
Mercurio, pH 6,5	0,002 mg/L	0,006 mg/L ± 10%	0,006 mg/L	0,0003 mg/L	0,0005 mg/L	95,00%	91,70%	0,002 mg/L
Mercurio, pH 8,5	0,002 mg/L	0,006 mg/L ± 10%	0,0059 mg/L	0,00073 mg/L	0,0018 mg/L	88,10%	69,20%	0,002 mg/L
Atrazine	0,003 mg/L	0,009 mg/L + 10%	0,0102 mg/L	0,00105 mg/L	0,0027 mg/L	89,40%	76,30%	0,003 mg/L
Lindane	0,0002 mg/L	0,002 mg/L + 10%	0,0019 mg/L	0,000035 mg/L	0,00016 mg/L	97,90%	91,80%	0,0002 mg/L
2,4-D	0,07 mg/L	0,200 mg/L ± 10%	0,2005 mg/L	0,017575 mg/L	0,064 mg/L	84,90%	69,00%	0,07 mg/L
Toxaphene	0,003 mg/L	0,015 ± 10%	0,015 mg/L	<0,001 mg/L	<0,001 mg/L	>93,3%	>93,3%	0,003 mg/L

*Probado utilizando una tasa de flujo de 0,78 gpm (2,95 l/min); presión de 60 psig; pH de 7,5 ± 0,5; temp. de 68° ± 5° F (20° ± 3° C)

**Medición en partículas/mL. Las partículas usadas eran de 0,5–1 micrón.

***NTU—unidades de turbidez nefelométrica

Especificaciones de operación

Capacidad: certificado para hasta 1200 galones (4542 l); hasta seis meses

Requerimientos de presión: 35–120 psi (2,8–8,2 bar)

Temperatura: 33°–100° F (0,6°–38° C)

Tasa de flujo: 0,78 gpm (2,95 l/min)

Repuesto de los cartuchos de los filtros/Costos estimados de reposición

FQSLF—Repuesto del cartucho del filtro \$30–35

Para repuestos, llame gratis al 800.626.2002 (EE.UU.).

Hoja de datos de funcionamiento.

Cartucho FQSVF de sistema de filtración GE SmartWater GXSV65R

■ Este sistema se ha sometido a las pruebas NSF/ANSI 42 y 53 a fin de reducir las sustancias presentadas a continuación. Se redujo la concentración de las sustancias indicadas en el agua que ingresan en el sistema a una concentración menor o igual al límite permitido para el agua que sale del sistema, como se especifica en NSF/ANSI 42 y 53.

■ El desempeño real puede variar de acuerdo a las condiciones locales del agua.

▲ ADVERTENCIA: No use con agua que sea microbiológicamente insegura o de calidad desconocida sin una desinfección adecuada del sistema antes o después. Los sistemas certificados para la reducción de quistes pueden ser usados en agua desinfectada que podría contener quistes filtrables.

Estándar No. 42: Efectos estéticos								
Parámetro	USEPA MCL	Calidad del influyente concentración	Promedio influyente	Effluente		% de reducción		Concentración máxima permitida de agua del producto
				Promedio	Máximo	Promedio	Mínimo	
Cloro	—	2,0 mg/L + 10%	2,00 mg/L	<0,05 mg/L	<0,05 mg/L	>97,50%	>97,50%	>50%
T & O	—	—	—	—	—	—	—	—
Partículas**	—	> 10.000 partículas/mL	4.100.000 #/mL	76.500 #/mL	110.000 #/mL	98,10%	97,30%	>85%
Norme N° 53: Effets de santé								
Turbidez	0,5 NTU***	11 + 1 NTU***	11,0 NTU	0,1 NTU	0,1 NTU	98,80%	98,20%	0,5 NTU
Quistes	99,95% red.	Mín. 50.000/L	140.000 #/L	1 #/L	1 #/L	>99,99%	>99,99%	99,95%
Amianto	99% red.	—	280 MF/L	<0,17 MF/L	<0,17 MF/L	>99,00%	>99,00%	99%
Plomo, pH 6,5	0,010 mg/L	0,15 mg/L + 10%	0,150 mg/L	<0,001 mg/L	<0,001 mg/L	>99,30%	>99,30%	0,01 mg/L
Plomo, pH 8,5	0,010 mg/L	0,15 mg/L + 10%	0,140 mg/L	<0,001 mg/L	<0,001 mg/L	>99,30%	>99,30%	0,01 mg/L
Mercurio, pH 6,5	0,002 mg/L	0,006 mg/L ± 10%	0,0065 mg/L	<0,0002 mg/L	<0,0002 mg/L	96,60%	>96,70%	0,002 mg/L
Mercurio, pH 8,5	0,002 mg/L	0,006 mg/L ± 10%	0,0059 mg/L	<0,0002 mg/L	<0,0002 mg/L	96,60%	>96,70%	0,002 mg/L
Lindane	0,0002 mg/L	0,002 mg/L ± 10%	0,00193 mg/L	<0,00002 mg/L	0,00005 mg/L	>98,80%	98,80%	0,0002 mg/L
Benzene	0,001 mg/L	0,015 mg/L ± 10%	0,014 mg/L	<0,0005 mg/L	<0,0005 mg/L	>96,40%	>96,40%	0,005 mg/L
Atrazine	0,003 mg/L	0,009 mg/L ± 10%	0,00873 mg/L	<0,0005 mg/L	<0,0005 mg/L	>94,10%	>94,10%	0,003 mg/L
Réduction de VOC								
Chloroform	0,080 mg/L	0,300 ± 10%	0,340 mg/L	0,00098 mg/L	0,00620 mg/L	97,90%	98,20%	95%

*Probado utilizando una tasa de flujo de 0,60 gpm (2,27 l/min); presión de 60 psig; pH de 7,5 ± 0,5; temp. de 68° ± 5° F (20° ± 3° C)

**Medición en partículas/mL. Las partículas usadas eran de 0,5–1 micrón.

***NTU—unidades de turbidez nefelométrica

Especificaciones de operación

Capacidad: certificado para hasta 160 galones (605 l); hasta seis meses

Requerimientos de presión: 35–120 psi (2,8–8,2 bar)

Temperatura: 33–100° F (0,6°–38° C)

Tasa de flujo: 0,60 gpm (2,27 l/min)

Repuesto de los cartuchos de los filtros/Costos estimados de reposición

FQSVF—Repuesto del cartucho del filtro \$35–40

Para repuestos, llame gratis al 800.626.2002 (EE.UU.).

Hoja de datos de funcionamiento.

Químicos orgánicos reducidos por la prueba sustituta de cloroformo

Contaminante	Promedio ¹ Influyente (µg/L) ²	Máx. Effluente (µg/L) ²	Contaminante	Promedio ¹ Influyente (µg/L) ²	Máx. Effluente (µg/L) ²
Alachlor	50	1,0 ³	Halocetones (HK):		
Atrazine	100	3,0 ³	1,1-dichloro-2-propanone	7,2	0,1 ⁴
Benzene	81	1,0 ³	1,1,1-trichloro-2-propanone	8,2 ⁶	0,3 ⁴
Carbofuran	190	1,0 ³	Heptachlor (H-34, Heptox)	80	0,4 ³
Carbon Tetrachloride	78	1,8 ⁴	Heptachlor Epoxide	10,7 ⁶	0,2 ⁶
Chlorobenzene	77	1,0 ³	Hexachlorobutadiene	44	1,0 ³
Chloropicrin	15	0,2 ⁴	Hexachlorocyclopentadiene	60	0,002 ³
2,4-D	110	1,7 ⁴	Lindane	55	0,01 ³
Dibromochloropropane (DBCP)	52	0,02 ³	Methoxychlor	50	0,1 ³
o-Dichlorobenzene	80	1,0 ³	Pentachlorophenol	96	1,0 ³
p-Dichlorobenzene	40	1,0 ³	Simazine	120	4,0 ³
1,2-Dichloroethane	88	4,8 ⁵	Styrene	150	0,5 ³
1,1-Dichloroethylene	83	1,0 ³	1,1,2,2-Tetrachloroethane	81	1,0 ³
cis-1,2-Dichloroethylene	170	0,5 ³	Tetrachloroethylene	81	1,0 ³
trans-1,2-Dichloroethylene	86	1,0 ³	Toluene	78	1,0 ³
1,2-Dichloropropane	80	1,0 ³	2,4,5-TP (silvex)	270	1,6 ³
cis-1,3-Dichloropropylene	79	1,0 ³	Tribromoacetic acid	42	1,0 ³
Dinoseb	170	0,2 ⁴	1,2,4-Trichlorobenzene	160	0,5 ³
Endrin	53	0,59 ⁴	1,1,1-Trichloroethane	84	4,6 ⁴
Ethylbenzene	88	1,0 ³	1,1,2-Trichloroethane	150	0,5 ³
Ethylene Dibromide (EDB)	44	0,02 ³	Trichloroethylene	180	1,0 ³
Haloacetone nitriles (HAN):			Trihalomethanes (includes):	300	15
Bromochloroacetonitrile	22	0,5 ⁴	Chloroform (surrogate chemical)		
Dibromoacetonitrile	24	0,6 ⁴	Bromoform		
Dichloroacetonitrile	9,6	0,2 ⁴	Bromodichloromethane		
Trichloroacetonitrile	15	0,3 ⁴	Chlorodibromomethane		
			Xylenes (total)	70	1,0 ³

¹ Los niveles de reto influyente son concentraciones influyentes promedio determinadas en pruebas de calificación sustitutas.

² µg/L significa microgramos por litro.

³ El nivel máximo del agua del producto no se observó pero fue colocado a un límite de detección para el análisis.

⁴ El nivel máximo del producto es colocado a un valor determinado por la prueba de calificación sustituta.

⁵ El porcentaje de la reducción química y el nivel máximo del agua del producto calculado a un punto de ruptura de 95% de cloroformo según lo determinado en la prueba de calificación sustituta.

⁶ Los resultados de la prueba de sustitución para el Epóxido heptacloro demostraron una reducción de 98%. Estos datos fueron usados para calcular la ocurrencia de una concentración superior, la que produciría un nivel máximo de agua del producto en el MCL.

La prueba fue llevada a cabo bajo condiciones de laboratorios estándares; el rendimiento real podría variar.

NOTA: Las sustancias reducidas no están necesariamente en su agua. El filtro debe mantenerse de acuerdo con las instrucciones del fabricante, incluyendo los cartuchos de reemplazo.

ADVERTENCIA: No use con agua que no sea microbiológicamente segura o de calidad desconocida sin desinfección adecuada antes y después del sistema. Los sistemas certificados para la reducción del quiste podrían usarse en aguas desinfectadas que contienen quistes filtrables.

Instrucciones de instalación

Sistema de filtración montado en el grifo –

GXSL55R y GXSV65R

RECOMENDACIONES IMPORTANTES PARA LA INSTALACIÓN

⚠ ADVERTENCIA – Lea el manual completo. No seguir todas las pautas y reglas podría causar lesiones personales y a la propiedad.

- Consulte con su departamento local de obras públicas para los códigos de plomería. Usted debe seguir estas pautas a medida que instala el sistema de filtración de agua.

HERRAMIENTAS Y MATERIALES NECESARIOS PARA LA INSTALACIÓN

- Destornillador de estrella
- Dos (2) llaves ajustables
- Taladro eléctrico y broca para el taladro para perforar un orificio de 1-1/2" (del tipo necesario) para el grifo, si necesario
- Cinta métrica
- Si su línea de agua principal es de tubería rígida, usted necesitará un accesorio de compresión y posiblemente alguna otra herramienta de plomería para completar la instalación.

⚠ PRECAUCIÓN – Para evitar daños al lavaplatos, consulte con un plomero o instalador calificado para los procedimientos de perforación. Podrían necesitarse brocas especiales para porcelana o acero inoxidable.

CONTENIDO INCLUIDO CON EL PRODUCTO

- Ensambladura del sistema de filtración de agua, incluyendo los tornillos de instalación
- Adaptador para la alimentación de agua
- Ensambladura del grifo con un monitor de base electrónico y tubería

ACCESORIO PARA EL SUMINISTRO DE AGUA FRÍA

A. INSTALACIÓN PREFERIDA

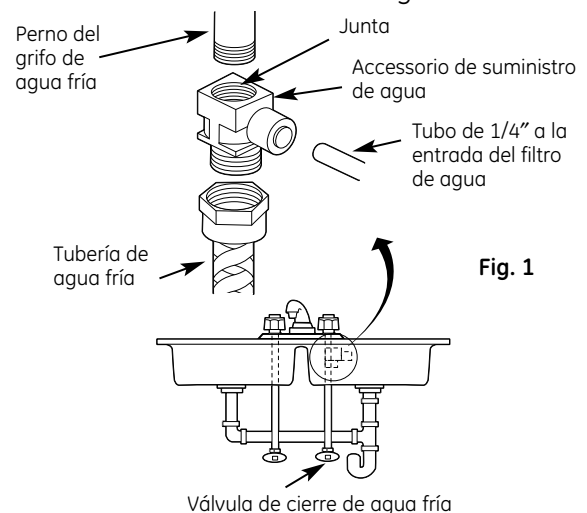
(Utilizando la válvula existente de suministro de agua del lavaplatos de la cocina y la tubería flexible del grifo)

En la ilustración que aparece a continuación se muestra una conexión típica usando el accesorio para el suministro de agua incluido.

1. Cierre la válvula de agua que se encuentra inmediatamente en frente del tubo de suministro y abra los grifos para dejar correr el agua de la tubería de agua fría del lavaplatos.
2. Retire la tuerca que conecta el grifo de agua fría al tubo de suministro. Es posible que se derrame un poco de agua.

NOTAS:

- Asegúrese de cerrar el suministro de agua y abra el grifo para drenar la tubería.
- Asegúrese que esté instalada la junta en el accesorio de suministro de agua.



3. Ajuste en forma manual el accesorio de suministro de agua fría en el grifo de agua fría. Asegúrese que la junta, como se muestra, esté en su lugar antes del ensamble final. Termine de colocar la misma con una llave de ajuste. **Asegúrese de no forzar ni presionar por demás a fin de evitar dañar la rosca.** Asegúrese que la conexión rápida de 1/4" no esté contra una pared que haga que la conexión del tubo de suministro se tuerza. Es posible que se necesite presionar o aflojar el adaptador con un cuarto de giro a fin de evitar esto.
4. Vuelva a conectar la tubería del grifo al accesorio.
5. Instale la tubería. (Consulte la sección de Instalación de la tubería.)

Instrucciones de instalación

ACCESORIO PARA EL SUMINISTRO DE AGUA FRÍA (CONT.)

B. INSTALACIÓN OPCIONAL EN EL HOGAR

(Donde lo permitan los códigos)

Válvula de asiento: La válvula de asiento debe poder conectarse con el tubo de 1/4 de pulgada suministrado con el sistema. No se suministra con el producto; consulte en la ferretería local o tienda de servicios para el hogar. La válvula de asiento típicamente requiere una tubería con un diámetro exterior de 1/2" o superior.

NOTA: Los códigos del estado de Massachusetts exigen la instalación por parte de un plomero con licencia y no permite el uso de una válvula de asiento. Para la instalación, utilice el código de plomería 248-CMR del estado de Massachusetts.

1. Cierre el suministro del agua fría e instale la válvula de asiento según lo requiera el producto (Cerciórese de seguir las instrucciones de instalación del fabricante).

⚠ PELIGRO — Si se necesita taladrar un agujero en la tubería, para protegerse contra lesiones serias o choques fatales, utilice únicamente un taladro manual operado por batería para perforar el orificio. **NO UTILICE UN TALADRO ELÉCTRICO.**

2. Abra la válvula de asiento después de haber instalado todo el sistema.

C. INSTALACIÓN OPCIONAL

(Para la instalación con una tubería rígida entre la válvula de suministro y el grifo del lavaplatos)

Opción 1

1. Remueva la tubería de la válvula de suministro y del grifo del lavaplatos.
2. Obtenga tubería flexible con un tamaño acorde con su tubería de la casa.
3. Instale la tubería flexible.
4. Refiérase a A. Sección de instalación preferida en el paso 3.

Opción 2

1. Obtenga accesorios de compresión para hacer el ajuste de la tubería rígida.
2. Obtenga cualquier accesorio requerido para conectar el adaptador de compresión al adaptador para la alimentación de agua.
3. Remueva la tubería de la válvula de suministro.
4. Corte la tubería para que se ajuste a la longitud de los accesorios ensamblados y al adaptador.
5. Instale el accesorio de compresión a la tubería.
6. Refiérase a A. Sección de instalación preferida en el paso 3.

NOTA: Los materiales descritos anteriormente no están incluidos con el producto.

INSTALACIÓN DEL GRIFO

Cerciórese de que haya suficiente espacio debajo y encima del lavaplatos para realizar la conexión necesaria. Antes de empezar, cerciórese de que haya suficiente espacio para la base del grifo y la unidad. Seleccione uno de los siguientes lugares para instalar el grifo:

- A. En un orificio accesorio rociador existente en el lavaplatos u orificio de dispensador de jabón.
- B. En un orificio a perforar en la parte superior del lavaplatos.
- C. En un orificio a perforar en el mostrador, al lado del lavaplatos.

NOTAS:

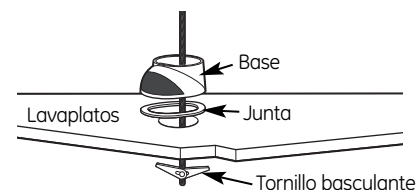
- Cerciórese de que la base del grifo quede plana contra la superficie en la ubicación seleccionada de manera que la junta de abajo entre la base y el área de la superficie quede sellada.
- Asegúrese de dejar suficiente espacio libre en la parte trasera del grifo en caso de que necesite quitarlo.

Pasos para la instalación (ver ilustración de abajo para mayor clarificación)

1. Si es necesario perforar, haga un orificio de 1-1/2" de diámetro. **Cerciórese de utilizar el procedimiento correcto para perforar porcelana o acero inoxidable. Podría necesitar brocas adicionales. Consulte a un plomero calificado para el procedimiento correcto.**

NOTA: Cuando realice perforaciones en acero inoxidable, los bordes pueden ser filosos y podrían perforar el tubo. Tenga cuidado de no cortarse o dañar el tubo.

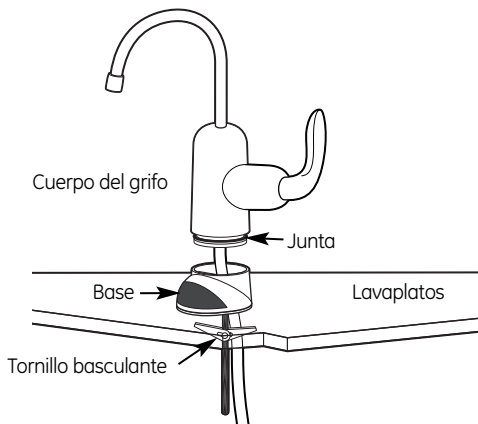
2. Quite el cuerpo del grifo y la base girando la base en sentido contrario de las agujas del reloj.
3. Alinee la junta para cubrir el orificio por completo. Luego coloque el tornillo basculante de la base dentro del orificio.



Instrucciones de instalación

INSTALACIÓN DEL GRIFO (CONT.)

- Ajuste el tornillo basculante hasta que la base esté bien fija en su lugar y no se desplace o gire.
- Coloque el tubo de agua a través de la base del grifo. Luego presione el tubo dentro del accesorio de la parte inferior del cuerpo del grifo. Debe ingresar alrededor de 3/4". Tire del tubo ligeramente para asegurar que esté bien conectado.



- Presione el cuerpo del grifo dentro de la base del grifo y gire en sentido de las agujas del reloj hasta que se traben en su lugar.

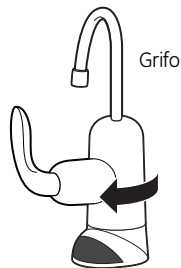
NOTA: El grifo puede instalarse de modo tal que la manija quede del lado derecho o del izquierdo.

Si desea que la manija del grifo quede en la derecha, coloque la manija en la parte trasera de la base del grifo antes de girar en sentido de las agujas del reloj.

Si desea que la manija del grifo quede en la izquierda, coloque la manija en la parte frontal de la base del grifo antes de girar en sentido de las agujas del reloj.



Manija del grifo sobre la DERECHA

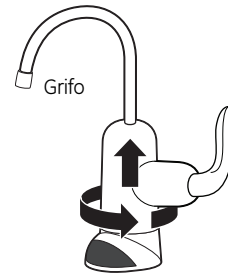


Manija del grifo sobre la IZQUIERDA

INSTALACIÓN DEL GRIFO (CONT.)

Para quitar el grifo:

- Corte el suministro de agua.
- Quite el cuerpo del grifo de la base girando el cuerpo del grifo en sentido contrario de las agujas del reloj y jalando el grifo hacia arriba.



Instrucciones de instalación

MONTAJE DEL SISTEMA

Seleccione una ubicación debajo del lavaplatos para instalar el sistema. La ubicación debe ser de fácil acceso, con espacio entre la base de los cartuchos de los filtros y el piso o la base del gabinete; cualquier espacio inferior presentará dificultades para retirar los cartuchos de los filtros (Fig. 5). Permita suficiente espacio para cualquier lado del sistema para las conexiones de la tubería.

INSTALACIÓN DE LOS TORNILLOS

1. Remueva esta plantilla del manual para una instalación más fácil.
2. La parte superior de las aberturas de la plantilla deben colocarse a un mínimo de 17 pulgadas por encima del fondo del gabinete o del piso donde el sistema será montado (Figs. 4 y 5). **NOTA:** Cualquier distancia menor podría resultar en que los cartuchos de los filtros interfieran con el piso cuando sean removidos.
3. Pegue la plantilla a la pared con cinta adhesiva, luego marque la pared donde los tornillos serán instalados.

Instale los tornillos en la pared, dejando un hueco de $\frac{3}{16}$ de pulgada entre la cabeza del tornillo y la pared (taladre agujeros pilotos si es necesario) (Fig. 6).

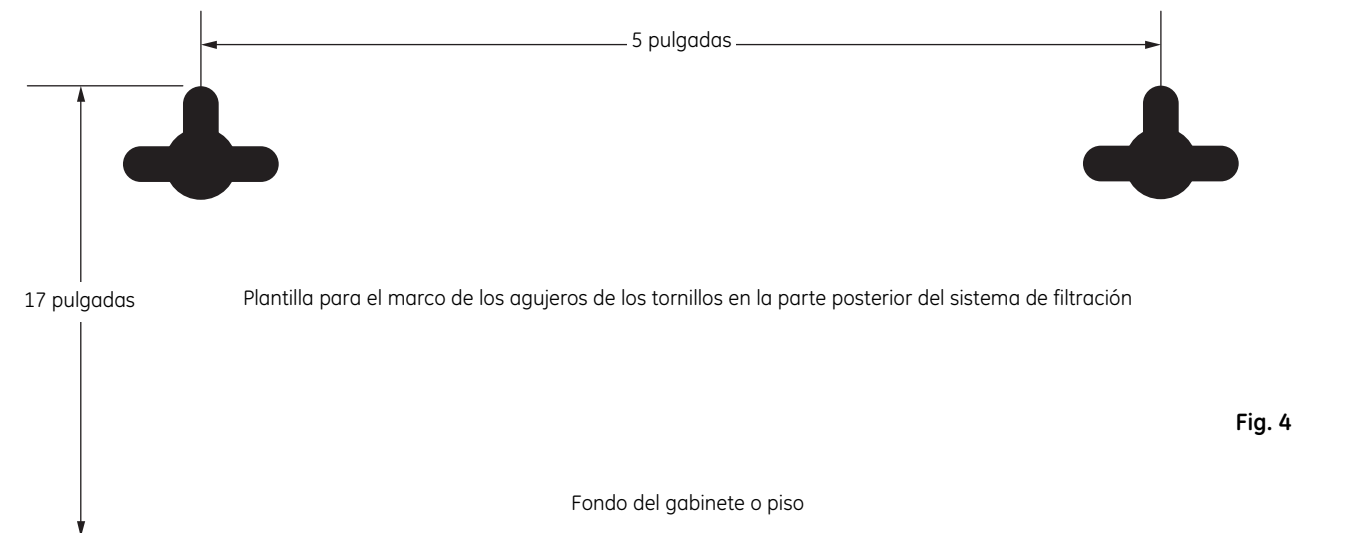


Fig. 4

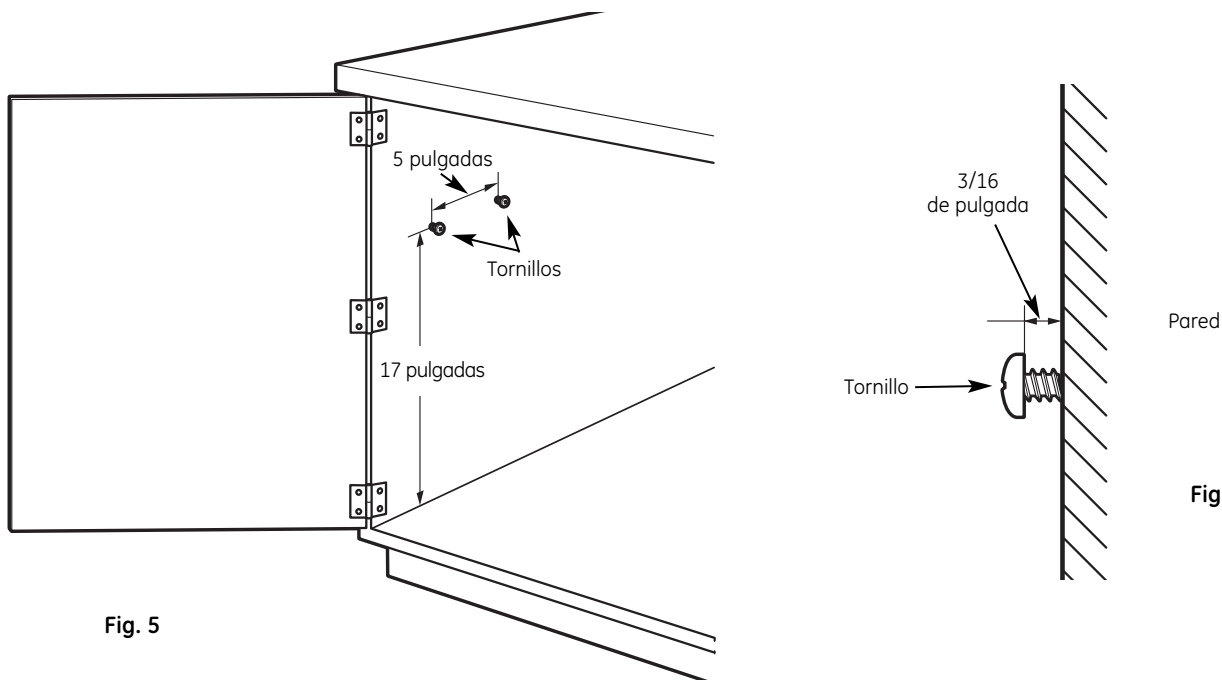


Fig. 5

Fig. 6

Instrucciones de instalación

MONTAJE DEL SISTEMA (CONT.)

Montaje del sistema a los tornillos instalados en la pared

1. Remueva la envoltura de pliegue del sistema del filtro.
2. Cuelgue el sistema en los tornillos previamente instalados usando las aberturas en la parte posterior de la unidad (Fig. 7).
3. Si la cabeza de los tornillos no se deslizan en la ranura superior, destornille 1/4 de vuelta y trate de nuevo.
4. Si el sistema está demasiado flojo cuando sea colocado en la pared, apriete los tornillos 1/4 de vuelta y trate de nuevo hasta que el ajuste apropiado sea logrado.

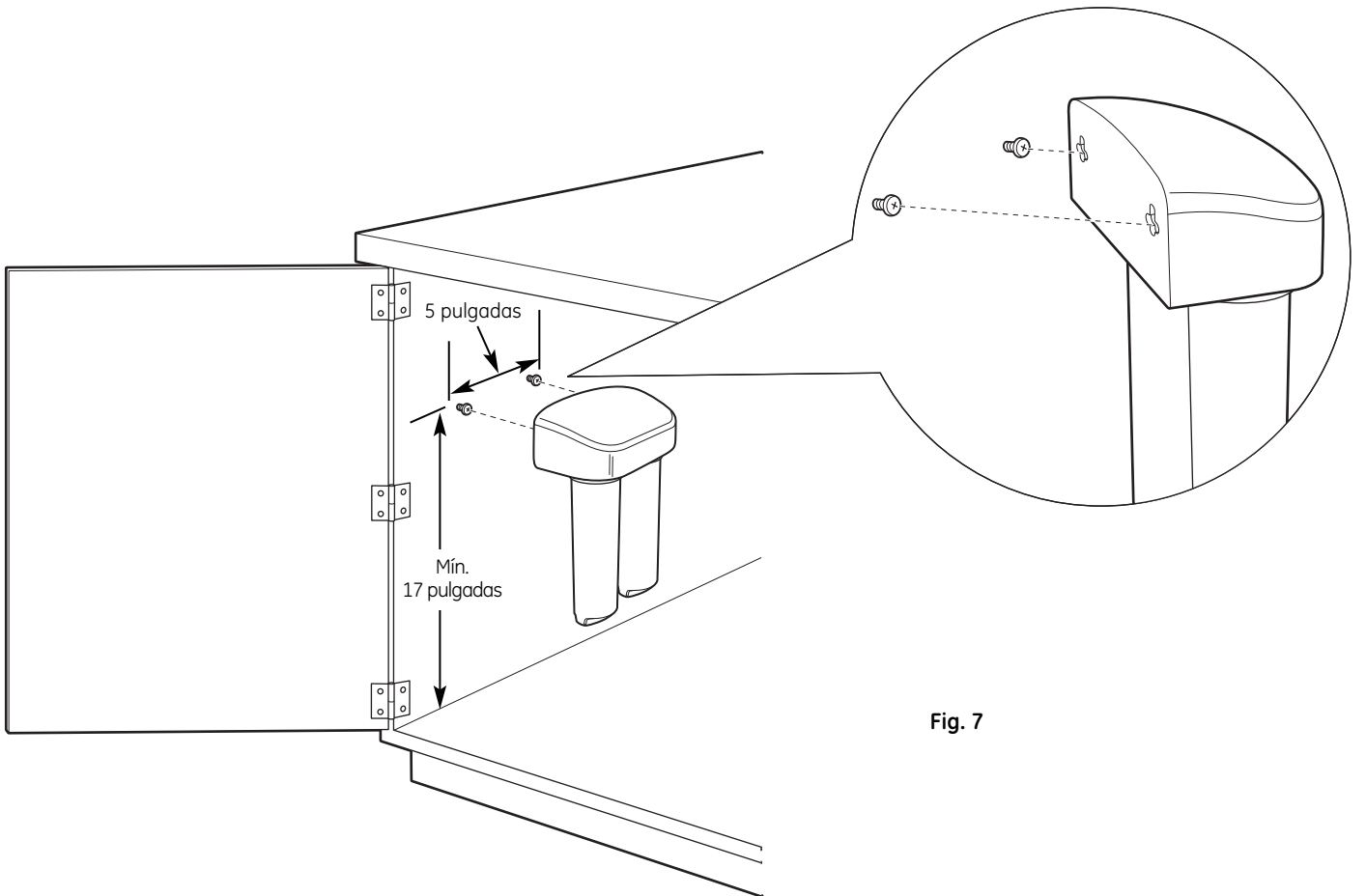


Fig. 7

Instrucciones de instalación

CÓMO INSTALAR LA TUBERÍA

1. Mida una distancia de 3/4 pulgada desde el extremo de cada pieza restante de tubería (extremo del grifo y extremo de la entrada) y marque con lápiz (Fig. 8). (Revise que quede pareja, lisa y que no tenga cortes, hendiduras, puntos planos o bordes filosos. Es posible que se necesite volver a cortar la tubería.)

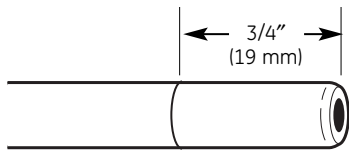
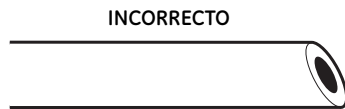
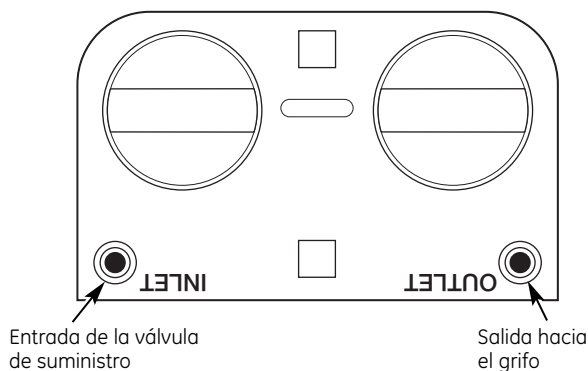


Fig. 8



2. Localice los accesorios para la tubería en la parte inferior del recolector.



3. **NOTA: El flujo de agua es de izquierda a derecha. La entrada del agua está en el lado izquierdo y la salida en el lado derecho. No seguir estas instrucciones podría resultar en fugas cuando los cartuchos de los filtros sean removidos.**
4. Empuje la tubería firmemente hacia cada conexión en el recolector hasta que la tubería esté nivelado con el collar. (Si se retira la tubería, vuelva a cortar el extremo, mida, marque y vuelva a insertar). La tubería debe estar firmemente insertada para evitar fugas (Fig. 9). **(Para retirar la tubería: Libere y sostenga la boquilla blanca; hale la tubería hacia fuera para retirar.)**

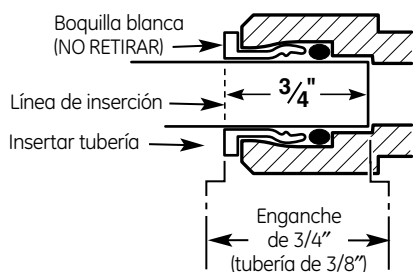


Fig. 9

CÓMO INSTALAR LA TUBERÍA (CONT.)

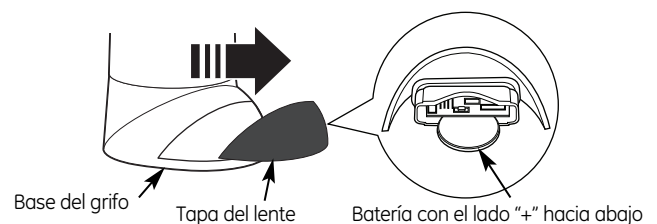
5. Saque la tubería ligeramente para asegurar un buen sellamiento.
6. Instale el otro extremo de la tubería desde el lado de la entrada del recolector al adaptador de suministro de agua.

NOTA: Inspeccione los extremos de la tubería para asegurarse que no haya imperfecciones y que el extremo de la tubería se haya cortado perpendicularmente. Es posible que se necesite volver a cortar la tubería.

INSTALACIÓN DE LA BATERÍA

1. Quite la tapa del lente de la base del grifo. Tómela de ambos lados y tire hacia adelante.
2. Instale una batería 3V CR2032 con el lado "+" hacia abajo dentro de la bandeja de la batería.
3. La luz LED ámbar se iluminará de manera intermitente 5 veces, indicando una instalación correcta y la reinicialización del sistema.
4. Vuelva a colocar la tapa del lente en la base del grifo.
5. Normalmente la luz está apagada. Después de 6 meses de uso, la luz LED ámbar se encenderá de manera intermitente nuevamente cada 30 segundos, indicando que es el momento de reemplazar el filtro.

NOTA: La luz LED ámbar puede dejar de encenderse si se deja por un periodo de tiempo prolongado. Para verificar la operación correcta, se debe cambiar la batería con cada cambio de filtro.



Instrucciones de instalación

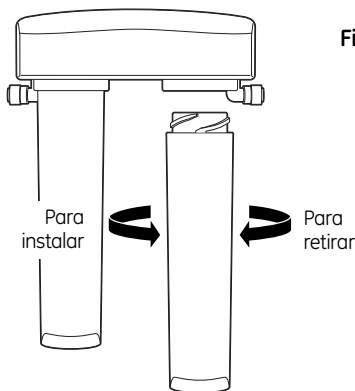
CÓMO REEMPLAZAR LOS CARTUCHOS DE LOS FILTROS

La luz ámbar en la base del grifo se encenderá de forma intermitente cada 30 segundos para indicar que es necesario cambiar el filtro. Esto ocurre cada 6 meses. **PARA MANTENER EL SISTEMA EN FORMA ADECUADA, CAMBIE EL FILTRO COMO SE INDIQUE.**

1. Retire los cartuchos de los filtros del recolector girando los cartuchos hacia la izquierda 1/3 de giro. (Fig. 11). **NOTA:** Podría salir una pequeña cantidad de agua de la tubería entre el filtro y el grifo, la cual se puede absorber con una toalla pequeña.
2. Retire el aluminio de la parte superior de los cartuchos de repuestos. Instale los nuevos cartuchos en el recolector girándolos hacia la derecha alrededor de 1/3 de giro hasta que las marcas de alineación queden en línea y el filtro pare. **NO APRIETE EN EXCESO.** El filtro podría levantarse a medida que se gira.
3. Gire la manija en el grifo para permitir que el aire atrapado se purgue del sistema.

NOTA: Es posible que el sistema haga ruido durante este procedimiento.

4. Busque fugas de agua alrededor del sistema.
5. Una vez que el agua empiece a fluir del grifo, deje que el sistema opere por 4 galones (o 5 minutos) para expulsar cualquier traza de carbono que pueda estar presente.
6. Cierre el grifo y revise alrededor del sistema en busca de fugas.
7. Retire la bandeja de la batería y vuelva a instalar la batería para inicializar el temporizador. (Vea la instalación de la batería para el procedimiento correcto).



Repuestos de los cartuchos de los filtros/ Costos estimados de reposición

FQSLF—Repuesto del cartucho del filtro \$30–35

FQSVF—Repuesto del cartucho del filtro \$35–40

Para repuestos, llame gratis al 800.626.2002 (EE.UU.).

PROCEDIMIENTO PARA LAVAR

Cada vez que agua de calidad desconocida es pasada a través del sistema de filtración de agua GE, los cartuchos de los filtros deberían ser deshechados y el sistema de filtración lavado.

⚠ ADVERTENCIA: No lo utilice con agua no segura desde el punto de vista microbiológico o de calidad desconocida sin una adecuada desinfección antes o después de la instalación. Los sistemas certificados para reducción de quistes pueden usarse con agua desinfectada que puede contener quistes filtrables.

Las circunstancias que podrían requerir el lavado del sistema son:

- Advertencia de que hay que hervir el agua
- Inundación del sistema de filtración de agua GE
- Largo tiempo sin ser usado

El procedimiento para lavar el sistema de filtración de agua GE es:

1. Vea la sección Cómo reemplazar los cartuchos de los filtros y siga los pasos 1–5.

Antes de solicitar un servicio...



Solucionar problemas
¡Ahorre tiempo y dinero! Revise la siguiente tabla primero
y tal vez no necesitará de solicitar un servicio.

Problema	Posibles causas	Qué hacer
<i>El agua contiene pequeñas partículas negras</i>	Los nuevos cartuchos de los filtros contienen carbono activado	<ul style="list-style-type: none"> Abra el grifo de agua filtrada y permita que estas partículas iniciales de carbono se purguen de los cartuchos. Cierre el grifo cuando el agua salga limpia.
<i>El agua tiene burbujas de aire y está turbia</i>	Hay aire en el sistema después de la instalación.	<ul style="list-style-type: none"> Desaparecerá después de que el agua corra por un tiempo.
<i>La luz indicadora en la base del grifo está intermitente</i>	Han transcurrido seis meses de uso. Esta es la vida máxima de los cartuchos de los filtros.	<ul style="list-style-type: none"> Reemplace los cartuchos de los filtros y la batería en la base del grifo.
<i>La luz indicadora en la base del grifo no está intermitente.</i>	<p>Esto es normal.</p> <p>Es posible que la batería necesite reemplazo.</p>	<ul style="list-style-type: none"> No parpadea hasta que 6 meses de operación han transcurrido. Normalmente la luz no está encendida. La luz se enciende de manera intermitente para indicar que es necesario cambiar el filtro. Esto ocurre cada seis meses. Reemplace la batería. La luz indicadora se encenderá rápidamente 5 veces para indicar la instalación y operación correcta.
<i>La luz indicadora en la base del grifo no funciona cuando se instala una nueva batería</i>	La batería podría necesitar reemplazo o podría haberse instalado incorrectamente.	<ul style="list-style-type: none"> Observe las marcas de orientación en el receptáculo. Instale con el lado "+" de la batería hacia abajo.
<i>Olor y/o sabor a cloro en el agua producida</i>	El cartucho del filtro ya no está reduciendo el sabor y olor a cloro del suministro de agua.	<ul style="list-style-type: none"> Reemplace los cartuchos de los filtros.
<i>El agua se dispensa muy lentamente</i>	<p>El filtro ha estado instalado por mucho tiempo.</p> <p>Los cartuchos de los filtros están obstruidos.</p>	<ul style="list-style-type: none"> Se recomienda un periodo de cambio de seis meses. Reemplace los cartuchos de los filtros. Altos niveles de sedimento pueden causar una obstrucción prematura. Reemplace los cartuchos de los filtros.
<i>Los accesorios tienen fugas</i>	Es posible que la tubería no esté instalada correctamente.	<ul style="list-style-type: none"> Siga las instrucciones de instalación en su totalidad y asegúrese que la tubería no posea rasguños, rebabas, etc. y que esté instalada a una profundidad adecuada.
<i>No sale agua del sistema</i>	Los cartuchos de los filtros no están instalados completamente.	<ul style="list-style-type: none"> Siga completamente las instrucciones para reemplazo.

Soporte al consumidor.



Página Web de GE

ge.com

¿Tiene alguna pregunta sobre su electrodoméstico? ¡Pruebe la página Web de GE 24 horas al día, cualquier día del año! Para mayor conveniencia y servicio más rápido, ya puede descargar los Manuales de los Propietarios o pedir piezas en línea.



Solicite una reparación

ge.com

El servicio de expertos GE está a tan sólo un paso de su puerta. Llame al 800.GE.CARES (800.432.2737) durante horas normales de oficina para solicitar su reparación.



Real Life Design Studio (Estudio de diseño para la vida real)

ge.com

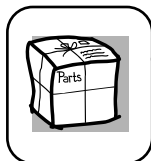
GE apoya el concepto de Diseño Universal—productos, servicios y ambientes que pueden usar gente de todas las edades, tamaños y capacidades. Reconocemos la necesidad de diseñar para una gran gama de habilidades y dificultades físicas y mentales. Para más detalles sobre las aplicaciones de GE Diseño Universal, incluyendo ideas de diseño para la cocina para personas con discapacidades, mire nuestra página Web hoy mismo. Para personas con dificultades auditivas, favor de llamar al 800.TDD.GEAC (800.833.4322).



Garantías ampliadas

ge.com

Compre una garantía ampliada y obtenga detalles sobre descuentos especiales disponibles mientras su garantía está aún activa. Puede comprarla en línea en cualquier momento, o llamar al (800.626.2224) durante horas normales de oficina. GE Consumer Home Services estará aún ahí cuando su garantía termine.

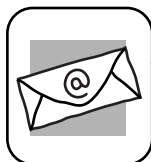


Piezas y accesorios

ge.com

Aquellos individuos con la calificación necesaria para reparar sus propios electrodomésticos pueden pedir que se les manden las piezas o accesorios directamente a sus hogares (aceptamos las tarjetas VISA, MasterCard y Discover). Haga su pedido en línea hoy, 24 horas cada día o llamar por teléfono al 800.626.2002 durante horas normales de oficina.

Las instrucciones descritas en este manual cubren los procedimientos a seguir por cualquier usuario. Cualquier otra reparación debería, por regla general, referirse a personal calificado autorizado. Debe ejercerse precaución ya que las reparaciones incorrectas pueden causar condiciones de funcionamiento inseguras.



Póngase en contacto con nosotros

ge.com

Si no está satisfecho con el servicio que recibe de GE, póngase en contacto con nosotros en nuestra página Web indicando todos los detalles así como su número de teléfono o escribanos a:

General Manager, Customer Relations
GE Appliances, Appliance Park
Louisville, KY 40225



Registre su electrodoméstico

ge.com

¡Registre su nuevo electrodoméstico en línea—cuando usted prefiera! El registrar su producto a tiempo le proporcionará, si surgiera la necesidad, una mejor comunicación y un servicio más rápido bajo los términos de su garantía. También puede enviar su tarjeta de registro pre-impresa que se incluye en el material de embalaje.

Garantía del sistema de filtración de agua GE.

GARANTÍA LIMITADA POR UN AÑO

- *¿Qué cubre esta garantía?*
 - Cualquier defecto de fábrica en los materiales o la manufactura del producto.
- *¿Qué no cubre esta garantía?*
 - Cartuchos de los filtros y las baterías después de treinta días a partir de la fecha de la compra.
 - Viajes a su casa para enseñarle cómo usar el producto.
 - Instalación o entrega inapropiada, o mantenimiento impropio.
 - Falta del producto debido a abuso, mal uso, alteración, uso comercial o uso diferente al propósito deseado con este producto.
 - Uso de este producto donde el agua está microbiológicamente insegura o de calidad desconocida, sin la adecuada desinfección, antes y después de ser procesada por el sistema. Los sistemas certificados para reducir el nivel de quistes pueden ser usados en agua desinfectada que pueda contener quistes que se puedan filtrar.
 - Daños causados al producto debido a accidentes, incendio, inundaciones o actos de la naturaleza.
 - **Daños secundarios o por consecuencia causados por posibles defectos en el producto, su instalación o reparación.**
- *¿Por cuánto tiempo después de la compra?*
 - Un año.
- *¿Cómo hago la reclamación de la garantía?*
 - Devuélvala al minorista a quien le compró el producto con una copia de "Proof of Purchase" (prueba de compra). Se le proporcionará una unidad nueva o reacondicionada. Esta garantía excluye los costos de envío o llamadas de servicio a domicilio.

EXCLUSIÓN DE GARANTÍAS IMPLÍCITAS—Su único y exclusivo derecho es el cambio del producto, tal y como se indica en esta Garantía limitada. Cualquier garantía implícita, incluyendo las garantías implícitas de comerciabilidad o adecuación para un fin determinado, están limitadas a un año o el período de tiempo más breve permitido por la ley.

Esta garantía se extiende al comprador original y cualquier comprador posterior de productos comprados para uso residencial o en la oficina dentro de Estados Unidos. En Alaska, la garantía excluye el costo de envío o las visitas de servicio a su casa u oficina.

Algunos estados no permiten la exclusión o las limitaciones de daños incidentales o consecuenciales. Esta garantía da derechos legales específicos, y usted podría tener otros derechos que variarán de estado a estado. Para saber cuáles son sus derechos legales, consulte a la oficina de asuntos del consumidor local o la oficina del Attorney General en su localidad.

Póngase en contacto con nosotros en ge.com, o llame sin cargo al 800.952.5039.

Impreso en Estados Unidos

Free Manuals Download Website

<http://myh66.com>

<http://usermanuals.us>

<http://www.somanuals.com>

<http://www.4manuals.cc>

<http://www.manual-lib.com>

<http://www.404manual.com>

<http://www.luxmanual.com>

<http://aubethermostatmanual.com>

Golf course search by state

<http://golfingnear.com>

Email search by domain

<http://emailbydomain.com>

Auto manuals search

<http://auto.somanuals.com>

TV manuals search

<http://tv.somanuals.com>