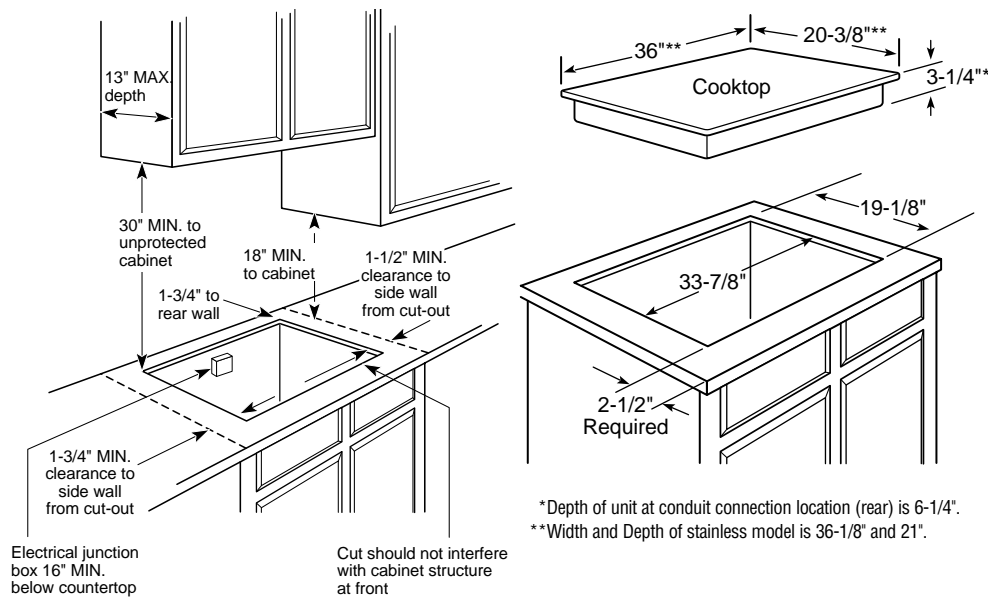




Profile™

JP969BH/CH/SH/WH – GE Profile™ 36" Built-In CleanDesign Cooktop

Cabinet Installation Dimensions (in inches)



KW Rating	
240V	8.6
208V	6.5
Breaker Size	
240V	36 Amps†
208V	31 Amps†

†Note: Check local codes for required breaker size.

Built-In CleanDesign Cooktops

Requires a 5" free area between the bottom of the cooktop to any combustible material, i.e., shelving. Free area not required when installing wall oven underneath cooktop. Refer to installation instructions. Requires an 18" minimum from cooktop to adjacent overhead cabinets. Units are furnished with a 48" flexible armored cable.

36" Ribbon cooktops are approved for use over GE 30" Single Wall Ovens and warming drawers. Refer to cooktop and wall oven installation instructions packed with product for current dimensional data.

Notes: If installing with a GE Profile Telescopic Downdraft System, consult both cooktop and downdraft installation instructions packed with product before installing. Cooktop gas/electric supply may need to be re-routed to install downdraft.

The countertop must be at least 26" deep with a flat surface area of 23-1/2" or more, front to back. In addition, other clearances to the front edge of the countertop must be considered.

Note: Consult cabinet and countertop manufacturer's specs for flush mount installation prior to install.

Flush Mount Installation Kit

Accommodates both 30" and 36" installations. Not for use with stainless steel models. JXFLMBB (Black—use with black glass cooktops with a white, bisque or black pattern)

Installation Information:

Before installing, consult installation instructions packed with product for current dimensional data.



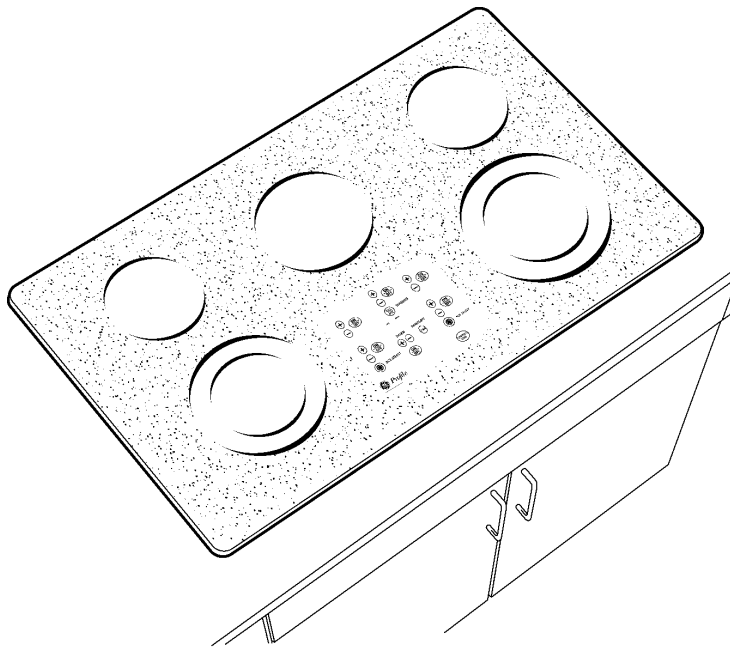
For answers to your Monogram® GE Profile™ or GE appliance questions, visit our website at GEAppliances.com or call GE Answer Center® service, 800.626.2000.

Specification Created 1/03



Profile™

JP969BH/CH/SH/WH – GE Profile™ 36" Built-In CleanDesign Cooktop



Features and Benefits

- Electronic Touch Controls – Replaces traditional dial controls with digital buttons that are precise and easy-to-use.
- No Pulse Elements – Provides even cooking, immediate response, and fast heat up.
- Ceramic Glass Cooktop – A smooth cooktop surface makes cleaning quick and easy.
- Pan Presence Sensor – Detects when a burner element is left “on” and automatically shuts it off when not in use.
- Pan Size Sensor – Automatically adjusts the heating element to the size of the pan.
- Ribbon Heating Elements – Provides powerful heat beneath the smooth glass surface to ensure even heat and fast warm-up times.
- Dual Size Ribbon Elements – Offers a convenient choice of using a 6" or 9" on one and a 5" or 8" on the other heating element, depending on the size of the pan.
- Model JP969SHSS – Stainless steel
- Model JP969WHWW – White on white
- Model JP969BHBB – Black on black
- Model JP969CHCC – Bisque on bisque

Free Manuals Download Website

<http://myh66.com>

<http://usermanuals.us>

<http://www.somanuals.com>

<http://www.4manuals.cc>

<http://www.manual-lib.com>

<http://www.404manual.com>

<http://www.luxmanual.com>

<http://aubethermostatmanual.com>

Golf course search by state

<http://golfingnear.com>

Email search by domain

<http://emailbydomain.com>

Auto manuals search

<http://auto.somanuals.com>

TV manuals search

<http://tv.somanuals.com>