

PK956BM/CM/WM

GE Profile™ 27" Built-In Convection/Thermal Wall Oven

Dimensions and Installation Information (in inches)

KW Rating	
240V	6.8
208V	5.1
Breaker Size	
240V	30 Amps
208V	30 Amps

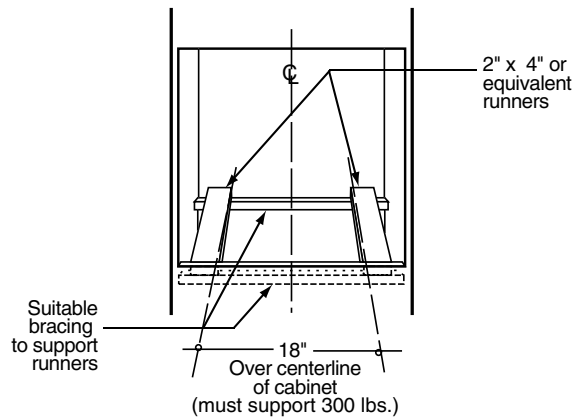
Note: Cabinets installed adjacent to wall ovens must have an adhesion spec of at least a 194°F temperature rating. For 27" built-in single ovens, if marks, blemishes or the cutout opening is visible above the installed oven, it may be necessary to add wood shims under the runners and front trim until the marks or openings are covered.

Note: Door handle protrudes 3" from door face. Cabinets and drawers on adjacent 45° and 90° walls should be placed to avoid interference with the handle.

Electric wall ovens are not approved for installation with a plug and receptacle. They must be hard wired in accordance with installation instructions.

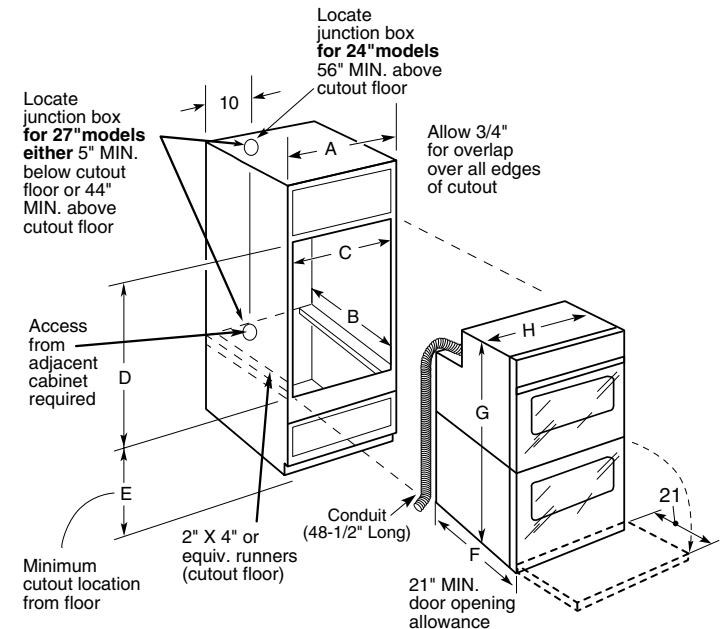
Installation Information: Before installing, consult installation instructions packed with product for current dimensional data.

For answers to your Monogram,® GE Profile™ or GE® appliance questions, visit our website at ge.com or call GE Answer Center® service, 800.626.2000.



Cabinet	27"
A – Cabinet width required	27" min.
B – Minimum cabinet depth	23-5/8"
C – Opening width	25" min. - 25-1/4" max
D – Opening height	50-1/8" max
E – Recommended minimum cutout location from floor	13-1/4"
Oven	
F – Overall depth*	23-5/8"
G – Overall height with trim	51-7/8" - 52-3/4"
Overall height without trim	51"
H – Overall width	26-5/8"

*Depth including door handle is approximately 26-7/10" min. to 26-8/10" max.

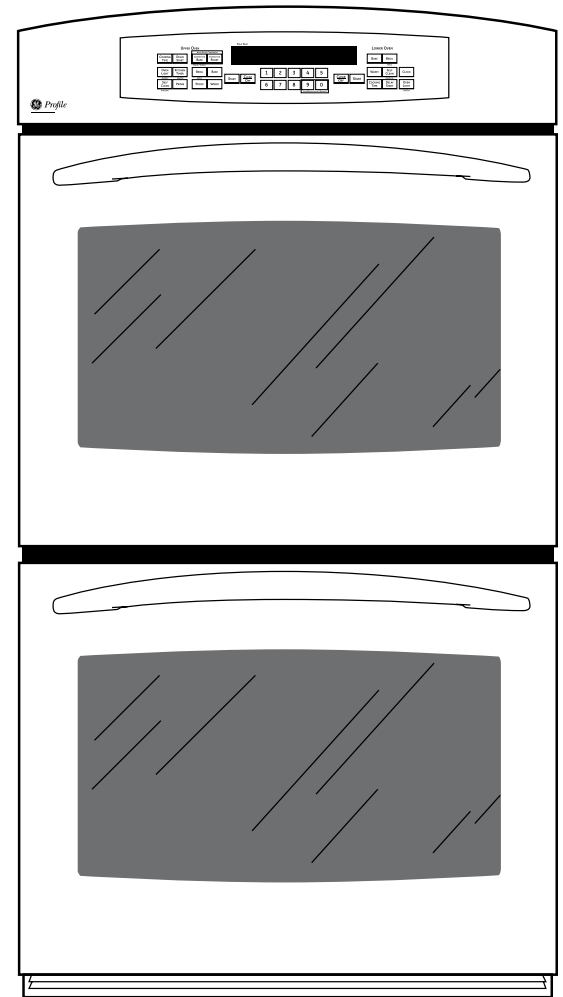


PK956BM/CM/WM

GE Profile™ 27" Built-In Convection/Thermal Wall Oven

Features and Benefits

- Glass Touch Controls - Features a smooth glass design that is easy-to-operate and easy-to-clean
- Precise Air™ Convection System (Upper Oven Only) - Provides even air and heat circulation for superior baking and roasting results
- Flat Back Convection (Upper Oven Only) - Features a more streamline convection fan that better accommodates baking or roasting pans
- Convection Bake (Upper Oven Only) - Delivers ideal airflow throughout the oven cavity, ensuring better baking results
- Convection Roast (Upper Oven Only) - Delivers even cooking and consistent results, roasting meats up to 25% faster than a conventional oven
- Hidden Bake Oven Interior - Hides previously exposed bottom element to deliver a clean interior appearance
- Self-Clean Heavy-Duty Oven Racks - Double coated porcelain-enameled racks no longer require hand cleaning
- Upfront Halogen Lights - Provides a bright and clear view of items inside the oven
- Self Clean Oven - Conveniently cleans the oven cavity without need of scrubbing
- Extra-Large Oven Capacity - Provides a large oven interior ideal for cooking more items at once
- Model PK956BMBB – Black on black
- Model PK956CMCC – Bisque on bisque
- Model PK956WMWW – White on white



imagination at work

Free Manuals Download Website

<http://myh66.com>

<http://usermanuals.us>

<http://www.somanuals.com>

<http://www.4manuals.cc>

<http://www.manual-lib.com>

<http://www.404manual.com>

<http://www.luxmanual.com>

<http://aubethermostatmanual.com>

Golf course search by state

<http://golfingnear.com>

Email search by domain

<http://emailbydomain.com>

Auto manuals search

<http://auto.somanuals.com>

TV manuals search

<http://tv.somanuals.com>