

PT960BM/WM

GE Profile™ 30" Built-In Double Convection Wall Oven

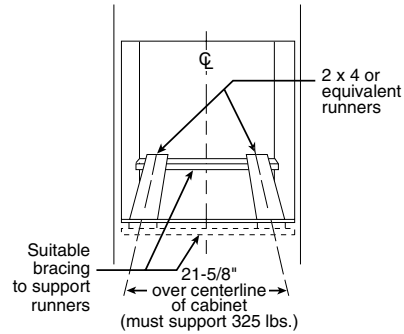
Dimensions and Installation Information (in inches)

| KW Rating | |
|--------------|---------|
| 240V | 9.0 |
| 208V | 6.8 |
| Breaker Size | |
| 240V | 40 Amps |
| 208V | 40 Amps |

Note: Cabinets installed adjacent to wall ovens must have an adhesion spec of at least a 194°F temperature rating. **Electric wall ovens are not approved for installation with a plug and receptacle. They must be hard wired in accordance with installation instructions.**

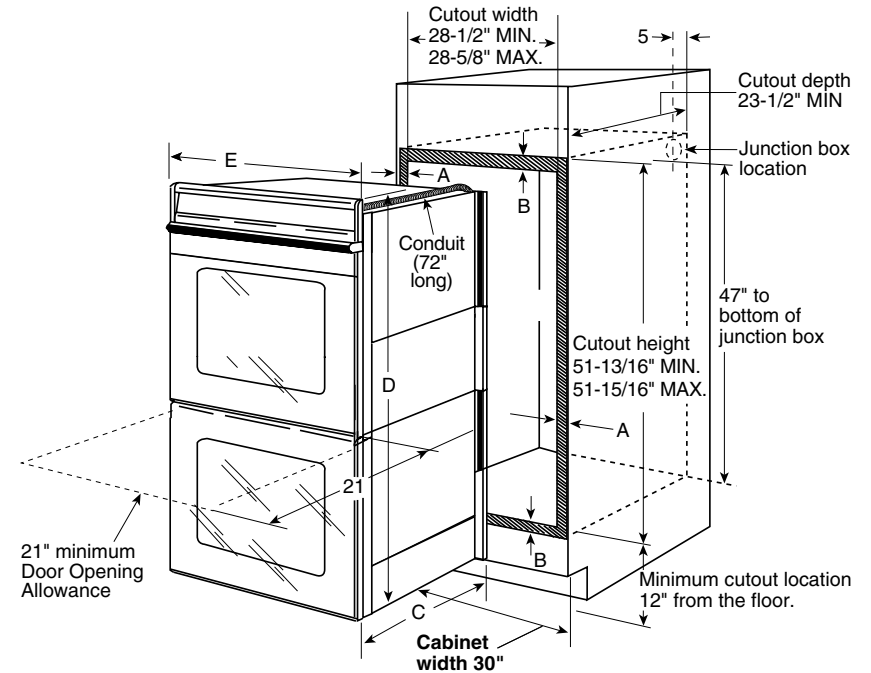
Door handle protrudes 3" from door face. Cabinets and drawers on adjacent 45° and 90° walls should be placed to avoid interference with the handle.

Installation Information: Before installing, consult installation instructions packed with product for current dimensional data.



| Cabinet | 30" |
|--|-------------|
| A – Overlap of oven over side of edges of cutout | 11/16"-3/4" |
| B – Overlap of oven at top and bottom of cutout | 1" |
| Oven | |
| C – Overall depth* | 23-1/2" |
| D – Overall height with trim | 53-3/8" |
| Overall height without trim | 52-7/8" |
| E – Overall width | 29-3/4" |

*Depth including door handle is approximately 26-6/10" min. to 26-9/10" max.



MOST 30" WALL CABINETS CAN BE USED WITH THIS UNIT.
THE OPENING BETWEEN THE INSIDE WALLS MUST BE AT LEAST 28-1/2" WIDE.

For answers to your Monogram®, GE Profile™ or GE® appliance questions, visit our website at ge.com or call GE Answer Center® service, 800.626.2000.



Specification Created 1/07

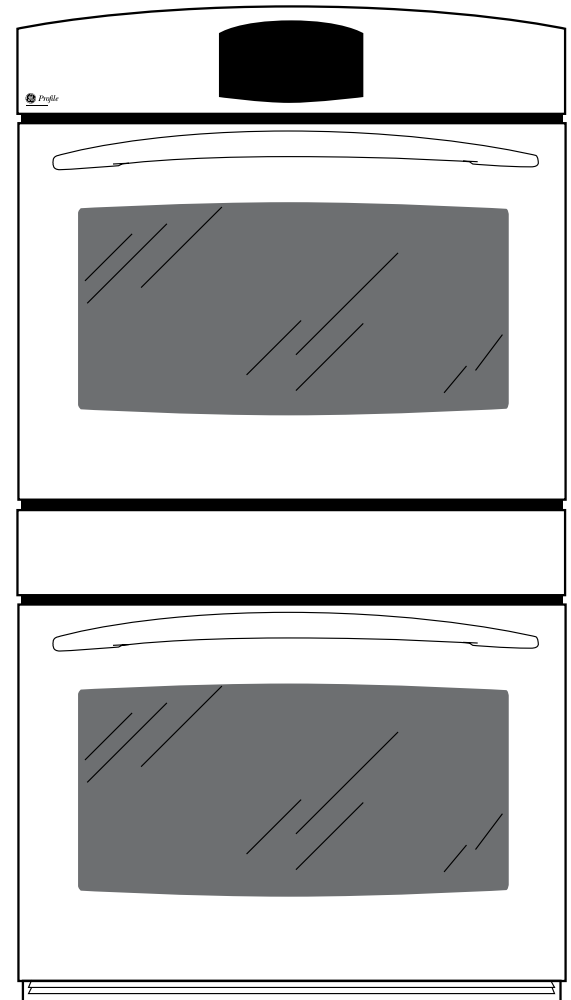
220135

PT960BM/WM

GE Profile™ 30" Built-In Double Convection Wall Oven

Features and Benefits

- Glass Touch LCD Controls - Combine a smooth, easy-to-clean glass design with large, easy-to-read graphics to facilitate easier usage
- PreciseAir™ Convection System - Delivers even air and heat circulation for superior baking and roasting results
- Flat Back Convection - Features a more streamline convection fan that better accommodates baking and roasting pans
- Convection Bake - Provides ideal airflow throughout the oven cavity, ensuring better baking results
- Convection Roast - Provides even cooking and consistent results, roasting meats faster than a traditional oven
- Hidden Bake Oven Interior - Hides previously exposed bottom element to deliver a clean interior appearance
- Self Clean Oven - Conveniently cleans the oven cavity without need of scrubbing
- Improved Lighting - Positions lamps diagonally across the top of the oven to promote better viewing
- Self-Clean Heavy-Duty Oven Racks - Double coated porcelain-enameled racks no longer require hand cleaning
- Extra-Large Oven Capacity - Provides a large oven interior ideal for cooking more items at once
- Model PT960BMBB – Black on black
- Model PT960WMWW – White on white



Free Manuals Download Website

<http://myh66.com>

<http://usermanuals.us>

<http://www.somanuals.com>

<http://www.4manuals.cc>

<http://www.manual-lib.com>

<http://www.404manual.com>

<http://www.luxmanual.com>

<http://aubethermostatmanual.com>

Golf course search by state

<http://golfingnear.com>

Email search by domain

<http://emailbydomain.com>

Auto manuals search

<http://auto.somanuals.com>

TV manuals search

<http://tv.somanuals.com>