



# Use and Care & Installation Guide

## Gas Downdraft Cooktop



### Safety Instructions ..... 2-5



### Operating Instructions, Tips

Controls .....	8, 9
Cookware .....	9
Electric Ignition .....	8
Features .....	6
Surface Burner Modules .....	6, 10-14, 17
Surface Burners .....	6
Ventilation System .....	15



### Care and Cleaning ..... 15-17

Control Knobs and Control Panel Seal ...	15
Grease Jar .....	15
Griddle Accessory .....	17
Grill Burner .....	16
Grill Cover .....	16
Grill Grates .....	16
Igniters .....	17
Porcelain Burner Basin .....	17
Porcelain Cooktop .....	15
Surface Burners .....	17
Ventilation System .....	16



### Problem Solver ..... 30

More questions ?...call  
**GE Answer Center® 800.626.2000**



### Installation Instructions ..... 18-26



### Converting to LP Gas ..... 27-29



### Consumer Services ..... 31

Appliance Registration .....	2
Important Phone Numbers .....	31
Model and Serial Numbers .....	2
Warranty .....	32

**GE Appliances**

**Models: JGP18 JGP389**

**811P409-60**  
**164D3333P203**  
**49-8976-2**

03-04 JR  
 Printed in USA



## HELP US HELP YOU...

### Before using your cooktop, read this guide carefully.

It is intended to help you operate and maintain your new cooktop properly.

Keep it handy for answers to your questions.

If you don't understand something or need more help, call:

**GE Answer Center®**  
**800.626.2000**  
**24 hours a day, 7 days a week**

### Write down the model and serial numbers.

You'll find them on a label located on the side of the plenum under the cooktop. These numbers are also on the Consumer Product Ownership Registration Card that came with your cooktop. Before sending in this card, please write these numbers here:

Model Number

Serial Number

Use these numbers in any correspondence or service calls concerning your cooktop.

### If you received a damaged cooktop...

Immediately contact the dealer (or builder) that sold you the cooktop.

### Save time and money. Before you request service...

Check the Problem Solver in the back of this guide. It lists causes of minor operating problems that you can correct yourself.

**WARNING: If the information in this guide is not followed exactly, a fire or explosion may result causing property damage, personal injury or death.**

- Do not store or use gasoline or other flammable vapors and liquids in the vicinity of this or any other appliance.
- WHAT TO DO IF YOU SMELL GAS
  - Do not try to light any appliance.
  - Do not touch any electrical switch; do not use any phone in your building.
  - Extinguish any open flame.
  - Immediately call your gas supplier from a neighbor's phone. Follow the gas supplier's instructions.
  - If you cannot reach your gas supplier, call the fire department.
- Installation and service must be performed by a qualified installer, service agency or the gas supplier.

## IF YOU NEED SERVICE...

To obtain service, see the Consumer Services page in the back of this guide.

We're proud of our service and want you to be pleased. If for some reason you are not happy with the service you receive, here are some steps to follow for further help.

FIRST, contact the people who serviced your appliance. Explain why you are not pleased. In most cases, this will solve the problem.

NEXT, if you are still not pleased, write all the details—including your phone number—to:

Manager, Consumer Relations  
GE Appliances  
Appliance Park  
Louisville, KY 40225

# IMPORTANT SAFETY INSTRUCTIONS

Read all instructions before using this appliance.



## IMPORTANT SAFETY NOTICE

- The California Safe Drinking Water and Toxic Enforcement Act requires the Governor of California to publish a list of substances known to the state to cause cancer, birth defects or other reproductive harm and requires businesses to warn customers of potential exposure to such substances.
- Gas appliances can cause minor exposure to four of these substances, namely benzene, carbon monoxide, formaldehyde and soot, caused primarily by the incomplete combustion of natural gas or LP fuels. Properly adjusted burners, indicated by a bluish rather than a yellow flame, will minimize incomplete combustion. Exposure to these substances can be minimized further by venting with an open window or using the ventilation fan.

All appliances—regardless of the manufacturer—have the potential through improper or careless use to create safety problems. Therefore the following safety precautions should be observed.

## When You Get Your Cooktop

When you get your cooktop, have the installer show you the location of the gas cut-off valve and how to shut it off if necessary.

- Have your cooktop installed and properly grounded by a qualified installer, in accordance with the Installation Instructions. Any adjustment and service should be performed only by qualified gas cooktop installers or service technicians.
- Plug your cooktop into a 120-volt grounded outlet only. Do not remove the round grounding prong from the plug. If in doubt about the grounding of the home electrical system, it is your personal responsibility and obligation to have an ungrounded outlet replaced with a properly-grounded three-prong outlet in accordance with the National Electrical Code. Do not use an extension cord with this appliance.
- Be sure all packing materials are removed from the cooktop before operating it, to prevent fire or smoke damage should the packing material ignite.

- Be sure your cooktop is correctly adjusted by a qualified service technician or installer for the type of gas (natural or LP) which is to be used. Your cooktop can be converted for use with either type of gas. See the Installation Instructions. Your model is factory adjusted for use with natural gas.
- Do not attempt to repair or replace any part of your cooktop unless it is specifically recommended in this guide. All other servicing should be referred to a qualified technician.

## WARNING—TO REDUCE THE RISK OF FIRE, ELECTRIC SHOCK, OR INJURY TO PERSONS, OBSERVE THE FOLLOWING:

- A. Use this unit only in the manner intended by the manufacturer. If you have questions, contact the manufacturer.
- B. Before Servicing or Cleaning the Unit, Switch Power Off At Service Panel.
- C. When cutting or drilling into wall or ceiling do not damage electrical wiring and other hidden utilities.
- D. Ducted fans must always be vented to the outdoors.
- E. To reduce the risk of fire, use only metal ductwork.

## WARNING—TO REDUCE THE RISK OF A COOKTOP GREASE FIRE:

- A. Keep fan, filters and grease laden surfaces clean.
- B. Always turn vent ON when cooking at high heat.
- C. Use high settings on cooktop only when necessary. Heat oil slowly on low to medium setting.
- D. Never leave the cooktop unattended when cooking.
- E. Always use cookware and utensils appropriate for the type and amount of food being prepared.

**CAUTION—For General Ventilating Use Only. Do Not Use To Exhaust Hazardous Or Explosive Materials and Vapors.**

*(continued next page)*



# IMPORTANT SAFETY INSTRUCTIONS

(continued)

## Using Your Cooktop

- **Do not leave children alone or unattended where a cooktop is hot or in operation.** They could be seriously burned.
- **CAUTION: Items of interest to children should not be stored in cabinets above a cooktop—** children climbing on the cooktop to reach items could be seriously injured.
- **Clean the cooktop with caution.** If a wet sponge or cloth is used to wipe spills on a hot cooktop, be careful to avoid steam burns.
- **Do not clean the cooktop with flammable or volatile cleaning fluids.**
- **Do not clean the cooktop when the appliance is in use.**
- **Let the burner grates and other surfaces cool before touching them or leaving them where children can reach them.**
- **Never wear loose-fitting or hanging garments while using the appliance.** Be careful when reaching for items stored in cabinets over the cooktop. Flammable material could be ignited if brought in contact with flame or hot surfaces and may cause severe burns.
- **For your safety, never use your appliance for warming or heating the room. Prolonged use of the cooktop in this way can be hazardous.**



- **Do not use water on grease fires. Never pick up a flaming pan.**

Turn the controls off. Smother a flaming pan on a surface burner by covering the pan completely with a well-fitting lid, cookie sheet or flat tray. Use a multi-purpose dry chemical or foam-type fire extinguisher.

Flaming grease outside a pan can be put out by covering it with baking soda or, if available, by using a multi-purpose dry chemical or foam-type fire extinguisher.

- **Do not store flammable materials near the cooktop.** Do not store or use gasoline or other flammable vapors and liquids in the vicinity of this or any other appliance.



- **Do not let cooking grease or other flammable materials accumulate in or near the cooktop.**

- **Never leave surface burners unattended at high flame settings.** Boilovers cause smoking and greasy spillovers that may catch on fire.
- **Adjust surface burner flame size so it does not extend beyond the edge of the cookware.** Excessive flame is hazardous.



- **Use only dry pot holders—** moist or damp pot holders on hot surfaces may result in burns from steam. Do not let pot holders come near open flames when lifting cookware. Do not use a towel or other bulky cloth in place of a pot holder.
- **To minimize the possibility of burns,** ignition of flammable materials and spillage, turn cookware handles toward the side or center of the cooktop without extending over adjacent burner or vent area.
- **Always turn the surface burners to off before removing the cookware.**
- **Carefully watch foods being fried at high flame setting.**
- **Foods for frying should be as dry as possible.** Frost on frozen foods or moisture on fresh foods can cause hot fat to bubble up and over the sides of the pan.
- **Use least possible amount of fat for effective shallow or deep-fat frying.** Filling the pan too full of fat can cause spillovers when food is added.
- **If a combination of oils or fats will be used in frying,** stir together before heating, or as fats melt slowly.
- **Always heat fat slowly,** and watch as it heats.
- **Use a deep fat thermometer whenever possible** to prevent overheating fat beyond the smoking point.

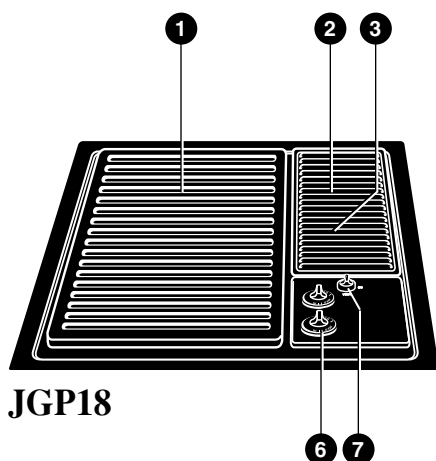


- **Use proper pan size**—Avoid pans that are unstable or easily tipped. Select cookware having flat bottoms large enough to properly contain food and avoid boilovers and spillovers, and large enough to cover burner grate. This will both save cleaning time and prevent hazardous accumulations of food, since heavy spattering or spillovers left on cooktop can ignite. Use pans with handles that can be easily grasped and remain cool.
- **To avoid the possibility of a burn, always be certain that the controls for all burners are at the off position and all grates are cool before attempting to remove a grate.**
- **If the cooktop is located near a window**, do not use long curtains which could blow over the burners and create a fire hazard.
- **If you smell gas**, turn off the gas to the cooktop and call a qualified service technician. Never use an open flame to locate a leak.
- **Do not cover or block the area around the cooktop knobs.** This area must be kept clear for proper ventilation and burner performance.
- **Cook meat and poultry thoroughly**—meat to at least an INTERNAL temperature of 160° F. and poultry to at least an INTERNAL temperature of 180° F. Cooking to these temperatures usually protects against foodborne illness.
- **When using glass cookware make sure it is designed for cooktop cooking.**
- **Always use the LITE position when igniting burners and make sure the burners have ignited.**
- **Do not touch grill and surface burner areas**, or perimeter trim around cooktop. During and after use, these areas may be hot enough to cause burns. Avoid contact with these areas by clothing or other flammable materials until they have had sufficient time to cool.
- **Do not use cookware on the grill section of this cooktop.**
- **Do not heat unopened food containers.** Buildup of pressure may cause the container to burst and result in injury.
- **Keep all controls “OFF” when the cooktop is not in use.**
- **Always allow hot pans to cool in a safe place out of the reach of small children.**
- **This cooktop has been tested for safe performance using conventional cookware. Do not use any devices or accessories that are not specifically recommended in this guide.** Do not use stovetop grills or burner covers for the surface burners. The use of devices or accessories that are not specifically recommended in this guide can create serious safety hazards, result in performance problems and reduce the life of the components.
- **Do not use aluminum foil to line aeration tray or burner basin.** Restriction of normal air flow may result in unsafe operation.
- **Keep plastic away from all burners.**
- **Do not use a wok on the cooking surface if the wok has a round metal ring which is placed over the burner grate to support the wok.** This ring acts as a heat trap which may damage the burner grate and burner head. Also, it may cause the burner to work improperly. This may cause a carbon monoxide level above that allowed by current standards, resulting in a health hazard.

## SAVE THESE INSTRUCTIONS

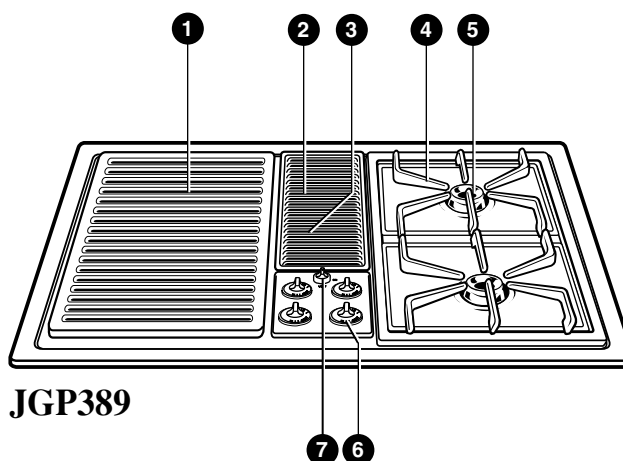


# FEATURES OF YOUR COOKTOP



**JGP18**

1. Grill Module (optional on JGP389)
2. Vent (fan operates automatically when grill is in use)
3. Vent Filters (below the vent grille)



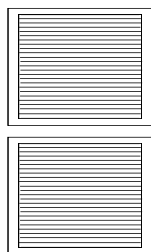
**JGP389**

4. Burner Grates
5. Surface Burners
6. Surface Burner Controls
7. Vent Control

## Accessories

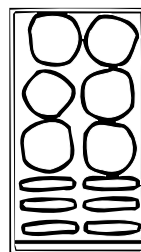
### Grill Model JXGG89

Consists of two black grill grates and a grill burner.

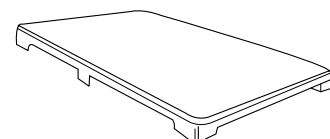


### Griddle Model JXGL89

Can be used only with the grill module. Self-draining griddle makes many favorite foods easier to fix. Family-sized surface lets you cook several pancakes, hamburgers, or grilled sandwiches at the same time.



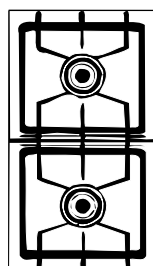
### Grill Cover Model JXGC89



Attractive grill cover protects the grill when not in use. Textured steel with molded handles.

### Surface Burner Module Model JXGB89

Includes surface burner assembly, aeration tray, and two surface burner grates.



**NOTE:** Optional surface burner module (JXGB89) can replace the grill burner. Burners supplied with cooktop (JGP389) and optional module air shutters have been adjusted for compatibility on both sides.





# SURFACE BURNERS

(on some models)

## Electric Ignition

Your surface burners are lit by electric ignition, eliminating the need for standing pilots with constantly burning flames.

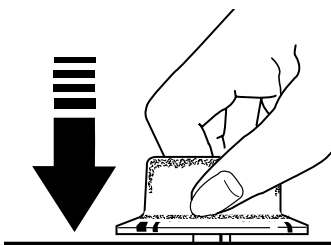
**In case of a power outage**, you can light the surface burners on your cooktop with a match. Hold a lit match to the burner, then turn the control knob to the high position. **Use extreme caution when lighting the burners this way.**

Surface burners in use when an electrical power failure occurs will continue to operate normally.

IN CASE OF A POWER FAILURE DO NOT USE THE GRILL.  
THE VENTILATION SYSTEM WILL NOT OPERATE.

## To Light a Burner

Push the control knob in and turn it to LITE. You will hear a little clicking noise—the sound of the electric ignition spark that lights the burner.



After the burner ignites, turn the knob to adjust the flame size.

To turn a burner off, turn the knob clockwise, as far as it will go, to the OFF position.

- Do not operate the burner for an extended period of time without cookware on the grate. The finish on the grate may chip without cookware to absorb the heat.
- Check to be sure the burner you turn on is the one you want to use.
- Be sure the burners and grates are cool before you place your hand, a pot holder, cleaning cloths or other materials on them.
- When using the surface burners, if you find that the LO setting is too hot for delicate foods, you can adjust the knob below the LO setting.
- Only surface burners may be used on the right side.
- Do not allow large pans to extend over the control knobs. Heat trapped between large pans and control knobs could cause possible damage to the control knobs.

## Cooking Guide for Using Heat Settings

**HI**—Quick start for cooking; brings water to a boil.

**Medium high**—(Setting halfway between the midpoint and HI) Fast fry, pan broil; maintains a fast boil on large amounts of food.

**Medium**—(Midpoint setting approximately halfway between HI and LO) Sauté and brown; maintains a slow boil on large amounts of food.

**Medium low**—(Setting halfway between midpoint and LO) Cook after starting at HI; cooks with little water in covered pan.

**LO**—Steam rice, cereal; maintains serving temperature of most foods. Slow cooking and simmering.

### NOTE:

- At HI and medium high settings, never leave food unattended. Boilovers cause smoking; greasy spillovers may catch fire.
- At medium low to LO settings, melt chocolate and butter.





## Wok Cooking

We recommend that you use only a flat-bottomed wok. They are available at your local retail store.



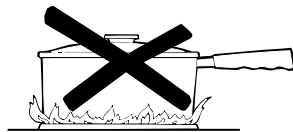
**Do not use woks that have support rings.** Use of these types of woks, with or without the ring in place, can be dangerous.



Placing the ring over the burner grate may cause the burner to work improperly resulting in carbon monoxide levels above allowable current standards. This could be dangerous to your health. Do not try to use such woks without the ring. You could be seriously burned if the wok tipped over.

## How to Select Flame Size

Watch the flame, not the knob, as you reduce heat. The flame size on a gas burner should match the cookware you are using.



FOR SAFE HANDLING OF COOKWARE, NEVER LET THE FLAME EXTEND UP THE SIDES OF THE COOKWARE. Any flame larger than the bottom of the cookware is wasted heat and only serves to heat the handle.

**IMPORTANT:** Leave a minimum of 1½" between the side of the pan and surrounding surfaces, such as countertop backsplash or side walls, to allow heat to escape to avoid possible damage to these areas.

## Cookware

**Aluminum:** Medium-weight cookware is recommended because it heats quickly and evenly. Most foods brown evenly in an aluminum skillet. Use saucepans with tight-fitting lids for cooking with minimum amounts of water.

**Cast Iron:** If heated slowly, most skillets will give satisfactory results.

**Enamelware:** Under some conditions, the enamel of some cookware may melt. Follow cookware manufacturer's recommendations for cooking methods.

**Glass:** There are two types of glass cookware—those for oven use only and those for surface cooking (saucepans, coffee and teapots). Glass conducts heat very slowly.

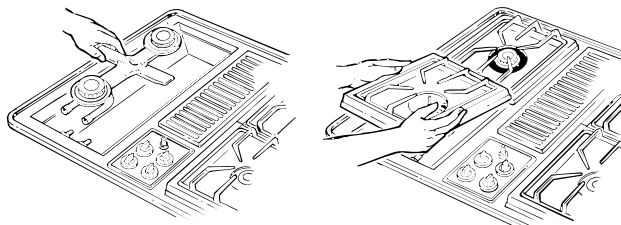
**Heatproof Glass Ceramic:** Can be used for either surface or oven cooking. It conducts heat very slowly and cools very slowly. Check cookware manufacturer's directions to be sure it can be used on gas cooktops.

**Stainless Steel:** This metal alone has poor heating properties, and is usually combined with copper, aluminum or other metals for improved heat distribution. Combination metal skillets generally work satisfactorily if they are used at medium heat as the manufacturer recommends.



## SURFACE BURNER MODULE

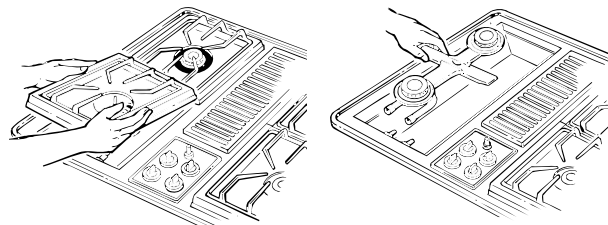
### To Install Burner Module



1. Be sure all control knobs are turned off.
2. If the grill burner grates are in place, remove them before installing a surface burner module. Clean burner basin of any grease accumulation. See the Care and Cleaning section.
3. Position the burner assembly with the mixer tube openings toward the orifices. Slide the burner assembly toward the orifices until the opening for the igniter is over the igniter. Lower into place until the side openings are resting on the burner supports and the igniter is centered between the two flash tubes.
4. Install the aeration tray by inserting the prong at the end of the pan into the opening in the end of the burner basin. Lower the opposite end into the cooktop.

**NOTE:** Optional surface burner module (JXGB89) can replace the grill burner. Burners supplied with cooktop (JGP389) and optional module air shutters have been adjusted for compatibility on both sides.

### To Remove Burner Module



1. The control knobs should be in the OFF position and the cooktop should be cool.
2. Remove the aeration tray by lifting up the front end on the right side (back end on the left side) until the top clears the opening of the cooktop by about 5 inches.
3. Hold aeration tray by the sides and slide away to remove the prong from the opening and clear the surface burners.
4. Lift up on the sides of the surface burner assembly bracket about 2 inches. Slide away from the orifices.

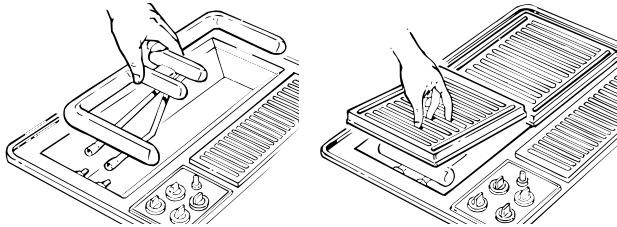
**NOTE:** If you have cooktop JGP389, you can purchase another 2-burner module, model JXGB89. This module is specially adjusted for use on the left side only. You may notice that food cooks a bit more slowly on this module. This is because the heat output has been reduced for best grill cooking performance.

# GRILL MODULE



The grill consists of two black grill grates and a grill burner. Only install the grill on the left side of your cooktop.

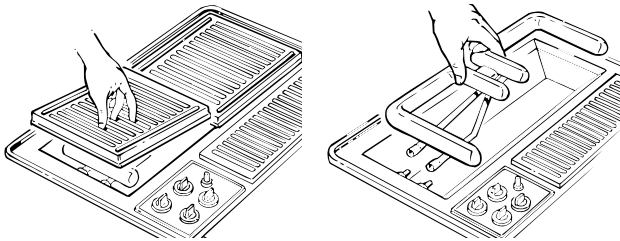
## To Install Grill Module



**NOTE:** Before using the grill for the first time, heat the grill burner to remove the protective shipping coating. Heat the grill on HI for 10 minutes and use the vent system to remove any additional smoke during cooling.

1. Before installing grill components, be certain control knobs are in the OFF position.
2. Position the grill burner with mixer tube openings toward the orifices. Slide the burner towards the orifices until the igniter is in between front and rear grill sections. Lower into place until side openings are resting on the burner support pins.
3. Place the grill grates on the top of the cooktop.

## To Remove Grill Module



1. Remove grill components once they are cool. Be sure control knobs are in the OFF position.
2. Remove grill grates.
3. Remove grill burners.



# GRILLING

## Using the Grill

- **The vent fan will operate automatically when the grill burner is in use.**
- Before using the grill for the first time, wash grill grates in hot soapy water. Rinse and dry.
- Precondition grates by brushing with vegetable oil or spraying with a nonstick coating such as Pam®. Do this every time before you grill.
- For easier clean-up, spray grates and burner basin with a nonstick coating.
- **Use nonmetallic spatulas or utensils to prevent damaging the nonstick grill grate finish.**
- Preheat the grill on high for 5 to 10 minutes. Preheating improves the flavor and appearance of meats and quickly sears the meat to help retain the juices.
- **Excessive amounts of fat should be trimmed from meats.** Some fat is necessary to produce the smoke needed for that smoked “outdoor” flavor. However, excessive fat can create cleaning and flare-up problems.
- Allowing excessive amounts of grease or drippings to constantly flame voids the warranty on the grill grates. Excessive flare-ups indicate that either the grill interior needs to be cleaned, excessive amounts of fat are in the meat or that the meat was not properly trimmed.
- Grease drippings will occasionally ignite to produce harmless puffs of flame for a second or two. This is a normal part of the cooking process.
- **Never leave the grill unattended during operation.**

### IMPORTANT:

- Do not use aluminum foil inside the grill area.
- Do not use charcoal or wood chips in the grill area.
- Do not allow burner basin to become overloaded with grease. Clean after each use.
- Do not cover grates completely with meat. Leave air space between each steak, etc. to allow proper ventilation as well as to prevent flare-ups.

## Should a Sustained Flare-Up Occur

1. Use the vent control to turn the fan on.
2. Immediately turn the grill control knobs to the OFF position.
3. Remove the meat from the grill.

## Grilling Tips

With your grill, any food you’ve considered “at its best” when prepared outdoors can now be prepared indoors with less fuss and great flavor.

The following suggestions are good rules to follow and will increase your enjoyment of the equipment. Be sure to follow directions in this guide for using the grill.

Suggested cooking times and control settings are approximate due to variations in meats. Experience will quickly indicate cooking times as well as which settings work best.

For best results, buy top grade meat. Meat that is at least 3/4 inch will grill better than thinner cuts.

For the attractive “branded” look on steaks, be sure the grill is preheated. Allow one side of the meat to cook to the desired doneness, or until the juices appear on the top surface, before turning. Turn steaks and hamburgers just once. Moving the food around causes loss of juices.

When basting meats or applying sauces to foods, remember that excessive amounts wind up inside your grill and do not improve the food flavor. Apply sauces during the last 15 to 20 minutes of cooking time unless the recipe specifies otherwise. Sugar-based marinade, (for example, barbecue sauce) will caramelize on grill grates and will create a cleaning chore.

There are many meat marinades which will help tenderize less expensive cuts of meat for cooking on the grill.

Certain foods, such as poultry and non-oily fish, may need some extra fat. Brush with oil or melted butter occasionally while grilling.

Use tongs with long handles or spatulas for turning meats. Do not use forks as these pierce the meat, allowing juices to be lost.

To help retain meat juices, salt after turning meat or after cooking is completed.

Score the fat on the edges of steaks but do not cut into the meat to prevent curling while cooking.

# GRILLING GUIDE



Preheat the grill on high for 5 to 10 minutes for best flavor.

Type	Control Setting	Cooking Time	Procedure
<b>Meat</b>			
Steak (1/2 to 3/4")			
Rare	HI	6 to 10 minutes	Turn after 3 to 5 minutes.†
Medium	HI	10 to 16 minutes	Turn after 5 to 8 minutes.
Well	HI	21 to 24 minutes	Turn after 6 to 12 minutes.
Steak (1-1/4")			
Rare	HI	14 to 24 minutes	Turn after 7 to 12 minutes.†
Medium	HI	18 to 30 minutes	Turn after 9 to 15 minutes.
Well	HI	24 to 34 minutes	Turn after 12 to 17 minutes.
Hamburgers (3 to 4 oz.)	Medium	20 to 25 minutes	Turn after half the time.
Pork chops	Medium	20 to 30 minutes	Turn occasionally.
Fully cooked smoked pork chops	Medium	10 to 15 minutes	Turn after half the time.
Ham slices	Medium	15 to 20 minutes	Turn after half the time.
Pork ribs	Medium	50 to 65 minutes	Turn occasionally. Brush with barbecue sauce during the last 15 minutes.
Fully cooked sausages			
Hot dogs, brats	HI	7 to 12 minutes	Turn occasionally.
Polish	HI	13 to 16 minutes	Turn occasionally.
Fresh sausages			
Links	Medium	15 to 25 minutes	Turn occasionally.
Patties (3" diameter)	Medium	15 to 20 minutes	Turn after half the time.
Italian sausage	Medium	25 to 30 minutes	Pierce casing with a fork. Turn once.
Lamb chops	Medium	20 to 30 minutes	Turn occasionally. Brush with glaze, if desired.
<b>Poultry</b>			
Chicken			
Pieces: bone-in	Medium	35 to 50 minutes	Turn occasionally.
Boneless breasts	Medium	25 to 35 minutes	Turn occasionally.
Wings	Medium	25 to 35 minutes	Turn occasionally.
Cornish hen (halved)	Medium	35 to 45 minutes	Turn occasionally.
<b>Fish</b>			
Small, whole (1")	Medium	15 to 20 minutes	Brush with butter. Turn after half the time.
Steaks (1")	Medium	20 to 25 minutes	Brush with butter. Turn after half the time.
Fillet—with skin on (1/2")	Medium	10 to 15 minutes	Start skin side down. Brush with butter. Turn after half the time.
Shrimp (skewered)	Medium	10 to 20 minutes	Turn and brush with butter or marinade frequently.
<b>Bread</b>			
Garlic bread	Medium	4 to 6 minutes	Turn after half the time.
Hot dog or hamburger buns	Medium	1 to 2 minutes	Turn after half the time.

†The U. S. Department of Agriculture says "Rare beef is popular, but you should know that cooking it to only 140°F. means some food poisoning organisms may survive." (Source: Safe Food Book. Your Kitchen Guide. USDA Rev. June 1985.)



# GRILL COVER

The texture steel grill cover makes an attractive cover for the grill section of the cooktop when it is not in use.

## To Use the Grill Cover

Remove the cover before heating the grill. Since a heated grill cover would not appear hot, this could cause accidental burns should it be touched. Heating the grill cover could also damage the finish.

Do not place the grill cover over a heated grill. Let the grill cool before putting the cover in place.

Use the cover over the grill grates only. Do not place the cover over the griddle or surface burner grates.

**IMPORTANT:** Although the finish is very durable, care should be taken to avoid setting utensils or other items on the surface that could cause scratches.

**DO NOT set extremely hot containers on the surface,** including handles, since these could mar or discolor the cover. It is an attractive cover and proper care will keep it that way.

# GRIDDLE ACCESSORY

## Using the Griddle

1. Before the first use, wash your new griddle in hot soapy water, rinse and dry. Then “condition” the surface by wiping on a thin coating of cooking oil or shortening. Remove excess oil or shortening by wiping again with another paper towel.
2. Insert grill burner. **DO NOT** use grill grates.
3. Place griddle over grill burner so that the drain holes are in front. This will permit excess grease to be collected in the grease container.
4. Preheat the griddle 5 to 10 minutes at the specified setting as noted in the Griddle Guide.
5. Use non-metallic spatulas or utensils while cooking to prevent damaging the finish.

# GRIDDLE GUIDE

**NOTE:** These are suggested guides for control settings and times. Factors such as low gas pressure may affect the times and control settings which provide the best results. Preheat 5 to 10 minutes at specified setting.

Food Item	Control Setting	Approximate Cooking Time First Side	Approximate Cooking Time Second Side
Bacon	Medium	4 to 5 minutes	3 to 4 minutes
Buns	HI	2 to 3 minutes	
Eggs	Medium	2 to 3 minutes	1 minute
Fish sticks (frozen)	Medium	7 to 8 minutes	5 to 7 minutes
Ham slice	Medium	6 to 7 minutes	5 to 6 minutes
Hamburgers	Medium	5 to 7 minutes	4 to 6 minutes
Hot dogs	HI	5 minutes	5 minutes
French toast	HI	2 to 4 minutes	2 to 3 minutes
Grilled cheese sandwiches	HI	2 to 3 minutes	2 to 3 minutes
Pancakes	HI	1 to 2 minutes	1 to 2 minutes
Sausage patties	Medium	6 to 8 minutes	4 to 5 minutes

# VENTILATION SYSTEM



Grill Cover

The built-in vent system helps remove cooking vapors, odors and smoke from foods prepared on the cooktop, grill and griddle accessories. Continuous use of the vent system helps keep the kitchen comfortable and less humid, reducing cooking odors and moisture that normally creates a frequent need for cleaning.

Griddle Accessory

## Using the Ventilation System

To turn the fan on, use the on/off control located on the control panel.

The fan will operate automatically when the grill burner is in use.



Griddle Guide

# CARE AND CLEANING

Before cleaning any part of your cooktop, be sure all controls are off and **DISCONNECT ELECTRICAL POWER TO THE COOKTOP** at the fuse box or circuit breaker panel, or pull the cooktop power plug, located beneath the cooktop and inside the cabinets.

Do not operate the cooktop without all parts in place.

Ventilation System

## Control Knobs and Control Panel Seal

After grilling there may be soot on the knobs and control panel seal. This soot can be removed by scrubbing with a plastic scrubber and mild dishwashing detergent. The control knobs may be removed for cleaning.

**To remove a knob, pull it straight up.**

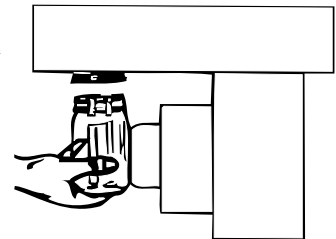
Wash the knobs in soap and water but do not soak. Avoid getting water down into the knob stem holes.

Wipe with a sponge, damp cloth or paper towel. Do not scrub with steel wool pads or abrasive cleansers.

To replace a knob, match the flat part of the knob opening with the flat side of the shaft.

## Grease Jar

A grease jar is located below the grill basin pan under the countertop. Check periodically to prevent spillovers. Unscrew and remove. If the jar is broken, replace with any heat tempered jar, such as a canning jar, which has a standard screw neck.



## Porcelain Cooktop

The porcelain enamel finish is sturdy but breakable if misused. This finish is acid-resistant. However, any acidic foods spilled (such as fruit juices, tomato or vinegar) should not be permitted to remain on the finish.

**If acids spill on the cooktop while it is hot,** use a dry paper towel to wipe it up right away. When the surface has cooled, wash with soap and water or cleansing powders. Rinse well.

**For other spills, such as fat splatterings,** wash with soap and water or cleansing powders after the surface has cooled. Rinse well. Polish with a dry cloth.

*(continued next page)*

Care and Cleaning



## CARE AND CLEANING

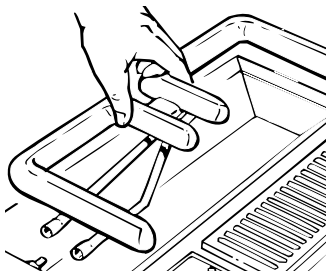
(continued)

### Grill Burner

**The grill burner should be cleaned after each use.** It can be cleaned with soapy steel wool pad or in the dishwasher. Rinse and dry thoroughly before using again. For heavy soil, the burner should be cleaned first

with a soapy steel wool pad, rinsed and dried. Then it can be cleaned in a self-cleaning oven for two hours.

**NOTE:** Check to be sure all burner ports are open. To open clogged ports, insert a twist tie directly into each port.

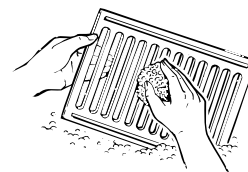


### Grill Grates

**The grates should be cleaned after each use.** They can be cleaned with detergent and a plastic scrubber, such as Tuffy, or washed in the dishwasher

if burned on residue is first removed. For heavy soil, grates can be soaked in hot, soapy water mixed with household ammonia.

**Do not use metal brushes or abrasive scouring pads or other scrubbers intended to clean outdoor grills. These will remove the finish as well as scratch the grates. Do not clean in a self-cleaning oven or use oven cleaners on the grates.**



### Grill Cover

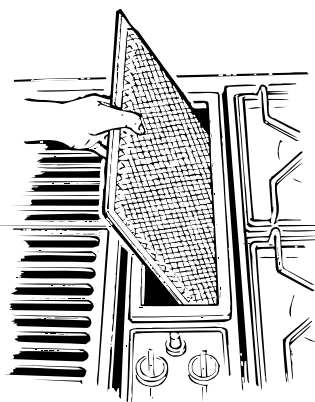
The grill cover may be easily cleaned with a damp cloth and mild detergent or liquid household cleanser. Rinse and dry thoroughly.

**DO NOT clean in a dishwasher.**

### Ventilation System

**Vent Grille:** The vent grille lifts off easily. Wipe clean or wash in the sink with mild household detergents.

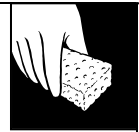
**Filter:** Turn off the fan before removing. Turn the filter retainer clip to remove the filter. The filter is a permanent type and should be cleaned when soiled. Clean in the sink with warm water and liquid dishwashing detergent.



**IMPORTANT:** Do not operate the fan without the filter. The filter should always be placed at an angle. As you face the front of the cooktop, the top of the filter should rest against the left side of the vent opening and the bottom of the filter should rest against the right side of the ventilation chamber at the bottom. If the filter is flat against the fan wall, ventilation effectiveness is reduced.

**Ventilation Chamber:** This area, which houses the filter, should be cleaned in the event of spills or whenever it becomes coated with a film of grease. The ventilation chamber may be cleaned with a paper towel, damp cloth or sponge and a mild household detergent or cleanser.





## Igniters

It is important to keep igniter port openings on burners clear and free of obstructions to avoid ignition failure and possible gas buildup. If the port openings are blocked, use a twist tie to remove food particles.

The igniter cap and stem can be cleaned with warm soapy water and a plastic scrubber. The wire electrode inside the cap can be cleaned with a small brush. Rinse and dry.

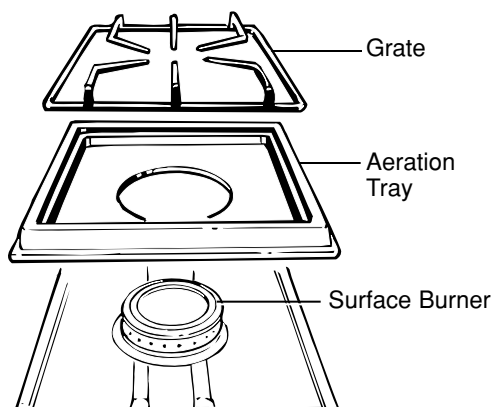
## Griddle Accessory

**DO NOT immerse a hot griddle in cold water.**

Once the griddle has cooled, wash with soap or detergent in hot water in the sink. Be sure to remove all food residue before cooking on the griddle again.

Remove stubborn spots with a plastic scouring pad. For best results, use only those cleaning products which are recommended for use when cleaning non-stick surfaces. Do not use steel wool or coarse scouring pads.

**DO NOT wash in a dishwasher.**



## Surface Burners

**You should clean the surface burners routinely, especially after bad spillovers,** which could clog these holes. Wipe off surface burners. If heavy spillover occurs, remove the surface burners from the cooktop. Burners lift out for cleaning.

**To remove burned-on food,** soak the surface burner in a solution of mild liquid detergent and hot water. Soak the surface burner for 20 to 30 minutes. For more stubborn stains, use a cleanser like Soft Scrub® brand or Bon Ami® brand. **Rinse well to remove any traces of the cleanser that might clog the surface burner openings.** Do not use steel wool because it will clog the surface burner openings and scratch the surface burners. **If the holes become clogged, clean them with a sewing needle or twist tie.**

**Before putting the surface burner back,** shake out excess water and then dry it thoroughly. Then place it back in the cooktop, making sure it is properly seated and level.

Check the flame pattern of each burner; if the flames are “jumpy” (not steady), clean the holes again with a sewing needle or twist tie.

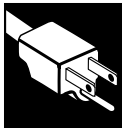
## Porcelain Burner Basin

This area is located under the grill and surface burners and should be cleaned after each use of the grill.

To remove light soil, clean with soapy water or with a cleaner such as 409. For easier cleanup, soak paper towels in a household cleanser, lay in the burner basin and soak for at least a half-hour or longer.

To remove moderate soil, scrub with Comet, Bon Ami, a soft scrub cleanser or plastic scrubber.

To remove stubborn soil, spray with an oven cleaner. Let soak overnight. Wipe clean. Rinse and dry.



# INSTALLATION INSTRUCTIONS

## BEFORE YOU BEGIN

Read these instructions completely and carefully.

**IMPORTANT—OBSERVE ALL GOVERNING CODES AND ORDINANCES.**

**Note to Installer:** Be sure to leave these instructions with the consumer.

## PARTS LIST

- Gas Cooktop base unit
- Literature pack
- 1 Surface burner assembly
- 2 Surface burner grates
- 1 Air filter
- 1 Air grill
- 1 Grease jar
- LP conversion kit (taped to the plenum)

## TOOLS AND PARTS NEEDED

- Large flat blade screwdriver
- Saw
- Carpenter's square
- Pipe wrench
- 7/16" open end wrench
- Gas line shut off valve
- Pipe joint sealant that resists action of LP gas

**For flexible connection where local codes permit:**

- Flexible metal tubing (same 3/4" or 1/2" I.D. as gas supply line)
- Flare union adapter for connection to supply line (3/4" NPT x 3/4" I.D. or 1/2" NPT x 1/2" I.D.)
- Flare union adapter for connection to regulator (1/2" NPT x 3/4" I.D. or 1/2" I.D.)

**For rigid connection:**

- Pipe fittings as required

## IMPORTANT SAFETY INSTRUCTIONS

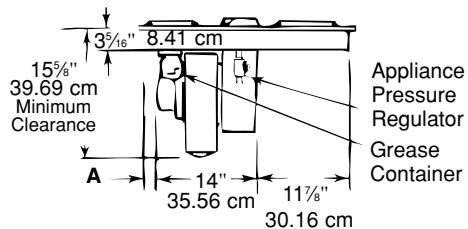
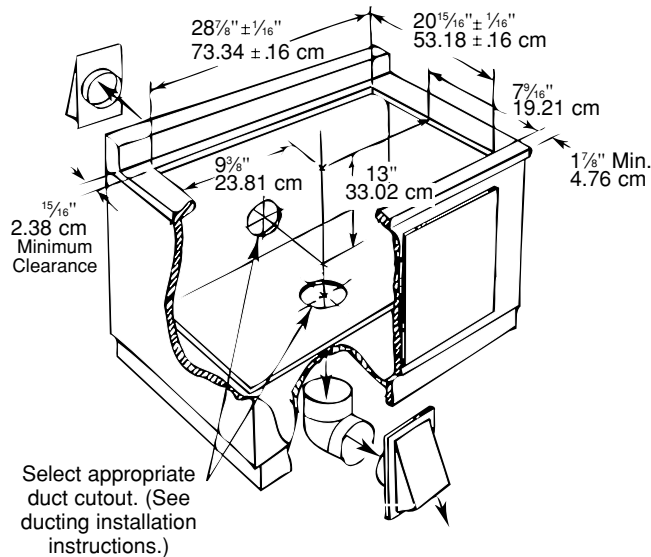
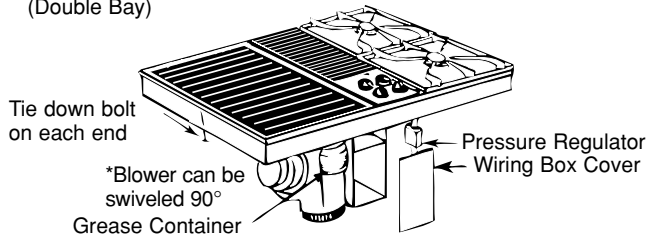
The cooktop has been design certified by the American Gas Association. As with any appliance using gas and generating heat, there are certain safety precautions you should follow. You'll find these precautions in your Use and Care Guide; read it carefully.

- Be sure your cooktop is installed properly by a qualified installer or service technician.
- The cooktop must be electrically grounded in accordance with local codes, or in their absence, with the National Electrical Code ANSI/NFPA No. 70—Latest Edition.
- Installation of this cooktop must conform with local codes, or in the absence of local codes, with the National Fuel Gas Code. ANSI Z223.1—Latest Edition.
- Disconnect electrical supply before servicing.
- Make sure the wall coverings around the cooktop can withstand heat generated by the cooktop up to 200° F.
- If cabinets are placed above the cooktop, allow a minimum clearance of 30" between the cooking surface and the bottom of protected cabinets.
- Protect the underside of the cabinets above the cooktop with not less than 1/4" insulating flame retardant millboard covered with sheet metal not less than 0.0122" thick.
- Clearance between the cooking surface and protected cabinets **MUST NEVER BE LESS THAN 30 INCHES**. The vertical distance from the plane of the cooking surface to the bottom of adjacent overhead cabinets extending closer than 2" to the plane of the cooktop sides must not be less than 18". (See Dimensions and Clearances illustration in this section.)



## PREPARING FOR INSTALLATION

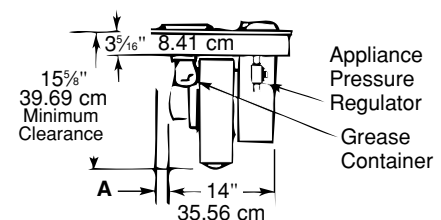
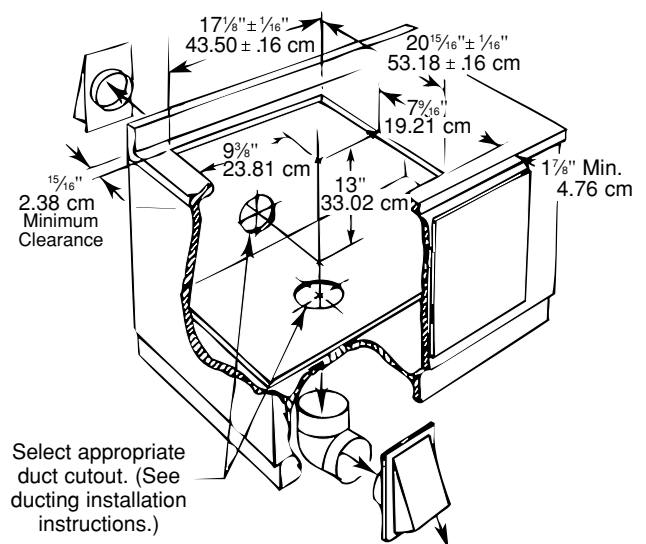
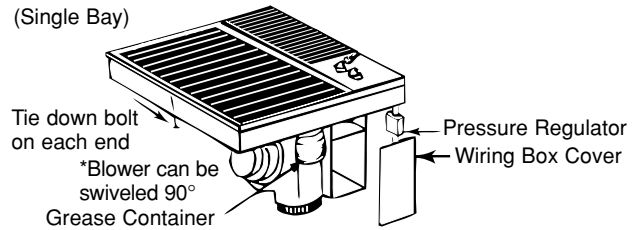
**JGP389**  
(Double Bay)



\*Blower may be rotated for horizontal or vertical direction by loosening nuts around blower inlet. Accessible inside ventilation chamber.

## PREPARING FOR INSTALLATION

**JGP18**  
(Single Bay)



\*Blower may be rotated for horizontal or vertical direction by loosening nuts around blower inlet. Accessible inside ventilation chamber.

## IMPORTANT

Dimension "A"—Provide 2" min. (5.08 cm) cabinet clearance to motor for cooling purpose.

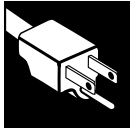
**NOTE:** Where possible 6" (15.24 cm) is recommended for motor/blower service.

Side Clearance—Grills installed near a side wall **should allow a minimum clearance of 6" (15.24 cm)** for best venting performance, but may be safely installed as near as 2" (5.08 cm) from a side wall if required by space limitations.

You must allow room enough to remove and empty grease container(s).

**CAUTION:** Warranty is void on equipment installed other than as recommended by GE. Recommended wall caps and transitions must be used for proper operation and installation.

(continued next page)

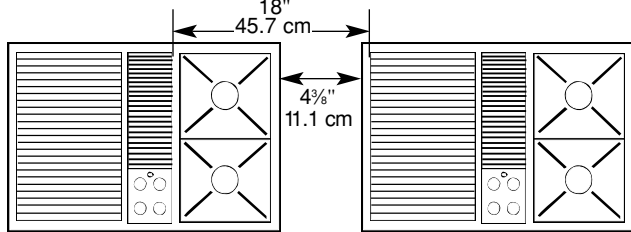


# INSTALLATION INSTRUCTIONS

(continued)

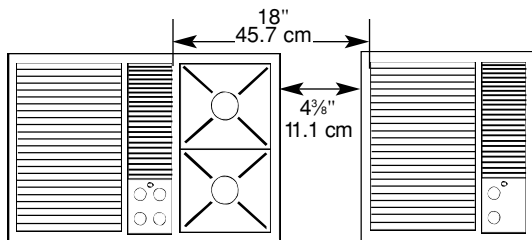
## MINIMUM SPACING REQUIREMENT

When installing a double bay downdraft cooktop in combination with another downdraft cooktop maintain the minimum spacing between units as shown below. Installing them too close will affect cooking performance.



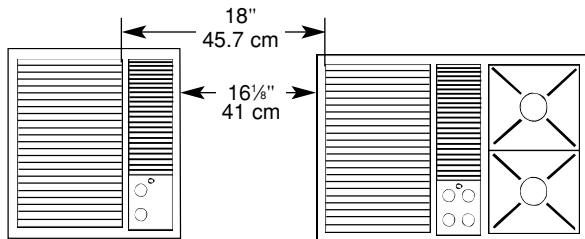
Double Bay

Double Bay



Double Bay

Single Bay

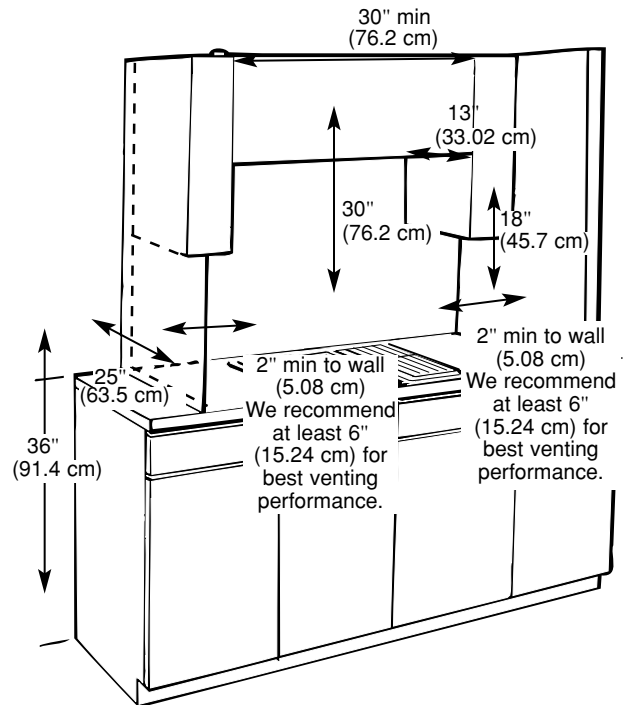


Single Bay

Double Bay

## STEP 1

### INSTALLING CABINETS OVER YOUR COOKTOP



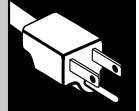
Avoid placing cabinets above the cooktop unit, if possible, in order to reduce the hazards caused by reaching over heated surface units.

If the cabinets are installed above the cooktop, allow a minimum 30" (76.2 cm) clearance between the cooking surface and the bottom of the cabinet.

A non-combustible material must be installed on the under side of the cabinet. Use a flame retardant millboard at least 1/4" (6.3 mm) thick, or gypsum board at least 3/16" (4.7 mm) thick, covered with 28 gauge sheet steel or 0.020" (.5 mm) thick copper. The maximum depth of cabinets above the cooktop is 13 inches (33 cm).

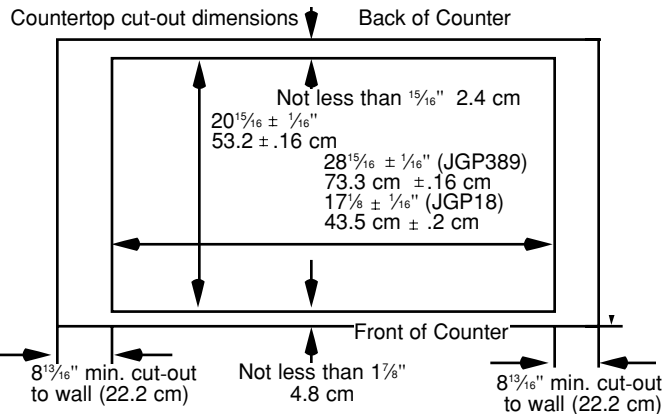
**EXCEPTION:** Installation of a listed microwave oven or cooking appliance over the cooktop shall conform to the installation instructions packed with that appliance.

Working areas adjacent to the cooktop should have an 18" (45.7 cm) minimum clearance between the countertop and the bottom of the cabinet. If the clearance is less than 18" (45.7 cm), the adjacent cabinets should be at least 2" (5.08 cm) from the side of the cooktop.



## STEP 2

### PREPARING THE COUNTERTOP



Cut out the opening as shown in the diagram. Measure carefully when cutting the countertop, making sure the sides of the opening are parallel and the front and rear cuts are exactly perpendicular to the sides.

The front of the opening must clear the front support rail on the cabinet and the rear of the opening must clear the rear support of the cabinet.

Chamfer all exposed edges of decorative laminate to prevent damage from chipping.

**Radius corners of cutout and file to insure smooth edges and prevent corner cracking.**

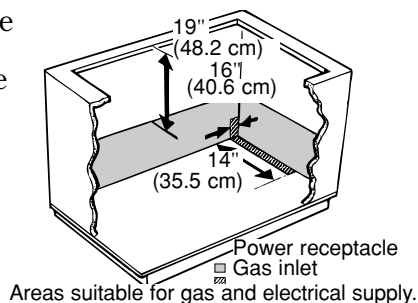
Rough edges, inside corners which have not been rounded and forced fit can contribute to cracking of the countertop laminate.

Countertop must be supported within 3" (7.6 cm) of cutout.

## STEP 3

### GAS AND ELECTRICAL LOCATION

The position of the electrical supply receptacle and the gas supply pipe entering the cabinet should be positioned as shown in the shaded areas marked below. The cooktop is



equipped with a 4' (111.7 cm) power cord, which should reach any desired location on the cabinet walls. The cooktop must be disconnected from the power supply before any servicing is carried out.

## STEP 4

### PROVIDE ADEQUATE GAS SUPPLY

This cooktop is designed to operate on natural gas at 5" (12.7 cm) of water column pressure or on LP gas at 10" (25.4 cm) of water column pressure. It is shipped from the factory set for natural gas. If you decide to use this cooktop with LP gas, conversion adjustments must be made by a service technician or other qualified person.

A pressure regulator is to be connected in series with the manifold of the cooktop and must remain in series with the supply line regardless of whether natural or LP gas is being used.

**For proper operation, the maximum inlet pressure to the regulator must be no more than 10" (25.4 cm) water column pressure for natural gas, or 14" (35.5 cm) water column pressure for LP gas.** For checking the regulator, the inlet pressure must be at least 1" (2.5 cm) greater than the regulator output setting. If the regulator is set for 5" (12.7 cm) of water column pressure, the inlet pressure must be at least 6" (15.2 cm). If the regulator is set for 10" (25.4 cm), the inlet pressure must be at least 11" (27.9 cm).

For ease of installation, and if local codes permit, the gas supply line into the cooktop should be 1/2" (12.7 mm) or 3/4" (19 mm) I.D. flexible metal appliance connector 3 to 5 feet in length.

## STEP 5

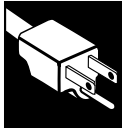
### PRESSURE TESTING

The maximum gas supply pressure for the regulator supplied on this appliance is 14" (35.5 cm) W.C. The test pressure for checking this regulator must be at least 6" (15.2 cm) W.C. for natural gas, and at least 11" (27.9 cm) W.C. for LP. It is shipped from the factory set for natural gas at 5" (12.7 cm) W.C.

This appliance and its individual shutoff valve must be disconnected from the gas supply piping system during any pressure testing of that system at test pressures in excess of 1/2 PSIG.

This appliance must be isolated from the gas supply piping system by closing its individual manual shut off valve during any pressure testing of the gas supply piping system at test pressures equal to or less than 1/2 PSIG.

(continued next page)



# INSTALLATION INSTRUCTIONS

(continued)

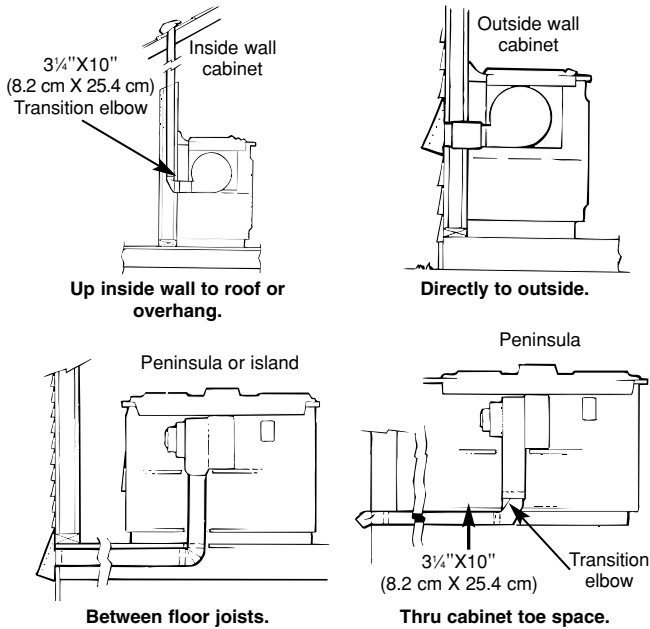
## STEP 6

### PREPARE FOR DUCTWORK

**NOTE:** Ductwork **MUST** be vented outside. **DO NOT** vent into a wall, ceiling, crawlspace, attic or any concealed space.

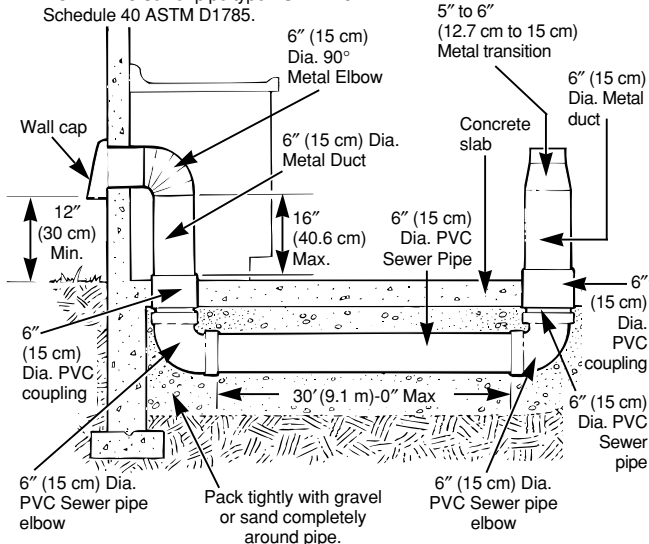
Determine the best route for ductwork; it can be routed in a variety of ways depending on the kitchen layout.

#### Typical duct arrangement countertop series.



#### Optional duct arrangement under concrete slab.

**NOTE:** PVC sewer pipe type PSM 12454-B Schedule 40 ASTM D1785.



## STEP 7

### GAS CONNECTION

Make the gas connection to the inlet of the pressure regulator on this appliance with a 1/2" pipe nipple with male pipe thread. Use an approved pipe joint compound resistant to the action of LP gas at pipe connections.

Install a manual shut-off valve in the gas line in an easily accessible location, as close to the pipe stub as possible, making allowances for the ventilation ducting.

Be sure you know how and where to shut off the gas supply to the cooktop.

#### NOTE:

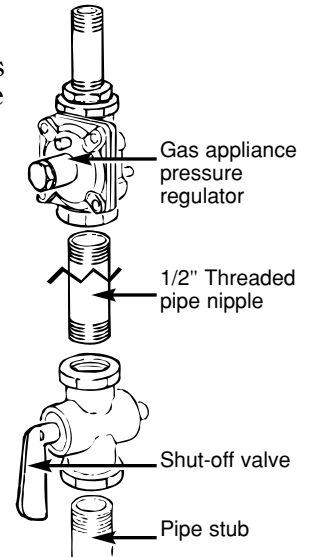
Instead of using solid piping to connect to pressure regulator, an approved flexible metal appliance connector may be used between the pipe stub and shut off valve and the pressure regulator, if local codes permit.

Appropriate flare union adapters are required at each end of the flexible connector.

Turn on the gas; check for leaks using a liquid leak detector at all joints in the system.

#### CAUTION: DO NOT USE A FLAME TO CHECK FOR GAS LEAKS.

**IMPORTANT**—Disconnect the cooktop and the individual shut off valve from the gas supply piping system during any pressure testing of that system at test pressures greater than 1/2 PSIG. Isolate the cooktop from the gas supply piping system by closing the individual manual shut off valve to the cooktop during any pressure testing of the gas supply piping system at test pressures equal to or less than 1/2 PSIG.





## STEP 8

### PLAN THE DUCT RUN

1. Make a sketch of the total system. Identify the type of each fitting and the length of straight pipe.
2. Enter your run into the Duct Length Chart in this guide. Elbows, wall caps and other fittings are shown in the chart with their equivalent straight duct length. Each fitting value must be added to the amount of straight duct length used to determine the overall straight duct equivalent length. Use the following examples as a guide.
3. Using good quality ducting material, install per these instructions. A few minutes and pennies spent now will pay long term dividends for the life of the cooktop.

## STEP 9

### INSTALL THE DUCTWORK

- Ducting must conform to local code materials and “make-up” requirements—300 CFM minimum.
- **IMPORTANT:** Save for local electrical inspector’s use.
- Ducting a cooktop is easy but critical for proper performance.
- After reading these instructions, plan the duct run.
- Use the “Duct Length Chart” to find the equivalent length of the run.
- Shift the blower to “high range” if indicated (done by snapping the “restrictor ring” out of the blower inlet). Be sure blower is not running.
- Install the duct hardware.

#### IMPORTANT

**Total allowance duct system is:**

**90' with 6" round wall cap**

**80' with 3¼"x10" wall cap**

**Low range is up to 60'**

**High range is 61 to 90'**

#### GENERAL CONSIDERATIONS:

1. Use 6" diameter round or 3¼"x10" rectangular only except as follows: For gas models, 5" diameter round must be used if the straight duct length is 10 feet or less, using 5" round wall cap.
2. Do not use 5" elbows except in a 5" system. Instead, use a 5" to 6" transition followed by a 6" elbow, or a 5" to 3¼"x10" elbow transition.

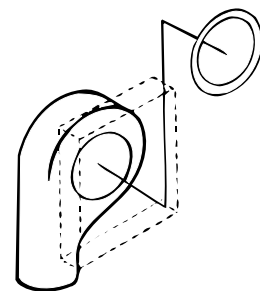
3. Use quality metal duct of at least 26 gauge galvanized or 24 gauge aluminum. Inferior quality pipe and fittings can cause up to twice the restriction shown and is a poor value. See the Prepare for Duct Work section of this guide for optional under-slab ducting. Local codes may require a heavier gauge material or restrict PVC.
4. Distance between adjacent fittings (elbows, transitions, etc.) should be at least 18". The farther the better. Closer distance promotes turbulence which reduces airflow.
5. The number of downstream elbows or transitions should be limited to three. The initial 5" to 6" straight transition, if used, need not be counted in this number.
6. Handmade crimps are likely to cause restrictions.
7. If an alternate wall or roof cap is used, be certain duct size is not reduced, and that there is a backdraft damper. It is best to use listed caps to be certain of proper performance.
8. Thermal breaks: In areas of extreme cold weather, it may be necessary to provide a short length of nonmetallic duct as close to the wall as possible, to prevent conduction along the metal duct.
9. High altitude installations: It is advisable to reduce allowable duct run by 20%.
10. Follow the duct calculation in this guide carefully for best performance and satisfaction.

## STEP 10

### SHIFTING THE BLOWER FROM "LOW RANGE" TO "HIGH RANGE"

This cooktop is equipped with a dual range blower. It is shipped from the factory in Low Range for most installations. If the Equivalent Duct Length exceeds 60 feet it must be shifted to High range. Do not shift to high range for shorter lengths. This will cause excessive noise, conditioned air loss and affect the flame pattern on gas burners.

To shift to High Range, be sure the blower is stopped. Remove the air grill. Remove the filter and intake guard. Pop the spring loaded “restrictor ring” out of the blower inlet. Replace the intake guard, grill and filter.



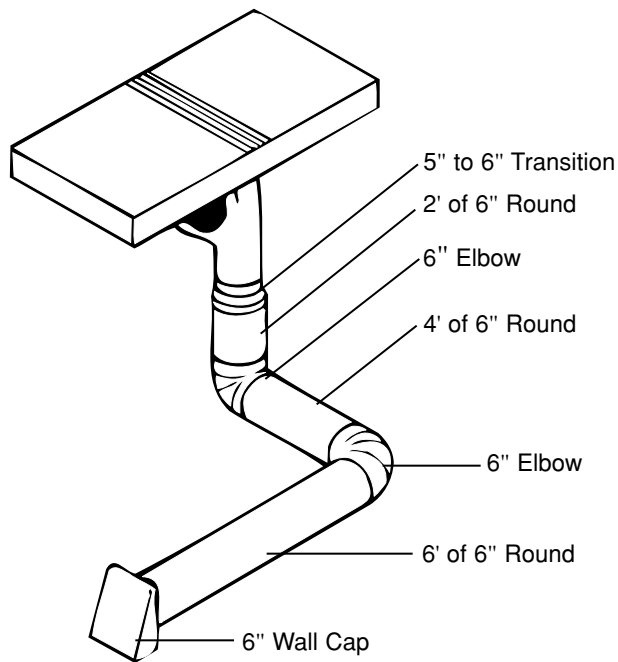
(continued next page) 23



# INSTALLATION INSTRUCTIONS

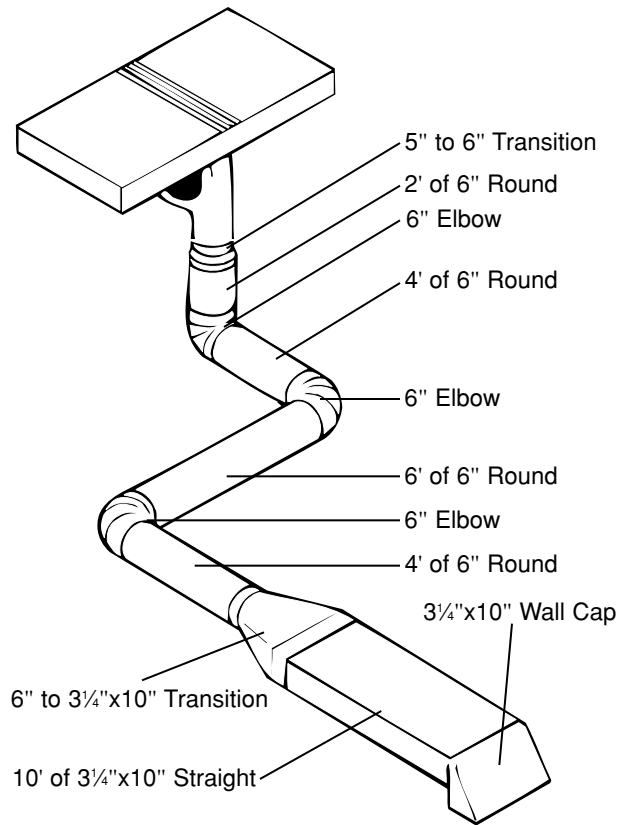
(continued)

**Example 1**



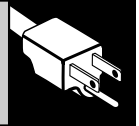
	Duct Fitting Equivalent Length	Number of Fittings	Total Equivalent Length of Fittings
5" to 6" Transition	1	1	1
6" Straight	1	2+4+6=12	12
6" Elbow	5	2	10
6" Wall Cap	28	1	28
<b>Total</b>			<b>51</b>

**Example 2**

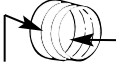
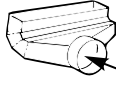
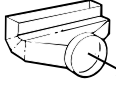
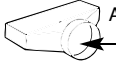
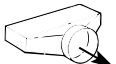
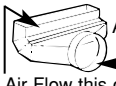
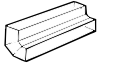
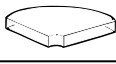



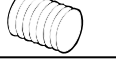


	Duct Fitting Equivalent Length	Number of Fittings	Total Equivalent Length of Fittings
5" to 6" Transition	1	1	1
6" Straight	1	2+4+6+4=16	16
6" Elbow	5	3	15
6" to 3/4"x10" Transition	1	1	1
3/4"x10" Straight	1	10	10
3/4"x10" Wall Cap	20	1	20
<b>Total</b>			<b>63</b>

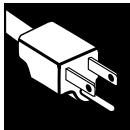




## DUCT LENGTH CHART

Duct Fitting	Duct Fitting Equivalent Length	Number of Fittings	Total Equivalent Length-Fitting
8" Diameter 90° Elbow	5' (1.52 m)		
6" Diameter 45° Elbow	2.5' (.76 m)		
 5" to 6" Transition (12.7 cm to 15.24 cm) Air Flow this direction not recommended.	1.0' (.30 m)		
 6" to 3/4"x10" 90° Elbow (15.24 cm to 8.26 cm x 25.4 cm)	5' (1.52 m)		
 3/4"x10" to 6" 90° Elbow (8.26 cm x 25.4 cm to 15.24 cm)	9' (2.75 m)		
 6" to 3/4"x10" 90° Elbow (15.24 cm to 8.26 cm x 25.4 cm)	1' (.30 m)		
 3/4"x10" to 6" Transition (8.26 cm x 25.4 cm to 15.24 cm)	4.5' (1.37 m)		
 5" to 3/4"x10" 90° Elbow (12.7 cm to 8.26 cm x 25.4 cm) Air Flow this direction not recommended.	6' (1.83 m)		
 3/4"x10" 90° Elbow (8.26 cm x 25.4 cm)	5' (1.52 m)		
 3/4"x10" Flat Elbow (8.26 cm x 25.4 cm)	12' (3.66 m)		
 6" Wall Cap (15.24 cm)	28' (8.53 m)		
 3/4"x10" Wall Cap (8.26 cm x 25.4 cm)	20' (6.10 m)		
 10"x10" Roof Jack (25.4 cm x 25.4 cm)	0' (0 m)		
 Thermal Break	2' (.61 m)		
6" Diameter Straight Duct—Feet (For flex duct multiply by 2.)	1' (.30 m)		
3/4"x10" Straight Duct—Feet	1' (.30 m)		
<b>System Total</b>			

(continued next page)



# INSTALLATION INSTRUCTIONS

(continued)

## STEP 11

### ELECTRICAL CONNECTION

#### Electrical requirements:

120 volt, 60 Hertz, individual, properly grounded branch circuit protected by a 15 amp circuit breaker or time delay fuse.

### GROUNDING

**IMPORTANT:** (Please read carefully.)  
FOR PERSONAL SAFETY, THIS APPLIANCE  
MUST BE PROPERLY GROUNDED.

The power cord of this appliance is equipped with a three-prong (grounding) plug which mates with a standard three-prong grounding wall receptacle to minimize the possibility of electric shock hazard from this appliance. The customer should have the wall receptacle and circuit checked by a qualified electrician to make sure the receptacle is properly grounded and has correct polarity.

Where a standard two-prong wall receptacle is encountered, it is the personal responsibility and obligation of the customer to have it replaced with a properly grounded three-prong wall receptacle in accordance with the National Electrical Code.

**Do Not, Under Any Circumstances, Cut Or Remove The Third (ground) Prong From The Power Cord.**

Do not use an extension cord with this appliance.

## STEP 12

### CHECK IGNITION

After installing the cooktop, check the ignition of each burner.

1. Push in one knob and turn to the LITE position (180° from OFF). The igniter will spark and the burner will light.
2. After the burner is lit, turn the knob to HI and the igniter will stop sparking.
3. Turn the knob to the OFF position.

Repeat this for each burner.

# CONVERTING TO LP GAS

or Converting Back to Natural Gas from LP



## HOW TO CONVERT FOR USE WITH LP GAS OR NATURAL GAS

This cooktop leaves the factory set for use with natural gas. If you convert to LP gas, keep these instructions and orifices in case you want to convert back to natural gas.

The conversion should be done by a qualified technician or installer.

### TOOLS REQUIRED:

1/2" open-end wrench

Flat blade screwdriver (small)

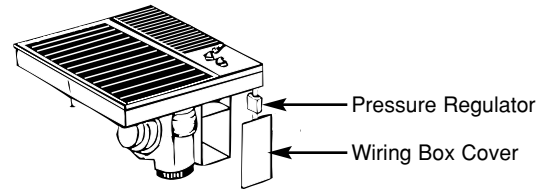
Nut drivers: 5/16" or a small adjustable (depending on the size of the spuds)

### 1 PREPARE COOKTOP FOR CONVERSION

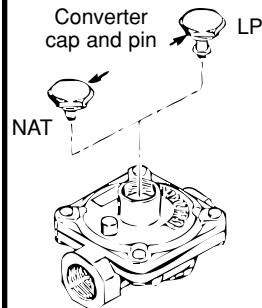
- (1) Turn off gas supply at the wall.
- (2) Turn off the electrical power to the cooktop.

### 2 CONVERT THE PRESSURE REGULATOR

**WARNING:** Do not remove the pressure regulator.



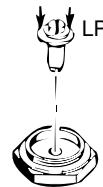
1. Use an adjustable wrench to remove the cap from the pressure regulator.



2. Apply sideward finger pressure to remove the plastic pin from the metal cap.



3. Push down on the disc edges to replace the pin in the cap.



**HINT:** To turn the pin over, place the cap on a flat surface and press the pin sideways with your fingers.

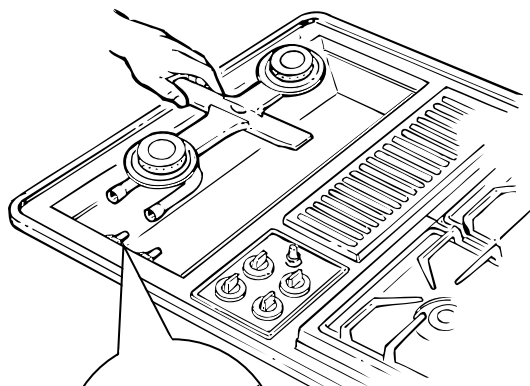
(continued next page)



# CONVERTING TO LP GAS

(continued)

## 3 CONVERTING SURFACE BURNERS



1/2" Open End Wrench

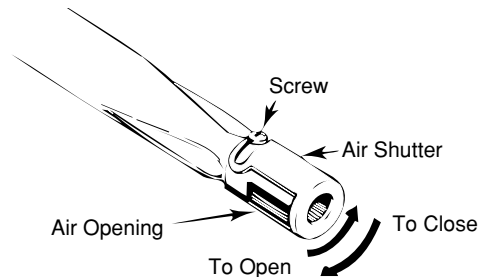
Turn clockwise to tighten.

Turn counterclockwise to remove.

1. Remove burner module and assembly bracket.
2. With a 1/2" open end wrench, remove the orifice hoods.
3. Find the color-coded LP orifice hoods in the plastic bag attached to the side of the plenum underneath the cooktop.
4. Install the silver-colored LP orifice hoods (marked "66") in place of the green ones (on the gas outlets in the bay to the left of the controls). Install the blue-colored LP orifice hoods (marked "63") in place of the brass ones (on the gas outlets in the bay that is to the right of the controls in double-bay models).
5. Replace the burner assemblies.
6. Keep all the spuds with your cooktop so you have them if you move or get a different gas hook-up.

Top Burner	Orifice Drill Size	Color
<b>Left Side</b>		
Natural Gas	#55 (.0520 Dia.)	Green
LP (Propane)	#66 (.0330 Dia.)	Silver
<b>Right Side</b>		
Natural Gas	#53 (.0599 Dia.)	Brass
LP (Propane)	#63 (.037 Dia.)	Blue

## 4 CONVERT SURFACE BURNER AIR SHUTTER (on some models)

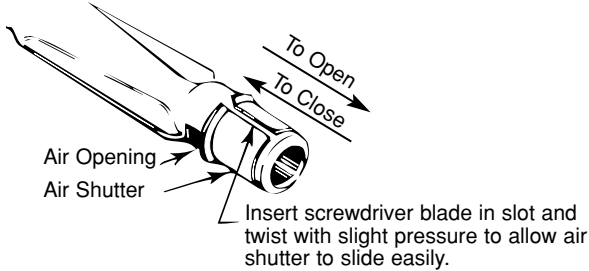


For LP gas, loosen the Phillips head screw and rotate the shutter to the full open position. After 30 seconds of burner operation, check for flames lifting off burner ports. If lifting is observed, gradually reduce air shutter opening until flames are stabilized. After making the conversion, tighten the screw.

**For natural gas**, the shutter should be open 1/2" or about 3/4 of the way open.



### 5 CONVERT GRILL BURNER AIR SHUTTER (on some models)



The left hand air shutter controls the rear half of the grill burner; the right hand shutter controls the front half.

Slide air shutter backward or forward to increase or decrease the size of the air opening. Air shutters fit snugly on the grill burner, so a screwdriver blade may be required to make this adjustment (see illustration). The snug fit of the air shutter assures it will remain positioned correctly.

### 6 CHECK FOR LEAKS

When all connections have been made, make sure all cooktop controls are in the off position and turn on the main gas supply valve. Use a liquid leak detector at all joints and connections to check for leaks in the system.

**CAUTION: DO NOT USE A FLAME TO CHECK FOR GAS LEAKS.**

When using test pressures greater than 1/2 PSIG to pressure test the gas supply system of the residence, disconnect the cooktop and individual shut-off valve from the gas supply piping. When using test pressures of 1/2 PSIG or less to test the gas supply system, simply isolate the cooktop from the gas supply system by closing the individual shut-off valve.

### 7 ADJUST LOW FLAME SETTING

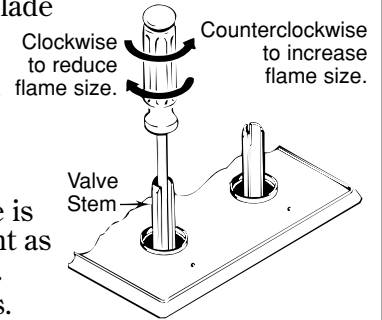
1. Light the top burners and continue turning all of the surface knobs to LOW.

2. Remove all 4 knobs.

3. With a small flat blade screwdriver, turn the valve set screws clockwise to decrease flame size, counterclockwise to increase flame size.

Adjust until the flame is about the same height as the top of the burner.

4. Replace the knobs.



### 8 CHECK QUALITY OF FLAMES

The combustion quality of burner flames needs to be determined visually.



(A) **Yellow flames**—Call for service



(B) **Yellow tips on outer cones**—Normal for LP gas

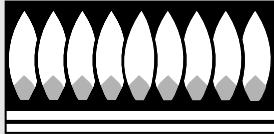
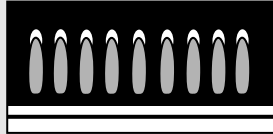
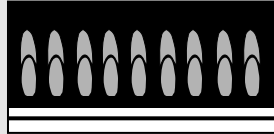


(C) **Soft blue flames**—Normal for natural gas

If burner flames look like (A), call for service. Normal burner flames should look like (B) or (C), depending on the type of gas you use. With LP gas, some yellow tipping on outer cones is normal.



## QUESTIONS? USE THIS PROBLEM SOLVER

PROBLEM	POSSIBLE CAUSE
BURNERS DO NOT LIGHT	<ul style="list-style-type: none"> <li>• Make sure electrical plug is plugged into a live power outlet.</li> <li>• Check for a blown circuit fuse or a tripped main circuit breaker.</li> <li>• Check to be sure igniter is clicking. If igniter doesn't click, turn control knob off and clean igniter.</li> <li>• Check to be sure appliance regulator is set for correct fuel.</li> <li>• Check to be sure inlet pressure is adequate.</li> <li>• Burner parts not replaced correctly.</li> <li>• Check to be sure burner ports or igniter ports are not clogged.</li> </ul>
BURNERS HAVE YELLOW OR YELLOW-TIPPED FLAMES	<div style="display: flex; justify-content: space-around; align-items: center;"> <div style="text-align: center;">  <p>(A) Yellow flames — Call for service</p> </div> <div style="text-align: center;">  <p>(B) Yellow tips on outer cones — Normal for LP gas</p> </div> <div style="text-align: center;">  <p>(C) Soft blue flames — Normal for natural gas</p> </div> </div> <ul style="list-style-type: none"> <li>• If burner flame looks like (A), call for service. Normal burner flames should look like (B) or (C), depending on the type of gas.</li> </ul> <p><b>NOTE:</b> The grill burner will show orange flames from grease drippings.</p>
FLAME IS UNEVEN	<ul style="list-style-type: none"> <li>• Burner ports may be clogged.</li> <li>• Flame setting may need to be adjusted.</li> </ul>
FLAME LIFTS OFF THE PORTS	<ul style="list-style-type: none"> <li>• Shutter on the mixer tube needs to be closed until the flame settles on the burner ports. See Minor Adjustments You Can Make section in this guide.</li> </ul>
BURNER FLAMES VERY LARGE OR YELLOW	<ul style="list-style-type: none"> <li>• If cooktop is connected to LP gas, check all steps in the Installation Instructions.</li> </ul>
BURNER CONTROL KNOB WILL NOT TURN	<ul style="list-style-type: none"> <li>• When the knob is at the OFF position, it must be pushed in before it can be turned, and it can only be turned in a <b>counterclockwise</b> direction. When the knob is at any other position, it can be turned in either direction without being pushed in.</li> </ul>
FAN DOES NOT WORK	<ul style="list-style-type: none"> <li>• Fan control knob must be turned in clockwise direction to turn fan on.</li> </ul>
FAN TURNS ON AUTOMATICALLY	<ul style="list-style-type: none"> <li>• This is normal. The fan will operate automatically when the grill is in use.</li> </ul>

**If you need more help...call toll free:**  
**GE Answer Center®**  
**800.626.2000**  
 consumer information service

# We'll Be There

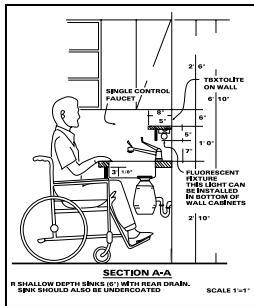
With the purchase of your new GE appliance, receive the assurance that if you ever need information or assistance from GE, we'll be there. All you have to do is call—toll-free!

## **GE Answer Center®** **800.626.2000**

Whatever your question about any GE major appliance, GE Answer Center® information service is available to help. Your call—and your question—will be answered promptly and courteously. And you can call any time. GE Answer Center® service is open 24 hours a day, 7 days a week.

## **In-Home Repair Service** **800-GE-CARES (800-432-2737)**

A GE consumer service professional will provide expert repair service, scheduled at a time that's convenient for you. Many GE Consumer Service company-operated locations offer you service today or tomorrow, or at your convenience (7:00 a.m. to 7:00 p.m. weekdays, 9:00 a.m. to 2:00 p.m. Saturdays). Our factory-trained technicians know your appliance inside and out—so most repairs can be handled in just one visit.



## **For Customers With Special Needs...** **800.626.2000**

Upon request, GE will provide Braille controls for a variety of GE appliances, and a brochure to assist in planning a barrier-free kitchen for persons with limited mobility. To obtain these items, free of charge, call 800.626.2000.

Consumers with impaired hearing or speech who have access to a TDD or a conventional teletypewriter may call 800.TDD.GEAC (800.833.4322) to request information or service.

## **Service Contracts** **800-626-2224**

You can have the secure feeling that GE Consumer Service will still be there after your warranty expires. Purchase a GE contract while your warranty is still in effect and you'll receive a substantial discount. With a multiple-year contract, you're assured of future service at today's prices.

## **Parts and Accessories** **800-626-2002**

Individuals qualified to service their own appliances can have parts or accessories sent directly to their home. The GE parts system provides access to over 47,000 parts...and all GE Genuine Renewal Parts are fully warranted. VISA, MasterCard and Discover cards are accepted.

User maintenance instructions contained in this guide cover procedures intended to be performed by any user. Other servicing generally should be referred to qualified service personnel. Caution must be exercised, since improper servicing may cause unsafe operation.

# YOUR GE COOKTOP WARRANTY

**Staple sales slip or cancelled check here. Proof of original purchase date is needed to obtain service under warranty.**

## WHAT IS COVERED

### FULL ONE-YEAR WARRANTY

For one year from date of original purchase, we will provide, free of charge, parts and service labor in your home to repair or replace **any part of the cooktop** that fails because of a manufacturing defect.

\*\*\*\*\*

This warranty is extended to the original purchaser and any succeeding owner for products purchased for ordinary home use in the 48 mainland states, Hawaii and Washington, D.C. In Alaska the warranty is the same except that it is LIMITED because you must pay to ship the product to the service shop or for the service technician's travel costs to your home.

All warranty service will be provided by our Factory Service Centers or by our authorized Customer Care<sup>®</sup> servicers during normal working hours.

Should your appliance need service, during warranty period or beyond, call 800.GE.CARES (800.432.2737).

## WHAT IS NOT COVERED

- Service trips to your home to teach you how to use the product.

### Read your Use and Care material.

If you then have any questions about operating the product, please contact your dealer or our Consumer Affairs office at the address below, or call, toll free:

GE Answer Center<sup>®</sup>  
800.626.2000  
consumer information service

- Improper installation.

If you have an installation problem, contact your dealer or installer. You are responsible for providing adequate electrical, gas, exhausting and other connecting facilities as described in the Installation Instructions provided with the product.

- Replacement of house fuses or resetting of circuit breakers.

- Failure of the product if it is used for other than its intended purpose or used commercially.

- Damage to product caused by accident, fire, floods or acts of God.

WARRANTOR IS *NOT* RESPONSIBLE FOR CONSEQUENTIAL DAMAGES.

Some states do not allow the exclusion or limitation of incidental or consequential damages, so the above limitation or exclusion may not apply to you. This warranty gives you specific legal rights, and you may also have other rights which vary from state to state. To know what your legal rights are in your state, consult your local or state consumer affairs office or your state's Attorney General.

**Warrantor: General Electric Company**

**If further help is needed concerning this warranty, write:  
Manager—Consumer Affairs, GE Appliances, Louisville, KY 40225**

JGP18  
JGP389





# Guía de uso y de cuidado e instalación

## Estufa de gas con tiro descendente



**Instrucciones importantes de seguridad**..... 2-5



**Operación: instrucciones y consejos**

Controles ..... 8, 9  
Cacerolas para cocinar ..... 9  
Ignición eléctrica ..... 8  
Características ..... 6  
Módulos de los quemadores de la superficie ..... 6, 10-14, 17  
Quemadores de la superficie ..... 6  
Sistema de ventilación ..... 15



**Cuidado y limpieza** ..... 15-17

Perillas de control y sello del panel de control ..... 15  
Recipiente para grasa ..... 15  
Accesorios de la plancha para asar ..... 17  
Quemador del asador ..... 16  
Cubierta del asador ..... 16  
Parrillas del asador ..... 16  
Pilotos ..... 17  
Contenedor de porcelana del quemador ..... 17  
Cubierta de porcelana ..... 15  
Quemadores de la superficie ..... 17  
Sistema de ventilación ..... 16



**Guía para resolver problemas** ..... 30

¿Más preguntas?...llame a **GE Answer Center® 800.626.2000**



**Instrucciones de instalación** ..... 18-26



**Cómo convertir a gas LP** ..... 27-29



**Servicios al consumidor**..... 31

Registro del aparato ..... 2  
Números telefónicos importantes ..... 31  
Números del modelo y de la serie ..... 2  
Garantía ..... 32

**Electrodomésticos GE**

**Modelos: JGP18 JGP389**



## PERMITANOS AYUDARLE...

### Antes de utilizar la cubierta lea cuidadosamente este instructivo.

Este manual está destinado para ayudarle y para mantener en forma apropiada la cubierta nueva. Manténgalo siempre a mano para resolver cualquier duda.

Si no comprende algo o necesita ayuda, llame a:

**GE Answer Center®**

**800.626.2000**

**24 horas del día, 7 días a la semana**

### Anote los números del modelo y de la serie.

Los encontrará en una etiqueta que se encuentra en el lado del área debajo de la cubierta. Estos números también se encuentran en la Tarjeta de registro de propiedad del producto del consumidor que viene incluida con la cubierta. Antes de enviar dicha tarjeta, anote los números aquí:

Número del modelo

Número de la serie

Utilice estos números si envía correspondencia o hace alguna llamada para solicitar un servicio, que tenga relación con su cubierta.

### Si recibió una cubierta dañada...

Póngase en contacto de inmediato con el distribuidor (o fabricante) que le vendió la cubierta.

### Ahorre tiempo y dinero.

#### Antes de solicitar el servicio...

Consulte la sección de Guía para resolver problemas al respaldo de este manual. Allí aparecen los principales problemas de operación que Ud. mismo puede corregir.

## SI NECESITA SERVICIO...

Para obtener servicio, vea la sección Servicios al consumidor al respaldo de esta guía.

Estamos orgullosos de nuestro servicio y queremos complacerlo. Si por alguna razón no está satisfecho con el servicio que recibe, he aquí algunos pasos que puede seguir.

PRIMERO, póngase en contacto con quien le prestó el servicio. Explíquele porqué no está satisfecho. En la mayoría de los casos, esto solucionará el problema.

DESPUES, si aún no está satisfecho, escriba todos los detalles, incluyendo su número telefónico, a:

Manager, Consumer Relations  
GE Appliances  
Appliance Park  
Louisville, KY 40225

**ADVERTENCIA: Si no se sigue con precisión la información en este manual, un incendio o explosión puede resultar causando daños a la propiedad, heridas personales o muerte. Guarde estas instrucciones para consultas futuras.**

— No guarde ni use gasolina u otros vapores o líquidos inflamables cerca de este o cualquier otro aparato.

— SI HUELE A GAS

- No trate de encender ningún aparato.
- No toque ningún interruptor eléctrico; no use ningún teléfono en su edificio.
- Apague cualquier llama que esté encendida.

- Llame inmediatamente a su abastecedor de gas del teléfono de su vecino. Siga las instrucciones del abastecedor de gas.
- Si no puede comunicarse con su abastecedor de gas, llame al cuerpo de bomberos.
- La instalación y el servicio deben ser efectuados por un instalador calificado, la agencia de servicio o el abastecedor de gas.

# INSTRUCCIONES IMPORTANTES DE SEGURIDAD



Lea estas instrucciones antes de usar este aparato.

## AVISO IMPORTANTE DE SEGURIDAD

- **El California Safe Drinking Water and Toxic Enforcement Act** (Ley sobre los productos tóxicos y de agua potable de California) requiere que el gobernador de California publique una lista de sustancias que el estado sabe causan cáncer, defectos de nacimiento u otros daños de reproducción, y requiere que los negocios les avisen a los clientes contra la exposición potencial a tales sustancias.

**Los aparatos de gas causan exposición mínima a cuatro de estas sustancias**, tales como el benceno, el monóxido de carbono, el formaldehído y el hollín, causados primordialmente por la combustión incompleta de gas natural o gas LP (Propano). Los quemadores bien ajustados, indicados por una llama azul en vez de una llama amarilla, minimizarán la combustión incompleta. La exposición a estas sustancias puede minimizarse más, ventilando con una ventana abierta o usando un ventilador o una campana de ventilación.

**Todos los aparatos—sin importar el fabricante—tienen el potencial de crear problemas de seguridad si se utilizan de manera incorrecta o sin tomar las precauciones necesarias. Por lo tanto, deberán observarse las siguientes precauciones de seguridad.**

## Cuando reciba su cubierta

**Cuando reciba su cubierta pídale al técnico que le muestre la localización de la llave de paso y cómo se cierra en caso de necesidad.**

- **Su cubierta deberá ser instalada y conectada a tierra correctamente por un técnico calificado**, de acuerdo a las Instrucciones de instalación. Cualquier ajuste o servicio deberán realizarlo únicamente técnicos calificados en instalación de cubiertas de gas o técnicos calificados en servicio.
- **Conecte su cubierta únicamente a una toma de corriente de 120 voltios que esté conectada a tierra.** No quite la pata de conexión a tierra de la clavija. Si tiene alguna duda sobre el sistema eléctrico de conexión a tierra de su casa, es su responsabilidad y obligación personal cambiar la toma de corriente que no esté aterrizada por una toma de corriente adecuada de tres entradas que esté conectada a tierra de acuerdo con los requerimientos del Código Eléctrico Nacional. No utilice un cable de extensión para este aparato.

- **Asegúrese de quitar todo el material de empaque de la cubierta** antes de utilizarla para evitar riesgos de incendio o lesiones por fuego o humo en caso de que se incendie el material de empaque.
- **Asegúrese de que su cubierta sea ajustada por un técnico de servicio calificado o un técnico calificado en la instalación de tipos de cubierta que usen el tipo de gas (natural o LP) que se utilice en su área.** Su cubierta puede adaptarse para utilizarse con cualquier tipo de gas. Vea las Instrucciones de instalación. Su modelo ha sido ajustado en la fábrica para usarse con gas natural.
- **No trate de reparar o reemplazar cualquier parte de su cubierta a menos que se recomiende en forma específica en este instructivo.** Cualquier otro tipo de servicio deberá confiarse a un técnico calificado.

## ADVERTENCIA—PARA REDUCIR EL RIESGO DE INCENDIO, CHOQUE ELECTRICO O LESIONES A LAS PERSONAS, VIGILE LO SIGUIENTE:

- A. Utilice esta unidad únicamente en la forma que lo determina el fabricante. Si tiene alguna pregunta póngase en contacto con el fabricante.
- B. Antes de darle servicio o limpiar la unidad, apague la unidad con el interruptor que se encuentra en el Panel de servicio.
- C. Cuando corte o perforo una pared o el techo, procure no dañar los cables eléctricos u otros materiales que no se encuentren a la vista.
- D. Los ventiladores de ducto siempre deberán tener una salida de ventilación hacia el exterior.
- E. Para reducir el riesgo de incendio, utilice únicamente ductos de metal.

*(continúa en la página siguiente)*



# INSTRUCCIONES IMPORTANTES DE SEGURIDAD

(continuación)

## ADVERTENCIA—PARA REDUCIR EL RIESGO DE INCENDIO DEBIDO A LA PRESENCIA DE GRASA EN LA CUBIERTA:

- A. Mantenga limpios el ventilador, los filtros y las superficies que tengan exceso de grasa.
- B. Siempre ENCIENDA el ventilador cuando cocine con la llama alta.
- C. Utilice la llama alta en la cubierta únicamente cuando sea necesario. Caliente lentamente el aceite con una llama de intensidad baja a media.
- D. No deje sin vigilancia la cubierta cuando esté cocinando.
- E. Siempre utilice ollas y utensilios de cocina apropiados para el tipo y cantidad de comida que se esté preparando.

**PRECAUCION—Únicamente para usarse como ventilación general. No se utilice para extraer por succión materiales o vapores peligrosos o explosivos.**

## Cómo utilizar su cubierta

- **No deje a los niños solos o sin atención si la estufa se encuentra caliente o funcionando.** Podrían quemarse gravemente.
- **PRECAUCION: No deberán guardarse objetos que puedan ser de interés para los niños en los gabinetes que se encuentran sobre la cubierta.** Los niños que trepan a la cubierta para alcanzar algún artículo pueden lesionarse gravemente.
- **Limpie la cubierta con cuidado.** Si utiliza una esponja o tela mojada para limpiar los derrames en una cubierta caliente, tenga cuidado de no quemarse con el vapor.
- **No limpie la cubierta con líquidos inflamables o volátiles.**
- **No limpie la cubierta cuando la esté utilizando.**
- **Deje que las parrillas de los quemadores y otras superficies se enfríen antes de tocarlas o dejarlas donde los niños pueden tomarlas.**
- **No lleve nunca vestidos desabrochados o caídos al usar el aparato.** Tenga cuidado al tomar los artículos guardados en los armarios sobre la cubierta. Los materiales inflamables se podrían encender si tuvieran contacto con llamas o superficies calientes del horno y podrían causar quemaduras graves.

- **Por su seguridad nunca utilice un aparato para calentar o entibiar una habitación. El uso prolongado de su cubierta bajo estas condiciones puede ser peligroso.**



- **No use agua para fuegos de grasa. Nunca recoja una sartén en llamas.** Apague los controles. Ahogue una sartén en llamas sobre un quemador cubriendo completamente la sartén con una tapa que ajuste bien, una bandeja de hornear, o una charola plana. Use un extintor de fuegos de sustancia química seca de multiuso o de tipo espuma.

La grasa en llamas de fuera de una sartén se puede extinguir cubriéndola con bicarbonato de sodio, o si está disponible, usando un extintor de fuegos de sustancia química seca de multiuso o de tipo espuma.

- **No guarde materiales inflamables cerca de la cubierta.** No guarde o utilice gasolina u otros vapores o líquidos inflamables cerca de éste u otro aparato.



- **No permita que se acumulen otros materiales inflamables o cochambre en o cerca de la cubierta.**
- **Nunca deje desatendidos los quemadores en las posiciones de llamas altas.** Las salpicaduras pueden causar humo y derrames de grasa que pueden encenderse.
- **Ajuste el tamaño de la llama del quemador superior para que no extienda sobre la extremidad de la cacerola.** Las llamas excesivas son peligrosas.



- **Utilice únicamente cojinetes secos para agarrar ollas calientes—**las telas húmedas o mojadas que se usen en superficies calientes pueden dar como resultado quemaduras por el vapor que se produce. No permita que las telas se acerquen mucho a las llamas encendidas cuando levante una olla. No utilice toallas o cualquier otra tela voluminosa en lugar de los cojinetes que son especiales para agarrar cosas calientes.
- **Para minimizar la posibilidad de quemaduras,** el incendio de materiales inflamables y derrames, coloque los mangos hacia la parte de atrás de la estufa sin extenderlos sobre los quemadores al lado.
- **Siempre apague los quemadores superiores antes de quitar una cacerola.**
- **Mire con atención los alimentos que se fríen en llama alta.**

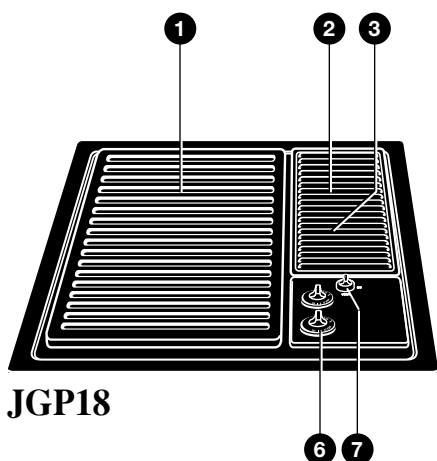


- **Los alimentos para freír deben estar tan secos como sea posible.** La escarcha sobre los alimentos congelados o la humedad sobre los alimentos frescos pueden provocar que la grasa caliente burbujee y escape por los lados del recipiente.
- **Use la cantidad mínima de grasa para freír con poco o bastante aceite de una manera más eficaz.** Llenar el recipiente de grasa demasiado puede causar salpicaduras al añadir alimentos.
- **Una combinación de aceites o grasa se usará al freír,** revuelva antes de calentar o mientras la grasa derrite lentamente.
- **Siempre caliente la grasa lentamente** y obsérvela cuando se calienta.
- **Use un termómetro para freír con bastante aceite cuando sea posible** para evitar sobrecalentar la grasa sobre el punto de humo.
- **Use el tamaño correcto de recipiente.** Evite usar los recipientes que no son estables o se vuelcan fácilmente. Seleccione los recipientes con fondo plano bastante grandes para contener el alimento y evitar las salpicaduras y derrames y bastante grandes para cubrir las parrillas de los quemadores. Esto ahorrará el tiempo de cocción e impedirá la acumulación peligrosa de alimentos; las salpicaduras dejadas o los derrames dejados sobre la estufa se pueden arder. Use recipientes con mangos que se pueden agarrar fácilmente y que se quedarán fríos.
- **Para evitar la posibilidad de una quemadura, siempre asegúrese de que los controles para todos los quemadores estén apagados y que todas las parrillas de los quemadores estén frías antes de tratar de quitarlas.**
- **Si la cubierta está cerca de una ventana,** no utilice cortinas largas que puedan moverse cerca de los quemadores y crear el peligro de un incendio.
- **Si huele a gas,** cierre la llave de paso del gas de la cubierta y llame a un técnico de servicio especializado. Nunca utilice una llama para localizar una fuga.
- **No cubra ni obstruya el área alrededor de las perillas de la cubierta.** Esta área debe mantenerse libre para que haya un funcionamiento adecuado de los quemadores y una ventilación apropiada.
- **Cocine muy bien todas las carnes,** incluyendo las carnes de aves; las carnes de res, por ejemplo, deben cocinarse a una temperatura interna de por lo menos 160 °F (71 °C) y las carnes de aves deben cocinarse a una temperatura interna de por lo menos 180 °F (82 °C). Por lo general, cocinar a estas temperaturas protege contra las enfermedades que se transmiten a través de los alimentos.
- **Cuando vaya a usar utensilios de vidrio para la cocina, asegúrese que estén diseñados para cocinar en la cubierta.**
- **Siempre use la posición de LITE (encendido) cuando encienda los quemadores y asegúrese de que éstos hayan encendido.**
- **No toque la rejilla y las áreas de los quemadores,** o el adorno del perímetro alrededor de la cubierta. Durante y después del uso, estas áreas pueden estar bastante calientes para causar quemaduras. Evite poner la ropa u otros materiales inflamables en contacto con estas áreas hasta que se hayan enfriado con tiempo suficiente.
- **No use recipientes sobre el área de la rejilla de esta cubierta.**
- **No caliente envases de comida sellados.** El envase se puede explotar debido a la presión y causar daños.
- **Mantenga todos los controles en “OFF” (apagado) cuando no se usa la cubierta.**
- **Siempre deje que los recipientes calientes se enfrien en un sitio donde los niños no pueden tomarlos.**
- **Se ha probado esta cubierta para rendimiento seguro usando recipientes convencionales. No use ningún aparato o accesorio que no esté específicamente recomendado en esta guía.** No use rejillas o cubiertas que se colocan arriba del quemador. El empleo de aparatos o accesorios que no estén específicamente recomendados en esta guía pueden ocasionar serios riesgos de seguridad, dar lugar a problemas en el funcionamiento y reducir el ciclo vital de las piezas.
- **No utilice papel aluminio para forrar la bandeja de aireación o el contenedor de los quemadores.** La restricción del flujo normal de aire puede dar como resultado un funcionamiento riesgoso.
- **Mantenga los plásticos alejados de todos los quemadores.**
- **No utilice una olla de fondo curvo en la superficie para cocinar si ésta tiene un anillo de metal redondo que se coloca sobre la parrilla del quemador para sostenerla.** Este anillo acumula el calor, lo cual puede dañar la parrilla y la cabeza del quemador. También puede ocasionar que el quemador no funcione correctamente. Esto puede causar un nivel de monóxido de carbono superior al permitido por los estándares actuales, dando como resultado daños a la salud.

**GUARDE ESTAS  
INSTRUCCIONES**

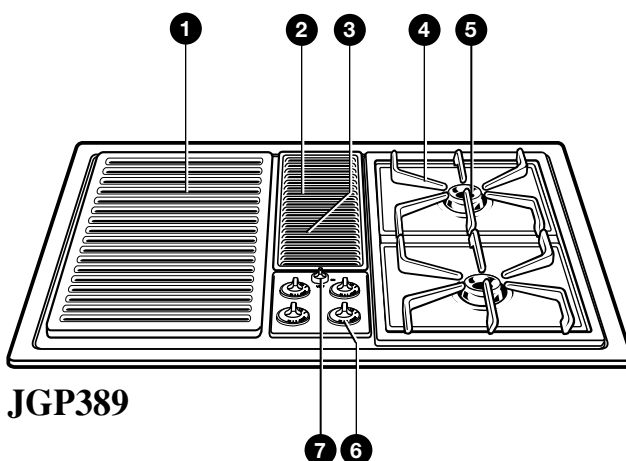


# CARACTERÍSTICAS DE SU CUBIERTA



**JGP18**

1. Módulo del asador (opcional en modelo JGP389)
2. Rejilla de ventilación (el ventilador funciona automáticamente cuando el asador está en uso)
3. Filtros de ventilación (al lado de la rejilla de ventilación)



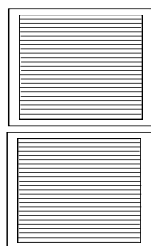
**JGP389**

4. Parrillas de los quemadores
5. Quemadores de la superficie
6. Controles de los quemadores de la superficie
7. Control de la rejilla de ventilación

## Accesorios

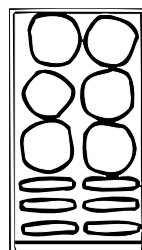
### Asador Modelo JXGG89

Consta de dos parrillas negras para asar y un quemador de asador.

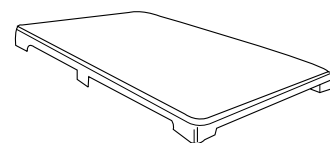


### Plancha Modelo JXGL89

Puede utilizarse únicamente con el módulo del asador. La plancha, con su sistema de auto-desfogue, facilita la preparación de mucha de su comida favorita. La superficie tamaño familiar le permite cocinar varios panqueques, hamburguesas o sandwiches a la parrilla al mismo tiempo.



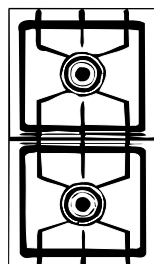
### Cubierta del asador Modelo JXGC89



Una atractiva cubierta para el asador lo protege cuando éste no se utiliza. Es de acero texturizado con asas moldeadas.

### Módulo de los quemadores de la superficie Modelo JXGB89

Incluye el montaje de los quemadores de la superficie, bandeja de aireación y dos parrillas para los quemadores de la superficie.



**NOTA:** El módulo de quemador de superficie opcional (JXGB89) puede reemplazar al quemador del asador. Tanto los quemadores que se suministran con la superficie de cocción (JGP389) como el módulo de persianas de ventilación opcional se han ajustado para que sean compatibles en ambos lados.





# QUEMADORES DE LA SUPERFICIE

(en algunos modelos)

## Ignición eléctrica

Sus quemadores se encienden por ignición eléctrica, eliminando así la necesidad de pilotos permanentes con llamas que estén encendidas de manera constante.

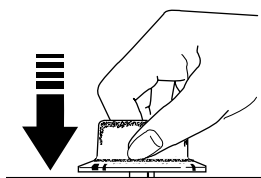
**En caso de una interrupción de la energía eléctrica**, puede encender los quemadores de su estufa con un cerillo. Acerque un cerillo encendido al quemador, y luego haga girar la perilla del quemador hasta la posición LITE (encender). **Tome precauciones extremas cuando encienda los quemadores de este modo.**

Los quemadores superiores que se estén usando cuando haya una interrupción de la energía eléctrica continuarán operando de manera normal.

EN CASO DE UNA FALLA ELECTRICA NO UTILICE LA PARRILLA. EL SISTEMA DE VENTILACION NO FUNCIONARA.

## Cómo encender un quemador

Presione la perilla de control y hágala girar hasta LITE (encender). Escuchará un pequeño chasquido—que es el sonido de la chispa eléctrica que enciende el quemador.



Después de encender el quemador, haga girar la perilla para ajustar el tamaño de la llama.

Para apagar un quemador, haga girar la perilla hacia la derecha, hasta que se detenga en la posición de OFF (apagado).

- No opere un quemador durante períodos de tiempo prolongados sin que haya un recipiente para cocinar sobre la parrilla del quemador. El acabado de la parrilla del quemador puede despostillarse si no hay una olla o una sartén que absorba el calor.
- Verifique para asegurarse de que el quemador que encendió sea el que quiere usar.
- Asegúrese de que los quemadores y parrillas de los quemadores estén fríos antes de colocar la mano, una agarradera, trapos de limpieza u otros materiales sobre ellos.
- Cuando utilice los quemadores de la superficie, si se encuentra que la posición de LO (bajo) es demasiado caliente para los alimentos delicados, se puede ajustar la perilla hasta una posición menor que la de LO (bajo).
- Únicamente pueden utilizarse los quemadores de la superficie que se encuentran en el lado derecho.
- No permita que las sartenes grandes sobrepasen el nivel de las perillas de control. El calor que queda atrapado entre las sartenes grandes y las perillas de control pueden causar daño a las perillas de control.

## Guía de cocina para utilizar los ajustes de calor

**HI (alto)**—Comienzo rápido para cocinar; lleva el agua hasta el punto de ebullición.

**Medium high (medio alto)**—[Se encuentra a la mitad entre la mitad y HI (alto)] Para freír rápidamente, calentar una sartén; mantiene un hervor rápido para grandes cantidades de comida.

**Medium (medio)**—[Se encuentra a la mitad entre HI (alto) y LO (bajo)] Salteado o tostado; mantiene un hervor lento para grandes cantidades de comida.

**Medium low (medio bajo)**—[Se encuentra a la mitad entre la mitad y LO (bajo)] Para cocinar después de haber comenzado en HI (alto); cocina con poca agua en una sartén o sirve para hervir o cocinar a fuego lento.

**LO (bajo)**—Arroz al vapor, cereal; mantiene la temperatura ideal para servir en la mayoría de las comidas. Es para cocinar a fuego lento y hervir a fuego lento.

### NOTA:

- En las temperaturas HI (alto) y media alta, nunca deje la comida sin vigilancia. Los sobrecalentamientos causan humo y los derrames grasosos pueden incendiarse.
- En las temperaturas media baja y LO (bajo), se derrite chocolate y mantequilla.





## Cocinar en ollas metálicas

Recomendamos que use sólo ollas con fondo plano. Se encuentran disponibles en la tienda de su localidad.

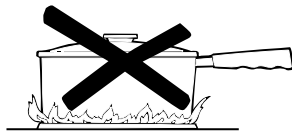


**No utilice ollas con arillos de soporte.** El uso de este tipo de ollas, con o sin el arillo en su lugar, puede ser peligroso. Si coloca el arillo sobre la parrilla del quemador, puede causar que el quemador trabaje de manera inadecuada produciendo niveles de monóxido de carbono superiores a los estándares actuales permitidos. Esto puede ser peligroso para su salud. No trate de usar dichas ollas sin el arillo. Podría sufrir quemaduras graves si la olla se voltea.



## Cómo elegir el tamaño de la llama

Observe la llama, no la perilla del quemador, a medida que reduce el calor. El tamaño de la llama en un quemador de gas debe adaptarse al tipo de recipiente que esté usando.



PARA UN MANEJO SEGURO DE LOS RECIPIENTES, NUNCA PERMITA QUE LA LLAMA SE EXTIENDA SOBRE LOS LADOS DEL RECIPIENTE. Cualquier llama que sea mayor que el fondo del recipiente se desperdicia y sólo sirve para calentar el mango.

**IMPORTANTE:** Deje un mínimo de 1/2" (38.1 mm) entre el borde de la sartén y las superficies circundantes, tales como las paredes laterales o la parte posterior de la cubierta (contracubierta), para permitir que salga el calor y evitar cualquier daño posible a estas áreas.

## Cacerolas para cocinar

**Aluminio:** Los recipientes de mediano peso se recomiendan porque se calientan rápido y parejo. La mayor parte de los alimentos se doran uniformemente en una sartén de aluminio. Utilice sartenes con tapas que ajusten bien cuando cocine con cantidades de agua mínimas.

**Hierro colado:** Si se calientan lentamente, la mayoría de las sartenes darán resultados satisfactorios.

**Recipientes esmaltados:** Bajo determinadas condiciones, el esmalte de algunos recipientes puede derretirse. Siga las recomendaciones del fabricante de los recipientes respecto a los métodos para cocinar.

**Vidrio:** Existen dos tipos de recipientes de vidrio para cocinar—aquéllos que sólo se usan en horno y los que sirven para cocinar en la parte superior de la estufa (sartenes, cafeteras y teteras). El vidrio conduce el calor con mucha lentitud.

**Cerámica de vidrio resistente al calor:** Puede usarse para cocinar sobre la estufa o en el horno. Conduce el calor muy lentamente y se enfría también con gran lentitud. Verifique las instrucciones del fabricante para asegurarse de que pueda usarse en estufas de gas.

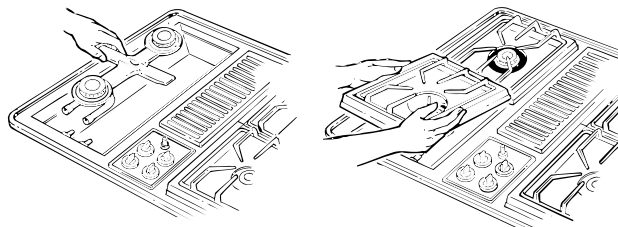
**Acero inoxidable:** Este metal por sí solo es un mal conductor de calor y por lo general se combina con cobre, aluminio u otros metales para mejorar la distribución de calor. Las sartenes de metales combinados casi siempre funcionan de manera satisfactoria a calor medio, como lo recomienda el fabricante.



## MODULO DE LOS QUEMADORES DE LA SUPERFICIE

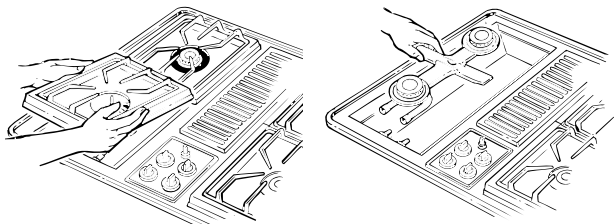
### Para instalar el módulo de los quemadores

1. Asegúrese que todas las perillas de control estén en posición de apagado.
2. Si las parrillas de los quemadores del asador están puestas, quítelas antes de instalar el módulo de los quemadores de la superficie. Limpie el contenedor de los quemadores de cualquier grasa acumulada. Vea la sección de Cuidado y limpieza.
3. Coloque el montaje de los quemadores con las aberturas del tubo mezclador vueltas hacia los orificios. Deslice el ensamble de los quemadores hacia los orificios hasta que la abertura para el piloto quede sobre el piloto. Muévelo hacia abajo para colocarlo en su lugar hasta que las aberturas laterales descansen en los soportes de los quemadores y el piloto quede en el centro de los dos tubos de encendido.
4. Instale la bandeja de aireación insertando la punta al final en el extremo del contenedor de los quemadores y baje el extremo opuesto para colocarlo en la cubierta.



**NOTA:** El módulo de quemador de superficie opcional (JXGB89) puede reemplazar al quemador del asador. Tanto los quemadores que se suministran con la superficie de cocción (JGP389) como el módulo de persianas de ventilación opcional se han ajustado para que sean compatibles en ambos lados.

### Para quitar el módulo de los quemadores



1. Las perillas de control deberán estar en la posición de OFF (apagado) y la cubierta deberá estar fría.
2. Quite la bandeja de aireación levantando el extremo delantero por el lado derecho (el extremo posterior debe levantarse por el lado izquierdo) hasta que la parte superior despeje la abertura de la cubierta por lo menos 5 pulgadas (127 mm).
3. Sostenga la bandeja de aireación por ambos lados y deslícela alejándola para sacar la punta de inserción de la abertura y despejar los quemadores de la superficie.

4. Levante los lados del soporte del montaje de los quemadores de la superficie alrededor de 2 pulgadas (50.8 mm). Deslícelo alejándolo de los orificios.

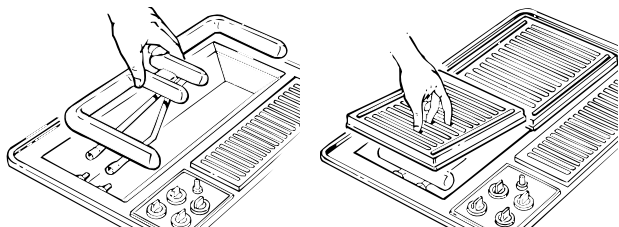
**NOTA:** Si tiene una cubierta JGP389, puede comprar otro módulo de 2 quemadores, modelo JXGB89. Este módulo está ajustado especialmente para utilizarse únicamente en el lado izquierdo. Podrá notar que la comida se cocina un poco más despacio en este módulo. Esto se debe a que la salida de calor se ha reducido para obtener mejores resultados al cocinar en el asador.

# MODULO DEL ASADOR



El asador consta de dos parrillas negras para asar y un quemador para asar. Instale la parrilla únicamente del lado izquierdo de su cubierta.

## Para instalar el módulo del asador

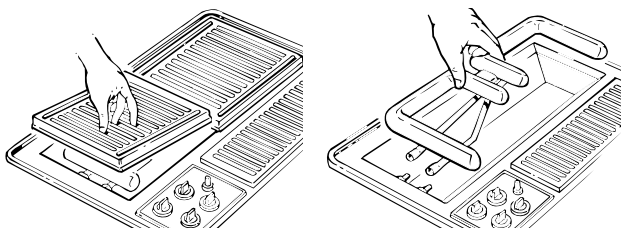


1. Para instalar los componentes del asador, asegúrese de que las perillas de control estén en la posición de OFF (apagado).
2. Coloque el quemador del asador con las aberturas del tubo mezclador hacia los orificios. Deslice el quemador hacia los orificios hasta que el piloto quede en medio de las secciones delantera y trasera del asador. Muévelo hacia abajo y colóquelo en su lugar hasta que las aberturas laterales descansan en las entradas de los soportes de los quemadores.

3. Coloque las parrillas del asador en la parte superior de la cubierta.

**NOTA:** Antes de utilizar el asador por primera vez, caliente el quemador del asador para quitar la cubierta protectora con que viene de fábrica para su envío. Caliente el asador en HI (alto) durante 10 minutos y utilice el sistema de ventilación para quitar cualquier humo adicional durante el enfriamiento.

## Para quitar el módulo del asador



1. Quite los componentes del asador una vez que se hayan enfriado. Asegúrese de que las perillas de control estén en la posición de OFF (apagado).
2. Quite las parrillas del asador.
3. Quite los quemadores del asador.



## PARA ASAR

### Cómo utilizar el asador

- **El ventilador del respiradero funcionará automáticamente cuando el quemador del asador esté en uso.**
- Antes de utilizar el asador por primera vez, lave las parrillas del asador con agua caliente jabonosa. Enjuague y seque.
- Acondicione las parrillas untándoles aceite vegetal con una brocha o rocíeles una capa de aceite que no sea pegajosa, por ejemplo use el de la marca Pam®. Haga eso cada vez antes de asar.
- Para una limpieza más fácil, rocíe las parrillas y el contenedor de los quemadores con una capa no pegajosa.
- **Utilice espátulas o utensilios que no sean de metal para evitar que se dañe el acabado de la parrilla del asador que tiene una cubierta de teflón.**
- Precaliente el asador en alto de 5 a 10 minutos. Al precalentar se mejora el sabor y apariencia de las carnes y se tuesta rápidamente la carne ayudando de este modo a que retenga su jugo.
- **Las cantidades excesivas de grasa deberán cortarse ligeramente de las carnes.** Un poco de grasa es necesaria para producir el humo necesario para obtener ese sabor ahumado “al aire libre.” Sin embargo, la grasa excesiva puede crear problemas de limpieza y llamaradas.
- El permitir que haya cantidades excesivas de grasa o que se queme la que se chorrea, anula la garantía de las parrillas del asador. Las llamaradas excesivas indican, ya sea que el interior necesita limpiarse, que la carne tiene demasiada grasa o que la carne no fue preparada adecuadamente.
- Al chorrearse la grasa, en ocasiones ésta se incendiará y despedirá aire o fuego por un segundo o dos. Esto es una parte normal del proceso de cocción.
- **Nunca deje sin vigilancia el asador cuando esté funcionando.**

#### IMPORTANTE:

- No utilice papel aluminio dentro del área del asador.
- No utilice trozos de madera o carbón dentro del área del asador.
- No permita que el contenedor del quemador se sobrecargue de grasa. Límpielo siempre después de usarlo.
- No cubra las parrillas completamente con la carne. Deje espacio para que circule aire entre cada trozo de carne, etc., para permitir una ventilación adecuada, así como para prevenir llamaradas.

### Si surgiera una llamada constante

1. Utilice el control de ventilación para encender el ventilador.
2. Haga girar las perillas de control del asador hasta la posición de OFF (apagado) de inmediato.
3. Quite la carne del asador.

### Consejos para asar

Con su asador, cualquier comida que haya considerado “de lo mejor” cuando se prepara al aire libre, ahora puede prepararse dentro de la casa con menos ajeteo y con un magnífico sabor.

Las siguientes sugerencias son buenas reglas a seguir e incrementarán el placer de disfrutar de su equipo. Asegúrese de seguir las instrucciones de este manual en lo que se refiere al uso del asador.

Los tiempos de cocción y los ajustes de control sugeridos son aproximados debido a las variaciones en los tipos de carnes. La experiencia pronto le indicará los tiempos de cocción adecuados y también en qué ajustes funciona mejor.

Para mejores resultados compre siempre carne de la mejor calidad. Las carnes de por lo menos 3/4 de pulgada (19.1 mm) se asarán mejor que las de corte más delgado.

Para que la carne se vea atractivamente “de calidad,” asegúrese de que el asador esté precalentado. Permita que un lado de la carne se cocine hasta el punto deseado, o hasta que los jugos aparezcan en la superficie, antes de voltearla. Voltee los bistecs y las hamburguesas solamente una vez. El estar moviendo la comida origina la pérdida de sus jugos.

Al rociar la carne o aplicar salsas a la comida, recuerde que las cantidades excesivas se acumulan dentro de su asador y no mejoran el sabor de la comida. Aplique las salsas durante los últimos 15 a 20 minutos de cocción a menos que la receta lo especifique de otro modo. Marinar a base de azúcar (salsa de barbacoa, por ejemplo) origina que se forme caramelo en las parrillas del asador y esto creará grandes problemas en el momento de limpiarlas.

Hay muchas formas de marinar la carne, las cuales ayudarán a ablandar cortes de carne menos caros para cocinarlos en el asador.

Ciertos alimentos, tales como el pescado no grasoso y aves, pueden necesitar algo de grasa extra. Unteles aceite o mantequilla derretida ocasionalmente mientras los asa.

Utilice pinzas de mango largo o espátulas para voltear las carnes. No utilice tenedores ya que éstos rasgan la carne, permitiendo que se pierdan los jugos.

Para ayudar a retener los jugos de la carne, póngale sal después de voltear la carne o una vez que ya esté cocida.

Corte la grasa de los bordes de los bistecs pero no corte la carne para evitar que se arrollen durante la cocción.

# GUIA PARA ASAR



Precalente el asador en alto de 5 a 10 minutos para obtener un mejor sabor.

Tipo	Ajuste de control	Tiempo de cocción	Procedimiento
<b>Carne</b>			
Bistec [1/2 a 3/4" (12.7 a 19.1 mm)]			
Poco cocido	HI (alto)	6 a 10 minutos	Voltee después 3 a 5 minutos.†
Medio cocido	HI (alto)	10 a 16 minutos	Voltee después 5 a 8 minutos.
Bien cocido	HI (alto)	21 a 24 minutos	Voltee después 6 a 12 minutos.
Bistec [1-1/4" (31.7 mm)]			
Poco cocido	HI (alto)	14 a 24 minutos	Voltee después 7 a 12 minutos.†
Medio cocido	HI (alto)	18 a 30 minutos	Voltee después 9 a 15 minutos.
Bien cocido	HI (alto)	24 a 34 minutos	Voltee después 12 a 17 minutos.
Hamburguesas [3 a 4 oz. [85 a 113 gr]]	Medio	20 a 25 minutos	Voltee a la mitad del tiempo.
Chuleta de puerco	Medio	20 a 30 minutos	Voltee ocasionalmente.
Chuletas ahumadas de puerco ya cocidas	Medio	10 a 15 minutos	Voltee a la mitad del tiempo.
Rebanadas de jamón	Medio	15 a 20 minutos	Voltee ocasionalmente. Unteles salsa de barbacoa durante los últimos 15 minutos.
Costillas de puerco	Medio	50 a 65 minutos	
Salchihias ya cocidas			
Perritos calientes, marinas	HI (alto)	7 a 12 minutos	Voltee ocasionalmente.
Salchichón polaco	HI (alto)	13 a 16 minutos	Voltee ocasionalmente.
Salchichas frescas			
Salchichón	Medio	15 a 25 minutos	Voltee ocasionalmente.
Empanadas [3" diameter (76.2 mm)]	Medio	15 a 20 minutos	Voltee a la mitad del tiempo.
Salchicha italiana	Medio	25 a 30 minutos	Pique la cubierta con un tenedor. Voltee una sola vez.
Chuletas de cordero	Medio	20 a 30 minutos	Voltee ocasionalmente. Barnícelo si lo desea.
<b>Aves</b>			
Pollo			
Piezas: con hueso	Medio	35 a 50 minutos	Voltee ocasionalmente.
Pechugas sin hueso	Medio	25 a 35 minutos	Voltee ocasionalmente.
Alas	Medio	25 a 35 minutos	Voltee ocasionalmente.
Gallina inglesa (mitad)	Medio	35 a 45 minutos	Voltee ocasionalmente.
<b>Pescado</b>			
Pequeño, entero [1" (25.4 cm)]	Medio	15 a 20 minutos	Untele mantequilla. Voltee a la mitad del tiempo.
Bistecs [1" (25.4 cm)]	Medio	20 a 25 minutos	Untele mantequilla. Voltee a la mitad del tiempo.
Filetes—con piel [1/2" (12.7 cm)]	Medio	10 a 15 minutos	Comience con la parte de la piel hacia abajo. Untele mantequilla. Voltee a la mitad del tiempo.
Camarones (brochetas)	Medio	10 a 20 minutos	Voltee y únteles mantequilla o marínelos frecuentemente.
<b>Pan</b>			
Pan con ajo	Medio	4 a 6 minutos	Voltee a la mitad del tiempo.
Pan para hamburguesas o perritos calientes	Medio	1 a 2 minutos	Voltee a la mitad del tiempo.

†El Departamento de Agricultura de los Estados Unidos de América dice que: "La carne poco cocida es muy popular, pero debe saber que cocinarla a solamente 140 °F (60 °C) significa que algunos organismos venenosos de la comida pueden sobrevivir." (Fuente: Libro de Comida Segura. Su Guía de Cocina. USDA Rev. Junio 1985.)



## CUBIERTA DEL ASADOR

La cubierta del asador de acero texturizado es atractiva para la sección del asador de la cubierta cuando no está en uso.

### Para utilizar la cubierta del asador

Quite la cubierta antes de calentar el asador. Puesto que la cubierta del asador no parece estar caliente, esto podría causar quemaduras accidentales en caso de que usted o alguien la toque. El hecho de calentar la cubierta del asador puede dañar el acabado.

No ponga la cubierta del asador sobre un asador caliente. Deje que el asador se enfríe antes de volver a poner la cubierta en su lugar.

Utilice la cubierta únicamente sobre las parrillas del asador. No la ponga en la plancha para asar o en las parrillas de los quemadores de la superficie.

**IMPORTANTE:** Aunque el acabado es muy durable, debe tenerse en cuidado de evitar colocar utensilios u otros objetos en la superficie que puedan rayarla.

**NO ponga recipientes extremadamente calientes en la superficie,** incluyendo asas, ya que éstas pueden estropear o decolorar la cubierta. Es una cubierta atractiva y un cuidado apropiado la mantendrá de esta manera.

## ACCESORIOS DE LA PARRILLA

### Cómo utilizar la cubierta de la parrilla

1. Antes de utilizarla por primera vez, lave la parrilla nueva en agua caliente jabonosa, enjuague y seque. Entonces “acondicione o cure” la superficie untándole una capa delgada de aceite para cocinar o manteca. Quite el exceso de aceite o manteca limpiándolo con una toalla de papel.
2. Inserte el quemador del asador. NO utilice las parrillas del asador.
3. Coloque la plancha para asar sobre el quemador del asador de forma que los orificios de drenaje queden hacia el frente. Esto permitirá que el exceso de grasa se deposite en la charola grasera.
4. Precaliente la plancha de 5 a 10 minutos a la temperatura especificada como lo muestra la Guía de la plancha para asar.
5. Utilice espátulas o utensilios que no sean de metal mientras cocina, para evitar daños al acabado.

## GUIA DE LA HORNILLA

**NOTA:** Estas son guías sugeridas para los ajustes de control y tiempos. Hay factores, como la baja presión del gas, que pueden afectar los tiempos y ajustes de

control que proporcionan los mejores resultados. Precaliente 5 a 10 minutos al ajuste indicado.

Tipo de alimento	Ajuste de control	Tiempo de cocción aproximado para el primer lado	Tiempo de cocción aproximado para el segundo lado
Tocino	Medio	4 a 5 minutos	3 a 4 minutos
Buñuelos	HI (alto)	2 a 3 minutos	
Huevos	Medio	2 a 3 minutos	1 minuto
Dedos de pescado (congelados)	Medio	7 a 8 minutos	5 a 7 minutos
Rebanada de jamón	Medio	6 a 7 minutos	5 a 6 minutos
Hamburguesas	Medio	5 a 7 minutos	4 a 6 minutos
Perritos calientes	HI (alto)	5 minutos	5 minutos
Tostado francés	HI (alto)	2 a 4 minutos	2 a 3 minutos
Sandwiches de queso fundido	HI (alto)	2 a 3 minutos	2 a 3 minutos
Panqueques	HI (alto)	1 a 2 minutos	1 a 2 minutos
Empanadas de salchicha	Medio	6 a 8 minutos	4 a 5 minutos

# SISTEMA DE VENTILACION



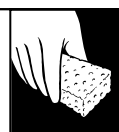
El sistema de ventilación integrado ayuda a quitar los vapores al cocinar, los olores y el humo de los alimentos que son preparados en los accesorios de la cubierta, asador u hornilla. El uso continuo del sistema de ventilación ayuda a mantener la cocina más cómoda y menos húmeda, reduciendo los olores al cocinar y la humedad que por lo general crea una necesidad frecuente de estar limpiando.

## Cómo utilizar el sistema de ventilación

Para encender el ventilador, utilice el control de encendido/apagado que está localizado en el panel de control.

El ventilador funcionará automáticamente cuando el quemador del asador esté en uso.

# CUIDADO Y LIMPIEZA



Antes de limpiar cualquier parte de su cubierta, asegúrese de que todos los controles estén apagados y **DESCONECTE LA ENERGIA ELECTRICA DE LA CUBIERTA** en la caja de fusibles o en el panel principal del interruptor del circuito de suministro de corriente, o quite la clavija de la cubierta de la toma de corriente localizada debajo de la cubierta y dentro de los gabinetes.

No opere la cubierta sin que estén colocadas todas las partes.

## Perillas de control y sello del panel de control

Después de asar, las perillas y el sello del control pueden tener hollín sobre ellos. Se lo puede quitar restregando con una fibra de plástico y detergente suave de lavavajillas. Las perillas de control pueden quitarse para limpiarlas.

**Para quitar una perilla, tire de ésta derecho hacia arriba.**

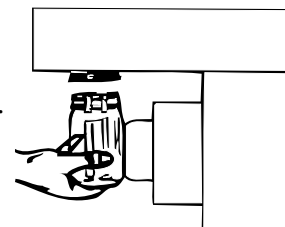
Lave las perillas con agua y jabón pero no las empape. Evite que se meta agua en los orificios de las perillas que embonan en la cubierta.

Limpie con una esponja, paño húmedo o toalla de papel. No talle con fibra de acero ni con limpiadores abrasivos.

Para reemplazar una perilla, corresponda la parte plana de la abertura de la perilla con el lado plano del eje.

## Recipiente para grasa

Hay un recipiente para grasa que está localizado bajo el contenedor del asador, debajo de la mesa de trabajo. Revise periódicamente para evitar que se derrame. Desatornille y quítelo. Si se rompe el recipiente, cámbielo por cualquier recipiente templado al calor, por ejemplo frascos que tengan una rosca estándar.



## Cubierta de porcelana

El acabado de porcelana esmaltada es resistente, pero puede romperse debido a un mal uso. El acabado es resistente a los ácidos. Sin embargo, cualquier tipo de alimentos ácidos que se derramen (como zumos de fruta, jitomate o vinagre) no debe dejarse mucho tiempo sobre el acabado. **Si se derraman ácidos sobre la cubierta cuando está caliente**, use una toalla de papel seca para limpiar de inmediato.

Cuando la superficie se haya enfriado, lave con jabón y agua o con polvos limpiadores. Enjuague bien. **Para otro tipo de derrames, como son las salpicaduras de grasa**, lave con jabón y agua o con polvos para limpiar una vez que la superficie esté fría. Pula con una tela seca.

(continúa en la página siguiente)

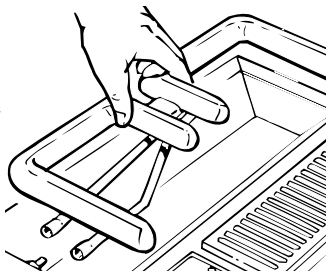


# CUIDADO Y LIMPIEZA

(continuación)

## Quemador del asador

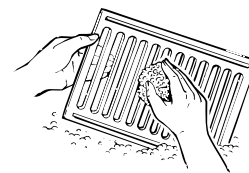
El quemador del asador deberá limpiarse siempre después de usarse. Puede limpiarse con una fibra de lana de acero o en la lavavajillas. Enjuague y seque perfectamente bien antes de volver a utilizarlo. Para manchas muy pegadas, primero deberá limpiarse el quemador con una fibra de acero remojada en agua jabonosa, enjuagada y secada. Entonces puede ponerse en un horno de autolimpieza durante dos horas.



**NOTA:** Revise que todos los puertos de los quemadores estén abiertos. Para abrir puertos que estén obstruidos, meta un alambre delgado directamente en cada puerto.

## Parrillas del asador

El quemador de la parrilla debe limpiarse después de usarse. Puede limpiarse con detergente y una fibra de plástico, como Tuffy, o lavarse en la lavavajillas si primero se le quitan los residuos quemados. Para manchas muy adheridas, las parrillas pueden meterse en agua jabonosa caliente a la que se haya añadido amoníaco casero.



**No utilice cepillos de metal o fibras de limpieza abrasivas u otras fibras que sean para limpiar parrillas que están en el exterior. Este tipo de fibras quitarán el acabado y también rayarán las parrillas. No se limpie en un horno de autolimpieza ni use limpiadores para horno en las parrillas.**

## Cubierta del asador

La cubierta del asador puede limpiarse fácilmente con una tela húmeda y detergente suave o limpiador líquido casero. Enjuague y seque perfectamente bien.

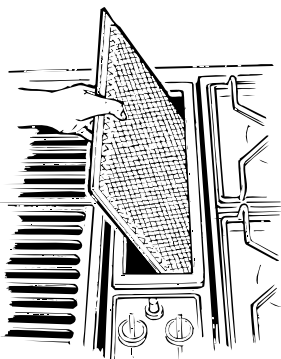
**NO se lave en la lavavajillas.**

## Sistema de ventilación

### Rejilla de ventilación:

La rejilla de ventilación puede levantarse fácilmente. Límpiela con un paño o lávela en el fregadero con detergentes caseros suaves.

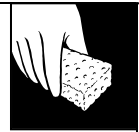
**Filtro:** Apague el ventilador antes de quitarlo. Haga girar la abrazadera de presión que detiene al filtro para así poder quitarlo. El filtro es del tipo permanente y deberá limpiarse cuando se ensucie. Lávelo en el fregadero con agua tibia y detergente líquido de lavavajillas.



**IMPORTANTE:** No haga funcionar el ventilador sin el filtro. El filtro siempre debe colocarse en un ángulo. Estando usted de frente a la cubierta, la parte superior del filtro debe descansar en la parte izquierda de la abertura de ventilación y la parte inferior del filtro deberá descansar en la parte derecha de la cámara de ventilación al fondo. Si el filtro está plano pegado a la pared del ventilador, la efectividad de la ventilación se reduce.

**Cámara de ventilación:** Esta área, que guarda el filtro, debe limpiarse en caso de algún derrame o siempre que se cubra con una capa de grasa. La cámara de ventilación puede limpiarse con una toalla de papel, paño húmedo o esponja y un detergente o limpiador suave casero.





## Pilotos

Es importante mantener las aberturas de los pilotos de los quemadores libres y sin ninguna obstrucción para evitar que falle el encendido y que se concentre el gas. Si se obstruyen las aberturas de los puertos de los pilotos, utilice un alambre delgado para quitar las partículas de comida.

El tubo y la tapa del piloto pueden limpiarse con agua tibia jabonosa y una fibra de plástico. El cable del electrodo dentro del casquillo aislante puede limpiarse con un cepillo pequeño. Enjuague y seque.

## Accesorios de la plancha para asar

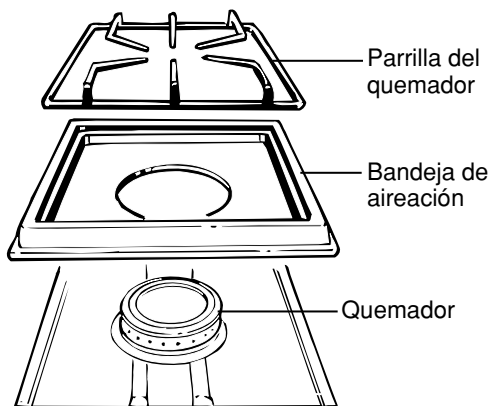
### NO sumerja una plancha caliente en agua fría.

Una vez que se haya enfriado la plancha, lave con jabón o detergente en agua caliente en el fregadero. Asegúrese de quitar todos los residuos de comida antes de volver a cocinar en la plancha.

Quite los puntos difíciles con una fibra de plástico. Para obtener mejores resultados, utilice únicamente aquellos productos de limpieza recomendados para limpiar superficies de teflón. No utilice fibras de acero o fibras ásperas.

**NO se lave en la lavavajillas.**

## Quemadores de la superficie



**Debe limpiar de manera rutinaria los quemadores de la superficie, en especial después de derrames grandes que pueden obturar esos agujeros.** Limpie con un paño los quemadores de la superficie. Si hay un derrame muy fuerte, retire los quemadores de la superficie que están en la cubierta. Los quemadores se levantan para su limpieza.

**Para quitar la comida quemada,** remoje el quemador de la superficie en una solución de detergente líquido suave y agua caliente. Remoje el quemador de la superficie durante 20 ó 30 minutos. Para manchas más resistentes, utilice un limpiador de las marcas Soft Scrub®, o Bon Ami®. **Enjuague bien para quitar cualquier rastro del limpiador que pudiera obstruir las aberturas de los quemadores de la superficie.** No utilice fibra metálica ya que puede tapan las aberturas de los quemadores de la superficie y rayarlos. **Si los agujeros se tapan, límpielos con una aguja de coser o con un alambre delgado.**

**Antes de volver a colocar** el quemador de la superficie, sacuda el exceso de agua y luego seque completamente. Luego vuelva a colocar de nuevo en la cubierta, asegurándose de que esté correctamente asentado y nivelado.

Revise el patrón de la llama para cada quemador. Si las llamas “saltan,” es decir, no son constantes, limpie de nuevo los agujeros con una aguja de coser o con un alambre delgado.

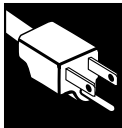
## Contenedor de porcelana de los quemadores

Esta área está localizada debajo del asador y de los quemadores de la superficie y deberán limpiarse después de cada uso del asador.

Para quitar las manchas suaves, limpie con agua jabonosa o con un limpiador como el 409. Para una fácil limpieza, empape toallas de papel en un limpiador casero, póngalos en el tazón de los quemadores y deje que se empapen por lo menos media hora o más.

Para quitar manchas moderadas, talle con Comet, Bon Ami, una fibra suave o de plástico.

Para quitar manchas difíciles, rocíe con un limpiador de hornos. Deje reposar toda la noche. Limpie, enjuague y seque.



# INSTRUCCIONES DE INSTALACION

## ANTES DE COMENZAR

Lea completamente estas instrucciones y con cuidado.

**IMPORTANTE—OBSERVE TODOS LOS CODIGOS Y ESTATUTOS VIGENTES.**

**NOTA PARA EL TECNICO INSTALADOR:**  
Asegúrese de dejarle estas instrucciones al consumidor.

## LISTA DE PARTES

- Unidad de base de la cubierta de gas
- Paquete de literatura
- 1 ensamblaje de quemador de superficie
- 2 parrillas de los quemadores
- 1 filtro de aire
- 1 rejilla de aire
- 1 recipiente para grasa
- Equipo para conversión a gas LP (asegurado con cinta al área debajo de la cubierta)

## HERRAMIENTAS Y PARTES NECESARIAS

- Destornillador largo de punta plana
- Serrucho
- Escuadra de carpintero
- Llave para cortar tubos
- Llave de boca de 7/16"
- Llave de paso para gas
- Sellador para las juntas de la tubería que resista la actividad del gas LP

**Para conexiones flexibles donde los códigos locales lo permitan:**

- Tubería de metal flexible [de diámetro interior igual a la línea de abastecimiento de gas de 3/4" o 1/2" (19.1 mm o 12.7 mm)].
- Adaptador cónico de la unión para conectarlo a la línea de abastecimiento [3/4" medida estándar (NPT) x 3/4" de diámetro interno, o 1/2" medida estándar (NPT) x 1/2" de diámetro interno] (19.1 mm x 19.1 mm o 12.7 mm x 12.7 mm).
- Adaptador cónico de la unión para conectarlo al regulador [1/2" medida estándar (NPT) x 3/4" de diámetro interno o 1/2" de diámetro interno] (12.7 mm x 19.1 mm o 12.7 mm).

**Para conexiones rígidas:**

- Piezas de conexión de la tubería según se requiera.

## INSTRUCCIONES IMPORTANTES DE SEGURIDAD

La cubierta es un diseño que ha sido certificado por la Asociación Norteamericana de Gas. Como sucede con cualquier aparato que utilice gas y genere calor, hay ciertas precauciones de seguridad que debe seguir. Encontrará estas precauciones en su Guía de uso y cuidado. Léala con cuidado.

- Asegúrese de que su cubierta sea instalada adecuadamente por un técnico calificado o un técnico en servicio.
- La cubierta debe tener conexión a tierra de acuerdo con los códigos locales, o en ausencia de éstos, con el Código Eléctrico Nacional ANSI/NFPA No. 70—última edición.
- La instalación de esta cubierta debe realizarse de acuerdo con los códigos locales, o en la ausencia de códigos locales, con el Código de Gas Combustible Nacional. ANSI Z223.1—última edición.
- Desconecte el suministro eléctrico antes de dar servicio al aparato.
- Asegúrese de que los recubrimientos de las paredes que están alrededor de la cubierta resistan el calor generado por la cubierta hasta 200 °F (93.33 °C).
- Si los gabinetes están colocados arriba de la cubierta, deje una distancia mínima de 30" (762 mm) entre la superficie para cocinar y la parte de abajo de los gabinetes que están protegidos.
- Proteja la parte de abajo de los gabinetes que se encuentran en la parte superior de la cubierta con no menos de 1/4" (6.35 mm) de hoja retardante y aislante a las llamas, cubierta con una hoja de metal de un grosor no menor que 0.0122" (.31 mm).
- La distancia entre la superficie para cocinar y los gabinetes protegidos **NUNCA DEBE SER MENOR QUE 30 PULGADAS (762 mm)**. La distancia vertical desde la superficie para cocinar hasta la parte inferior de los gabinetes adyacentes superiores que se extienden más de 2" (5.08 cm) a los lados del plano de la cubierta no debe ser menor de 18" (457.2 mm). (Vea la ilustración de Dimensiones y Espacios en esta sección.)



## PREPARANDOSE PARA LA INSTALACION

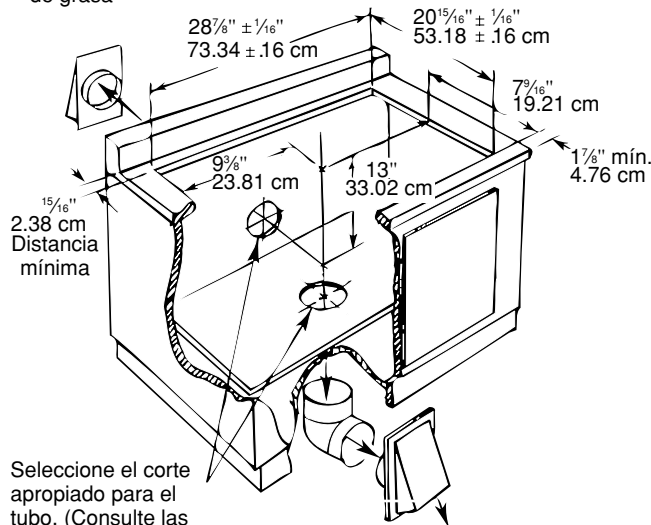
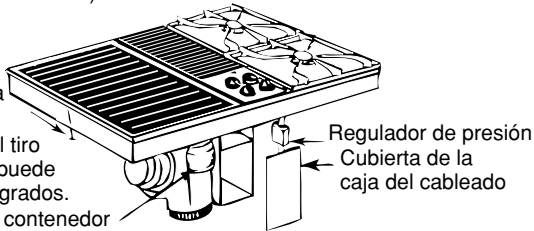
### JGP389

(Unidad de doble tiro)

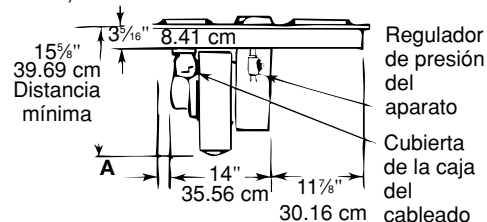
Apriete los pernos que están en cada extremo

\*La unidad del tiro descendente puede girarse de 90 grados.

Recipiente contenedor de grasa



Seleccione el corte apropiado para el tubo. (Consulte las instrucciones de instalación de la tubería.)



\*El tiro puede hacerse girar en dirección horizontal o vertical al aflojar las tuercas que se encuentran alrededor de la entrada del tiro. Dentro existe una cámara de ventilación accesible.

## PREPARANDOSE PARA LA INSTALACION

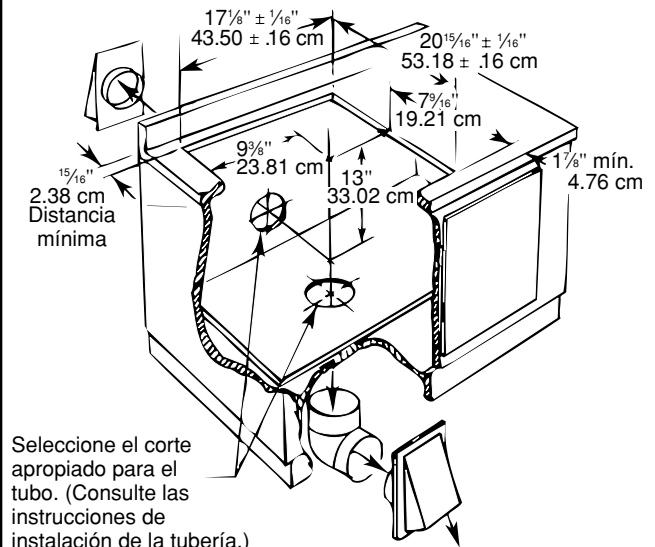
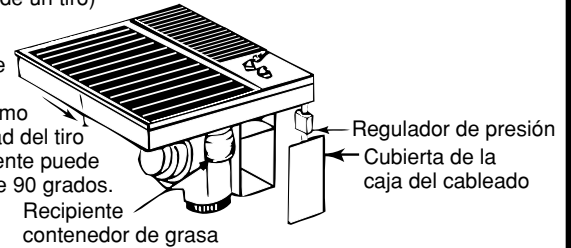
### JGP18

(Unidad de un tiro)

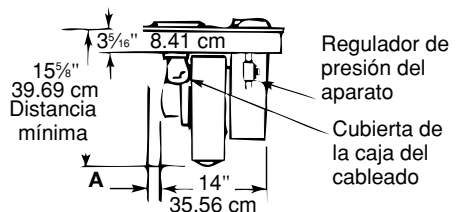
Apriete los pernos que están en cada extremo

\*La unidad del tiro descendente puede girarse de 90 grados.

Recipiente contenedor de grasa



Seleccione el corte apropiado para el tubo. (Consulte las instrucciones de instalación de la tubería.)



\*El tiro puede hacerse girar en dirección horizontal o vertical al aflojar las tuercas que se encuentran alrededor de la entrada del tiro. Dentro existe una cámara de ventilación accesible.

## IMPORTANTE

La Dimensión "A"—Proporciona 2" mínimo (5.08 cm) de distancia entre el gabinete y el motor destinado al enfriamiento.

**NOTA:** Donde sea posible, se recomiendan 6" (15.24 cm) para el servicio del motor/extractor.

Distancia lateral—Los asadores instalados cerca de una pared **deben tener una distancia de 6" (15.24 cm)** para el mejor funcionamiento de ventilación, pero pueden instalarse con seguridad a una distancia de hasta 2" (5.08 cm) de una pared si esto es necesario debido a una limitación de espacio.

Debe permitirse que haya espacio suficiente para poder quitar y vaciar el recipiente para grasa.

**PRECAUCION:** La garantía es nula cuando el equipo se instala de manera diferente a la recomendada por el fabricante. Deben utilizarse las protecciones para cables de la pared y los cables recomendados para un funcionamiento e instalación apropiados.

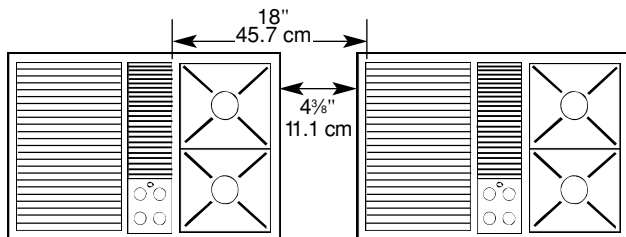


# INSTRUCCIONES DE INSTALACION

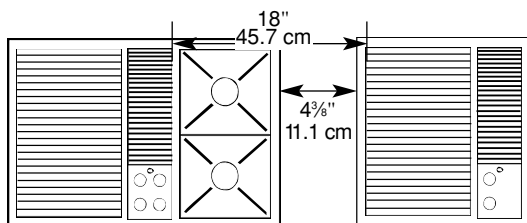
(continuación)

## ESPACIO MINIMO REQUERIDO

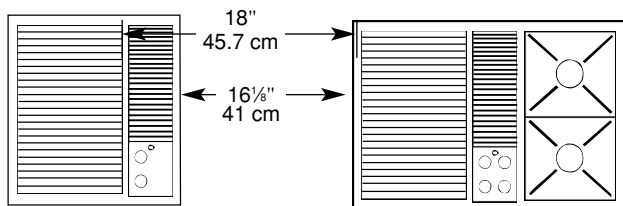
Cuando instale una Cubierta de doble unidad de tiro en combinación con otra Cubierta con tiro, conserve entre las unidades el espacio mínimo que se muestra. El instalarlas demasiado cerca afectará su funcionamiento.



Unidad de doble tiro      Unidad de doble tiro



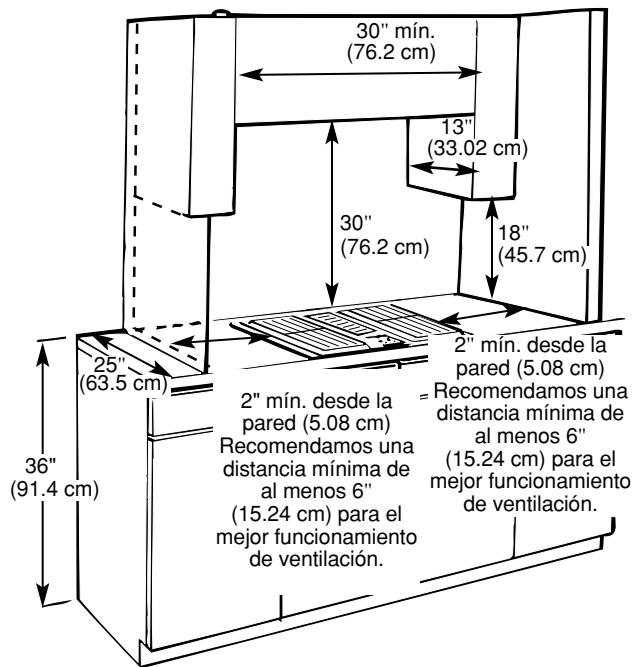
Unidad de doble tiro      Unidad de un tiro



Unidad de un tiro      Unidad de doble tiro

## PASO 1

### COMO INSTALAR LOS GABINETES EN LA PARTE SUPERIOR DE SU CUBIERTA.



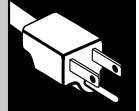
Si es posible, evite colocar gabinetes sobre la unidad de la cubierta, para reducir así los peligros que se originan cuando hay que tomar algo que esté en un gabinete, pasando el brazo sobre las unidades de la superficie que están calientes.

Si los gabinetes se instalan en la parte superior de la cubierta, deje una distancia mínima de 30" (762 mm) entre la superficie para cocinar y la parte de abajo del gabinete que no está protegido.

Se debe instalar un material no combustible en la parte de abajo del gabinete. Utilice una cubierta retardante a las llamas por lo menos de 1/4" (6.35 mm) de ancho o una tabla de yeso por lo menos de 3/16" (47.62 mm) recubierta con una hoja de acero de calibre 28 o de cobre de 0.020" (0.508 mm) de ancho. La profundidad máxima de los gabinetes en la parte superior de la cubierta es de 13 pulgadas (330.2 mm).

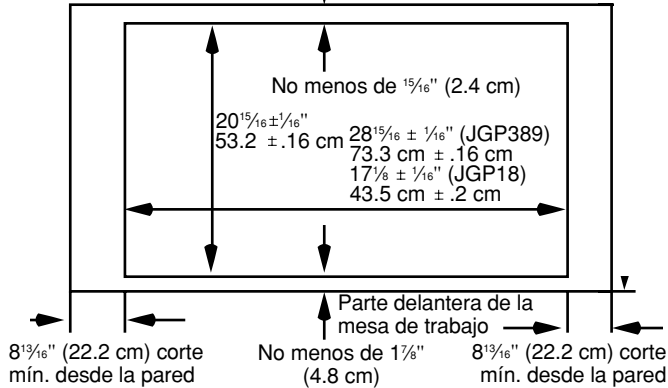
**EXCEPCION:** La instalación de un horno de microondas o de otro aparato para cocinar sobre la cubierta debe estar en conformidad con las instrucciones de instalación que estén incluidas en el aparato.

Las áreas de trabajo adyacentes a la cubierta deberán tener una distancia mínima de 18" (457.2 mm) entre la cubierta y la parte de abajo de los gabinetes. Si la distancia es menor de 18" (457.2 mm), los gabinetes adyacentes deberán estar por lo menos a 2" (5.08 cm) de los lados de la cubierta.



## PASO 2 PREPARACION DE LA SUPERFICIE DE TRABAJO

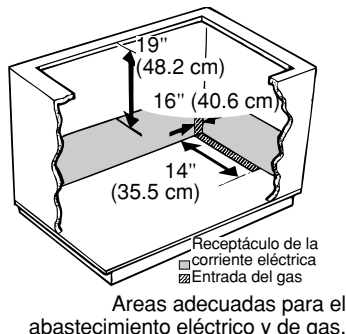
Dimensiones exteriores a las que deberá cortarse la mesa de trabajo. Parte trasera de la mesa de trabajo



Corte la abertura como lo muestra el diagrama. Mida cuidadosamente cuando corte la mesa de trabajo, asegúrese de que los lados de la abertura estén paralelos y que los cortes del frente y de atrás están exactamente perpendiculares a los lados. La parte del frente de la abertura debe dejar libre el riel de soporte en el gabinete y la parte de atrás de la abertura debe dejar libre el soporte trasero del gabinete. Bisele todas las orillas expuestas del laminado decorativo para evitar que se astillen. **Curve las esquinas de los cortes y lije para asegurar que las orillas estén suaves y así prevenir que se rompan las esquinas.** Las orillas rasposas dentro de las esquinas que no se hayan redondeado y los ajustes forzados pueden contribuir a que se rompa el laminado de la mesa de trabajo. La mesa de trabajo debe mantenerse con un corte dentro de 3" (76.2 mm).

## PASO 3 UBICACION DEL SUMINISTRO ELECTRICO Y DE GAS

La posición del receptáculo para el suministro eléctrico y del tubo para el suministro de gas que ingresa al gabinete debe ser ubicada como se muestra en las áreas de sombra indicadas en seguida. La cubierta está equipada con un cable eléctrico de 4' (11.7 cm), que puede alcanzar cualquier posición en las paredes del gabinete. La cubierta debe ser desconectada del suministro eléctrico antes de llevar a cabo cualquier mantenimiento.



## PASO 4 PROPORCIONE EL SUMINISTRO ADECUADO DE GAS

Esta cubierta está diseñada para funcionar con gas natural a 5" (12.7 cm) de la presión de la columna de agua o con gas LP a 10" (254 ml) de la presión de la columna de agua. En la fábrica se ajusta para utilizarse con gas natural. Si decide utilizar esta cubierta con gas LP (propano), un técnico de servicio o una persona calificada deberá hacer los ajustes para la conversión.

Se deberá conectar un regulador de presión en serie al múltiple de la cubierta y deberá permanecer en serie con la línea de abastecimiento sin importar que si usa gas natural o LP.

**Para un funcionamiento apropiado, la presión máxima de entrada al regulador no deberá ser mayor que 10" (254 ml) de la presión de la columna de agua para gas LP.** Para revisar el regulador, la presión de entrada deberá ser por lo menos 1" (25.4 ml) mayor que la del ajuste de salida del regulador. Si el regulador está ajustado para una presión de columna de agua de 5" (12.7 cm), la presión de entrada deberá ser de por lo menos 6" (15.2 cm). Si el regulador está ajustado para 10" (254 ml), la presión de entrada deberá ser de por lo menos 11" (279.4 ml).

Para poder facilitar la instalación, y si los códigos locales lo permiten, la línea de abastecimiento de gas hacia la cubierta deberá tener un diámetro interior de  $\frac{1}{2}$ " (12.7 mm) o  $\frac{3}{4}$ " (19.1 mm) con un aditamento conector de metal flexible de tres (0.9144 m) a cinco pies (1.524 m) de largo.

## PASO 5 COMO PROBAR LA PRESION

La presión máxima de abastecimiento de gas para el regulador proporcionado en este aparato es de 14" (355.6 ml) W.C. La presión de prueba para revisar este regulador deberá ser de por lo menos 6" W.C. (152.4 ml) para gas natural y por lo menos 11" W.C. (279.4 ml) para LP. Se despacha con ajuste de la fábrica para gas natural a 5" W.C. (127 ml).

Este aparato y su llave de paso individual deberán desconectarse del sistema de tubería del abastecimiento de gas cuando se haga alguna prueba de presión de este sistema a presiones de prueba que excedan el  $\frac{1}{2}$  PSIG. Este aparato deberá aislarse del sistema de la tubería de abastecimiento de gas cerrando su llave de paso individual manual durante cualquier prueba de presión del sistema de la tubería del abastecimiento de gas a una presión de prueba igual o menor que  $\frac{1}{2}$  PSIG.



# INSTRUCCIONES DE INSTALACION

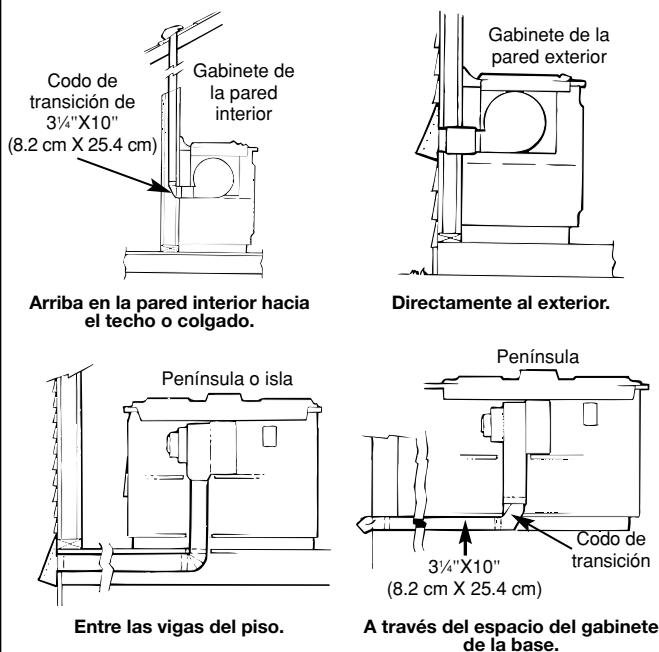
(continuación)

## PASO 6

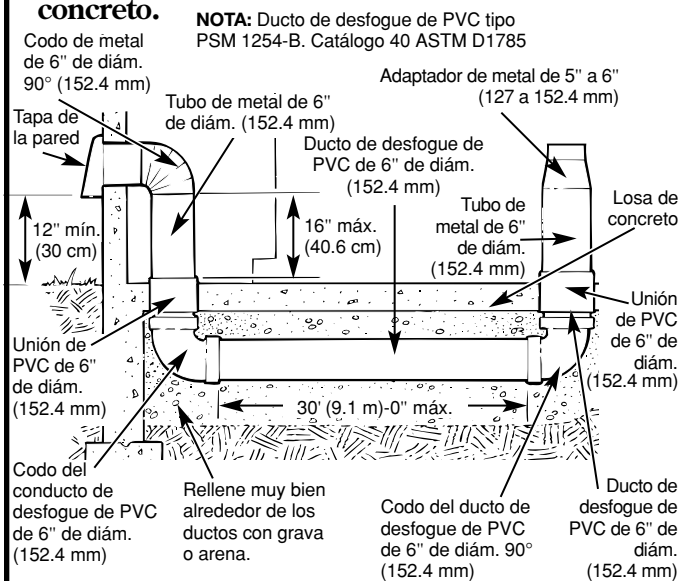
### PREPARACION PARA EL TRABAJO DE INSTALACION DE LA TUBERIA

**NOTA:** La tubería DEBE desfogarse en el exterior. NO se desfoga en una pared, techo, espacios pequeños, ático o cualquier espacio cerrado. Determine la mejor ruta para la tubería, que puede colocarse en una gran variedad de formas, dependiendo de la distribución de la cocina.

**Arreglo típico de la tubería de la serie de cubiertas.**



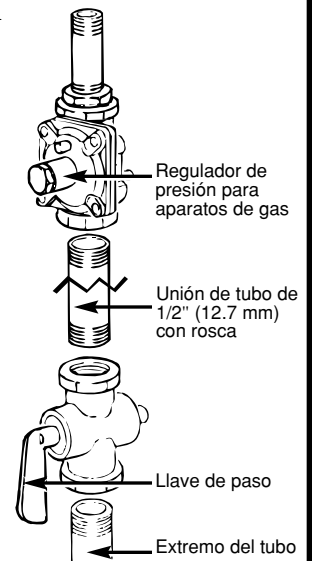
### Arreglo opcional de la tubería bajo la losa de concreto.



## PASO 7

### CONEXION DE GAS

Haga la conexión de gas en la entrada del regulador de presión usando este aditamento con una unión de tubo de 1/2" (12.7 mm) con rosca macho. Utilice un conector aprobado que sea resistente a los componentes y a la acción del gas LP cuando haga las conexiones de los tubos.



Instale una llave de paso manual en la línea de gas en una localización de fácil acceso, lo más cerca posible del extremo del tubo, dejando espacio para la tubería de ventilación. Asegúrese de saber cómo y dónde se cierra el abastecimiento de gas de la cubierta.

### NOTA:

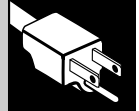
En lugar de usar tubería sólida para conectar el regulador de presión, puede utilizarse un conector de metal flexible que esté aprobado, para colocarlo entre el extremo del tubo, la llave de paso y el regulador de presión, si los códigos locales lo permiten.

Se requieren adaptadores de unión para tubería apropiados en los extremos de cada conector flexible.

Abra la llave; revise que no haya fugas utilizando un detector de fugas en líquido y pruebe todas las uniones del sistema de tubería.

### PRECAUCION: NO UTILICE UNA LLAMA PARA DETECTAR FUGAS DE GAS.

**IMPORTANTE**—Desconecte la cubierta y la llave de paso individual del sistema de la tubería de abastecimiento de gas durante cualquier revisión de presión de ese sistema a presiones de prueba mayores a 1/2 PSIG. Aísle la cubierta del sistema de la tubería del suministro de gas cerrando la llave de paso individual hacia la cubierta durante cualquier revisión de presión del sistema de la tubería de abastecimiento de gas a presiones de prueba iguales o menores a 1/2 PSIG.



## PASO 8

### PLANEE LA TRAYECTORIA DEL DUCTO

1. Haga un boceto de todo el sistema. Identifique el tipo de cada una de las conexiones y la longitud del tubo recto.
2. Anote el valor de su trayectoria en la Tabla de longitudes de ducto de esta guía. Los codos, las tapas de pared y otras conexiones se muestran en la tabla con su longitud equivalente de ducto recto. Cada valor de conexión debe añadirse a la longitud de ducto recto usado para determinar la longitud equivalente del ducto recto total. Utilice como guía los siguientes ejemplos.
3. Usando material para ductos de buena calidad, instale siguiendo estas instrucciones. Unos cuantos minutos y un poco de dinero que invierta ahora le rendirán beneficios a largo plazo durante la vida útil de su cubierta.

## PASO 9

### INSTALACION DE LAS TUBERIAS

- Las tuberías deben estar de conformidad con los requerimientos de los códigos locales de materiales y “vista de la instalación”—300 CFM como mínimo.
- **IMPORTANTE:** Guarde estas instrucciones para uso del inspector local de electricidad.
- Las conexiones de la tubería de una cubierta son muy sencillas pero son de importancia esencial para el funcionamiento adecuado de la misma.
- Después de leer estas instrucciones, planee la trayectoria del ducto.
- Use la “Tabla de Longitud de Ducto” para encontrar la longitud equivalente de la trayectoria.
- Cambie el ventilador a “margen alto” si está indicado hacerlo (esto se hace quitando el “anillo estrangulador” de la entrada del ventilador). Asegúrese de que el ventilador no esté funcionando.
- Instale la tubería.

#### IMPORTANTE

La tolerancia total del sistema de ductos es:

90' redondo con 6 pulgadas de tapa a la pared

80' con tapa a la pared de 3¼" x 10" (8.26 cm x 25.4 cm)

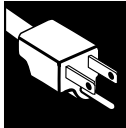
El margen bajo es hasta de 60'

El margen alto es de 61 a 90'

### CONSIDERACIONES GENERALES

1. Use un ducto de 6" de diámetro (redondo) o de 3¼" x 10" (8.26 cm x 25.4 cm) si es rectangular, con las siguientes excepciones: Para modelos de gas, debe usarse un diámetro de 5" (12.7 cm) si el largo de la tubería recta es de 10 pies (305 mm) o menos, usando una tapa redonda de pared de 5" (12.7 cm).
2. No use codos de 5" (12.7 cm) excepto en un sistema de 5" (12.7 cm). En lugar de eso, utilice un conector de 5" (12.7 cm) a 6" (15.24 cm), o un codo de transición de 3¼" x 10" (8.26 x 25.4 cm) de 5" (12.7 cm).
3. Utilice una tubería de metal de buena calidad, galvanizada, por lo menos de calibre 26 ó 24, de aluminio. Si usa tubos de calidad inferior puede causar una restricción hasta del doble de lo que se muestra y eso representa un valor muy bajo. Consulte la sección Cómo preparar la instalación de la tubería de esta guía para ver que otro tipo de tubería puede elegir. Los códigos locales pueden exigirle el uso de un material de mayor calibre o restringir el uso de PVC.
4. La distancia entre las conexiones adyacentes (codos, transiciones, etcétera) debe ser por lo menos de 18" (45.72 cm). Entre más lejanas estén una de otra, será mejor el resultado. Las distancias cortas promueven turbulencias que reducen el flujo de aire.
5. El número de codos o transiciones de bajada debe limitarse a tres. La transición recta de 5" a 6" (12.7 cm a 15.24 cm), en caso de usarse, no necesita limitarse a esta cantidad.
6. Los emboquillados hechos a mano quizá originen restricciones.
7. Si se usa una tapa de pared o de techo alternativa, cerciórese de que no se reduzca el tamaño del ducto y de que no haya una válvula de retroceso de corriente. Es mejor utilizar las tapas que se encuentran en la lista para estar seguros de que funcionarán de manera correcta.
8. Interruptor térmico: En áreas de clima extremadamente frío, quizá sea necesario proporcionar un ducto corto no metálico colocado tan cerca de la pared como sea posible para evitar la conducción a lo largo del ducto de metal.
9. Instalaciones a gran altitud: Es recomendable reducir la trayectoria del ducto en un 20%.
10. Siga cuidadosamente los cálculos para ductos que están en esta guía para un mejor rendimiento.

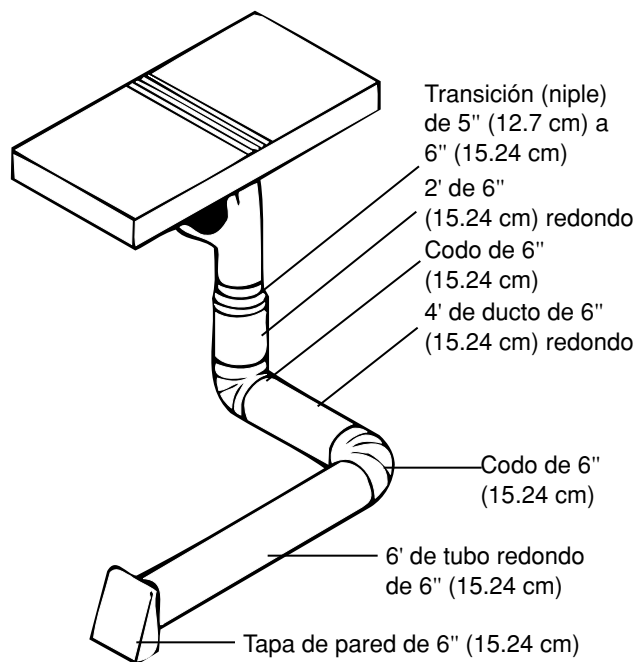
(continúa en la página siguiente)



# INSTRUCCIONES DE INSTALACION

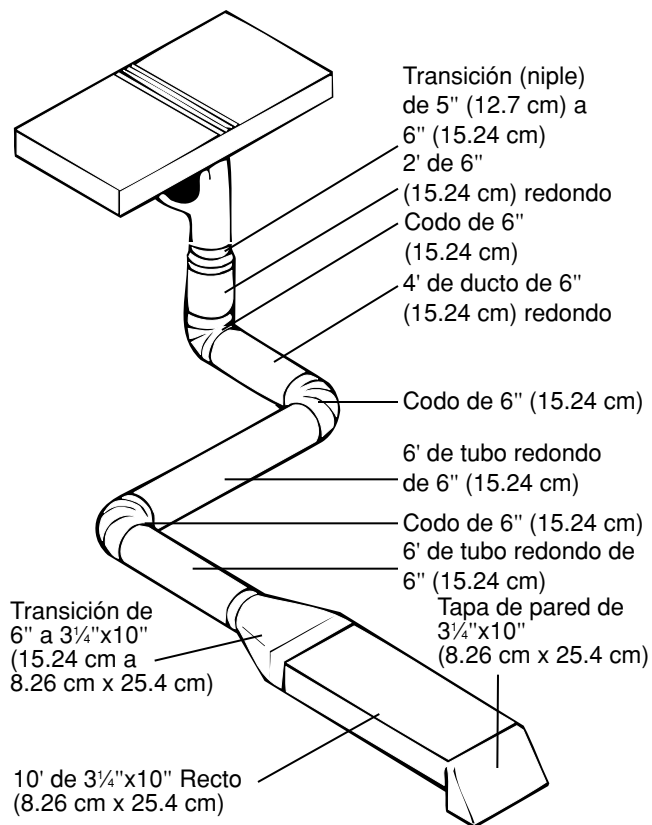
(continuación)

**Ejemplo 1**



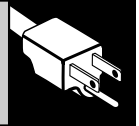
	Longitud equivalente de las conexiones de ducto	Número de conexiones	Total del equivalente de longitud de las conexiones
Transición 5" a 6"	1	1	1
Recto de 6"	1	2+4+6=12	12
Codo de 6"	5	2	10
Tapa de pared 6"	28	1	28
<b>Total</b>			<b>51</b>

**Ejemplo 2**


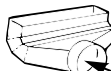
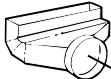

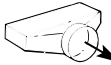
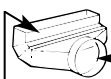
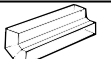
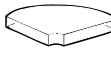






	Longitud equivalente de las conexiones de ducto	Número de conexiones	Total del equivalente de longitud de las conexiones
Transición 5" a 6"	1	1	1
Recto de 6"	1	2+4+6+4=16	16
Codo de 6"	5	3	15
Transición de 6" a 3/4"x10"	1	1	1
Recto de 3/4"x10"	1	10	10
Tapa de pared de 3/4"x10"	20	1	20
<b>Total</b>			<b>63</b>

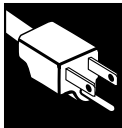




## TABLA DE LONGITUD DE DUCTO

Conexiones de los ductos	Longitud equivalente de las conexiones para ductos	Cantidad de conexiones	Total-equivalente de longitud de las conexiones
Codo de 90° de 8" de diámetro	5' (1.52 m)		
Codo de 45° de 6" de diámetro	2.5' (.76 m)		
 Transición de 5" a 6" (12.7 cm a 15.24 cm) No se recomienda esta dirección para el flujo de aire.	1.0' (.30 m)		
 Codo de 90° de 6" a 3/4"x10" (15.24 cm a 8.26 cm x 25.4 cm)	5' (1.52 m)		
 Codo de 90° de 3/4"x10" a 6" (8.26 cm x 25.4 cm a 15.24 cm)	9' (2.75 m)		
 Codo de 90° de 6" a 3/4"x10" (15.24 cm a 8.26 cm x 25.4 cm)	1' (.30 m)		
 Transición de 3/4"x10" a 6" (8.26 cm x 25.4 cm a 15.24 cm)	4.5' (1.37 m)		
 Codo de 90° de 5" a 3/4"x10" (12.7 cm a 8.26 cm x 25.4 cm) No se recomienda esta dirección para el flujo de aire.	6' (1.83 m)		
 Codo de 90° de 3/4"x10" (8.26 cm x 25.4 cm)	5' (1.52 m)		
 Codo plano de 3/4"x10" (8.26 cm x 25.4 cm)	12' (3.66 m)		
 Tapa de pared de 6" (15.24 cm)	28' (8.53 m)		
 Tapa de pared de 3/4"x10" (8.26 cm x 25.4 cm)	20' (6.10 m)		
 Desfogue de techo de 10"x10" (25.4 cm x 25.4 cm)	0' (0 m)		
 Interruptor térmico	2' (.61 m)		
Ducto recto de 6" de diámetro—Pies (para ducto flexible multiplique por 2)	1' (.30 m)		
Ducto recto de 3/4"x10"—Pies	1' (.30 m)		
<b>Total del sistema</b>			

(continúa en la página siguiente)



# INSTRUCCIONES DE INSTALACION

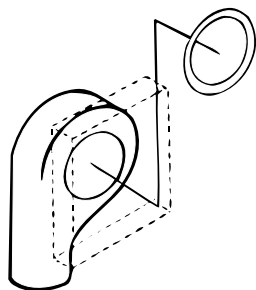
(continuación)

## PASO 10

### COMO CAMBIAR EL TIRO O EXTRACTOR DE "BAJO RANGO" A "ALTO RANGO"

Esta cubierta está equipada con un extractor de rango doble. Se envía desde la fábrica en el modo de Bajo rango para la mayoría de las instalaciones. Si el Tamaño equivalente excede los 30 pies (9.144 m) entonces debe cambiarse a Alto rango. No lo cambie a alto rango para tuberías más cortas. Esto causaría un ruido excesivo, pérdida de aire acondicionado y afectaría el patrón de la llama de los quemadores de gas.

Para cambiar a Alto rango, asegúrese de que el tiro o extractor esté apagado. Quite la rejilla de aire. Quite el filtro y la salvaguardia de entrada. Saque el anillo reductor de la entrada del tiro o extractor. Vuelva a colocar la salvaguardia de entrada, la rejilla y el filtro.



## PASO 11

### CONEXION ELECTRICA

#### Requerimientos eléctricos:

120 voltios, 60 Hertz, circuito individual, rama de circuitos conectados a tierra adecuadamente y protegidos por un interruptor de circuito de 15 amperios o un fusible de retardo.

### CONEXION A TIERRA

**IMPORTANTE:** (Por favor lea con cuidado) POR SU SEGURIDAD PERSONAL, ESTE APARATO DEBE ESTAR CONECTADO A TIERRA EN FORMA APROPIADA.

El cable eléctrico de este aparato está equipado con una clavija de tres patas (para conexión a tierra) la cual se conecta a una toma de corriente de pared que esté aterrizada y que tenga tres entradas estándar para minimizar de este modo la posibilidad de riesgo de un choque eléctrico con este aparato. El cliente debe hacer que un electricista calificado revise la toma de corriente de la pared y el circuito para asegurarse de que la toma de corriente esté conectada a tierra de manera correcta y de que tenga la polaridad correcta.

Donde haya una toma de corriente de pared de dos entradas, es la responsabilidad y obligación personal del cliente el cambiarla por una toma de corriente de tres entradas que esté conectada a tierra de la manera adecuada en conformidad con el Código Eléctrico Nacional.

**De ninguna manera, bajo ninguna circunstancia, corte o quite la tercera pata (conexión a tierra) de la clavija del cable eléctrico.**

No utilice un cable de extensión para este aparato.

## PASO 12

### REVISE EL ENCENDIDO

Después de instalar la cubierta, verifique la ignición de cada quemador.

1. Oprima una perilla y hágala girar hasta la posición de LITE (encender) [180° de OFF (apagado)]. El piloto producirá chispas y se encenderá el quemador.
2. Después de encender el quemador, haga girar la perilla hasta la posición de HI (alto) y el piloto dejará de producir chispas.
3. Haga girar la perilla hacia la posición de OFF (apagado).

Repita eso para cada quemador.

# COMO CONVERTIR A GAS LP

o convertir de nuevo de gas LP a gas natural



## COMO CONVERTIR PARA USO CON GAS LP O CON GAS NATURAL

Esta cubierta sale de la fábrica lista para usarse con gas natural. Si la convierte para usarla con gas LP, guarde estas instrucciones y aberturas en caso de que quiera convertirla de nuevo para usarla con gas natural. Un técnico calificado o un instalador calificado debe hacer la conversión.

### HERRAMIENTAS QUE SE REQUIEREN:

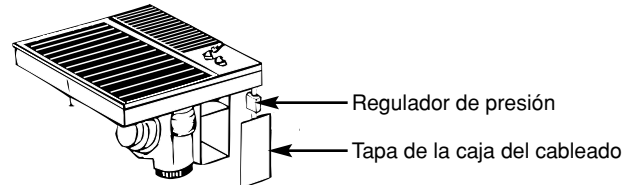
- Llave de boca con abertura de 1/2" (12.7 mm)
- Destornillador de hoja plana (pequeño)
- Llave de tuercas de 5/16" o una pequeña adaptable (dependiendo del tamaño de los aditamentos)

### I PREPARE LA CUBIERTA PARA LA CONVERSION

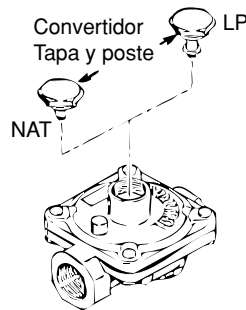
- (1) Cierre el suministro de gas (válvula de paso) de la pared.
- (2) Apague el suministro eléctrico que va a la cubierta.

### 2 COMO CONVERTIR EL REGULADOR DE PRESION DE PRESION

**ADVERTENCIA:** No quite el regulador de presión.



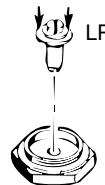
1. Utilice una llave de tuercas adaptable para quitar la tapa del regulador de presión de metal.



2. Aplique presión lateral con el dedo para quitar el poste de plástico de la tapa de metal.



3. Oprima hacia abajo sobre las orillas del disco para volver a colocar el poste en la tapa.



**CONSEJO:** Para invertir el poste, coloque la tapa sobre una superficie plana horizontal y aplique presión lateral con el dedo sobre el poste.

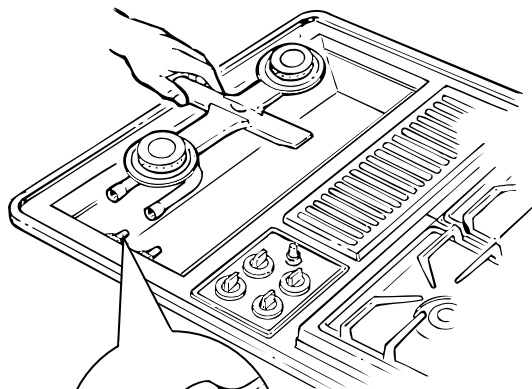
(continúa en la página siguiente)



# COMO CONVERTIR A GAS LP

(continuación)

## 3 COMO CONVERTIR LOS QUEMADORES DE LA SUPERFICIE



Llave de boca con abertura de 1/2"

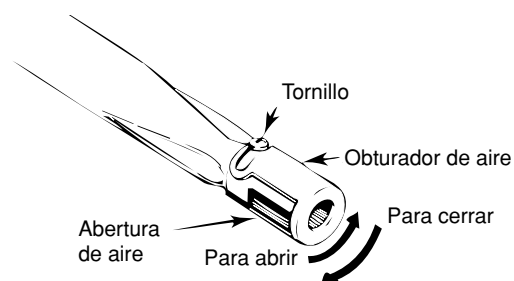
Haga girar en el sentido de las manecillas del reloj para apretar.

Haga girar en sentido contrario al de las manecillas del reloj para quitar.

1. Quite el módulo del quemador y la abrazadera de montaje del quemador de la superficie.
2. Con una llave de boca con abertura de 1/2" quite las camisas de los orificios.
3. Encuentre las camisas de los orificios para gas LP con código de color que se encuentran en la bolsa sujeta en un lado del área debajo de la cubierta.
4. Instale las camisas de los orificios plateados para gas LP (marcadas con el 66) en vez de las de color verde (en las salidas de gas de la unidad que se encuentra a la izquierda de los controles). Instale las camisas de los orificios de color azul (marcadas con el 63) en vez de las de color bronce (en las salidas de gas de la unidad que se encuentra a la derecha de los controles de los modelos de unidad de doble tiro).
5. Vuelva a colocar los montajes de los quemadores.
6. Guarde todos los aditamentos con la cubierta para que los tenga a la mano si tiene que mudarse o utilizar otro tipo de suministro de gas.

Quemador superior	Tamaño del orificio de perforación	Color
<b>Lado izquierdo</b>		
Gas natural	#55 (.0520 diám.)	Verde
LP (propano)	#66 (.0330 diám.)	Plateado
<b>Lado derecho</b>		
Gas natural	#53 (.0595 diám.)	Bronce
LP (propano)	#63 (.037 diám.)	Azul

## 4 CONVERSION DEL OBTURADOR DE AIRE DEL QUEMADOR DE LA SUPERFICIE (en algunos modelos)



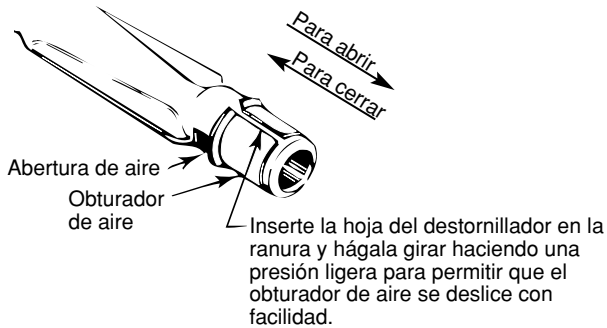
Para usar gas LP, afloje el tornillo con cabeza Phillips y haga girar el obturador de aire hasta la posición en la que quede completamente abierto. Después de 30 segundos de operación del quemador, revise las llamas que salen de los puertos de los quemadores. Si se observa que se levantan, reduzca de manera gradual la abertura del obturador de aire hasta que las llamas se estabilicen. Después de hacer la conversión, apriete el tornillo.

**Para usarse con gas natural**, el obturador deberá abrirse 1/2" o 3/4" (1.27 cm o 1.9 cm).



## 5 CONVERSION DEL OBTURADOR DE AIRE DEL QUEMADOR DEL ASADOR

(en algunos modelos)



El obturador de aire que está a mano izquierda controla la mitad posterior del quemador del asador; el obturador que está a mano derecha controla la mitad delantera.

Deslice el obturador de aire hacia adelante o hacia atrás para aumentar o disminuir el tamaño de la abertura de aire. Los obturadores de aire se ajustan por deslizamiento en el quemador del asador, de manera que puede requerirse la hoja de un destornillador para llevar a cabo este ajuste (vea la ilustración). El ajuste forzado del obturador de aire asegura que éste permanecerá en posición correctamente.

## 6 REVISE QUE NO HAYA FUGAS

Cuando se hayan hecho todas las conexiones, asegúrese de que todos los controles de la cubierta estén en posición de apagado y abra la válvula de paso principal. Utilice un detector líquido en todas las juntas y conexiones para revisar que no haya fugas en el sistema.

**PRECAUCION: NO USE NUNCA UNA LLAMA ENCENDIDA PARA BUSCAR FUGAS DE GAS.**

Cuando use presiones de prueba mayores que ½ PSIG para probar la presión de suministro de gas del sistema de la residencia, desconecte la cubierta y la llave de paso individual del sistema de la tubería de abastecimiento de gas. Cuando use presiones de prueba de ½ PSIG o menores para probar el sistema de suministro de gas, simplemente aíse la cubierta del sistema de la tubería del suministro de gas cerrando la llave de paso individual.

## 7 AJUSTE DE FLAMA BAJA

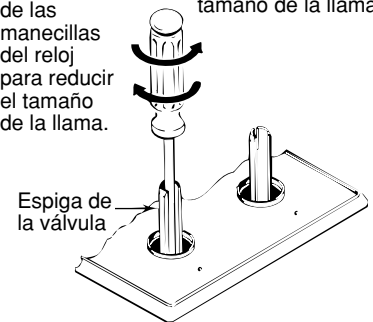
1. Encienda los quemadores de la superficie y siga colocando todas las perillas de la superficie hasta la posición LOW (bajo).

2. Quite las 4 perillas.

3. Con un pequeño destornillador de hoja plana, haga girar los tornillos de la válvula en el sentido de las manecillas del reloj para hacer que disminuya el tamaño de la llama, y en contra del sentido de las manecillas del reloj para aumentar el tamaño de la llama.

Haga girar en el sentido de las manecillas del reloj para reducir el tamaño de la llama.

Haga girar en sentido contrario al de las manecillas del reloj para aumentar el tamaño de la llama.



Ajuste hasta que la llama tenga aproximadamente la misma altura que la parte superior del quemador.

4. Vuelva a colocar las perillas.

## 8 REVISE LA CALIDAD DE LAS LLAMAS

La calidad de la combustión de las llamas de los quemadores necesita determinarse de manera visual.



(A) **Llamas amarillas**—Solicite un servicio



(B) **Puntas amarillas en los conos exteriores**—Normal en el caso del gas LP



(C) **Llamas azul claro**—Normal en el uso de gas natural.

Si las llamas del quemador se ven como se describe en (A), solicite un servicio. Las llamas normales de un quemador deberán verse como (B) o (C), dependiendo del tipo de gas que utilice. Con el gas LP, es normal que se vean unas puntas amarillas en los conos exteriores.



# ¿PREGUNTAS? USE ESTA GUIA PARA RESOLVER PROBLEMAS

PROBLEMA	POSIBLE CAUSA
NO ENCIENDEN LOS QUEMADORES	<ul style="list-style-type: none"> <li>• Asegúrese de que la clavija esté conectada a una toma de corriente que tenga energía eléctrica.</li> <li>• Revise que los puertos de los quemadores o los puertos de los pilotos no están atascados.</li> <li>• Revise que no haya un fusible fundido en el circuito o que se haya botado el interruptor del circuito.</li> <li>• Revise que el piloto haga ruido. Si no hace ruido, haga girar la perilla de control hasta la posición de apagado y limpie el piloto.</li> <li>• Revise que el aditamento del regulador esté ajustado para el combustible correcto.</li> <li>• Revise que la presión de entrada sea la adecuada.</li> <li>• Vea si no están bien colocadas las partes del quemador.</li> </ul>
LOS QUEMADORES TIENEN LLAMAS AMARILLAS O CON PUNTAS AMARILLAS	<div style="display: flex; justify-content: space-around; align-items: flex-start;"> <div style="text-align: center;">  <p><b>(A) Llamas amarillas— Pida un servicio</b></p> </div> <div style="text-align: center;">  <p><b>(B) Puntas amarillas en los conos exteriores— Normal para gas LP (Propano)</b></p> </div> <div style="text-align: center;">  <p><b>(C) Llamas de color azul claro—Normal para gas natural</b></p> </div> </div> <ul style="list-style-type: none"> <li>• Si las llamas del quemador se ven como en (A), pida un servicio. Las llamas normales del quemador deberían verse como en (B) o (C), dependiendo del tipo de gas que use.</li> </ul> <p><b>NOTA:</b> El quemador de asador mostrará llamas anaranjadas debido a derrames de grasa.</p>
LA LLAMA NO ES UNIFORME	<ul style="list-style-type: none"> <li>• Los puertos del quemador pueden estar atascados.</li> <li>• El tornillo de ajuste de la llama necesita ser ajustado.</li> </ul>
LA LLAMA SE LEVANTA DE LOS PUERTOS	<ul style="list-style-type: none"> <li>• El obturador del tubo mezclador debe cerrarse hasta que la llama se ajuste en los puertos del quemador. Vea Ajustes menores que puede usted llevar a cabo, en esta guía.</li> </ul>
LAS LLAMAS DEL QUEMADOR SON MUY GRANDES O AMARILLAS	<ul style="list-style-type: none"> <li>• Si la estufa está conectada a gas LP (Propano), revise todos los pasos de las Instrucciones de instalación.</li> </ul>
NO GIRA LA PERILLA DE CONTROL DEL QUEMADOR	<ul style="list-style-type: none"> <li>• Cuando la perilla está en la posición de OFF (apagado), debe empujarse antes para que pueda girar, y solamente puede girar hacia la <b>izquierda</b>. Cuando la perilla está en otra posición, puede girar en cualquier dirección sin necesidad de empujarla.</li> </ul>
NO FUNCIONA EL VENTILADOR	<ul style="list-style-type: none"> <li>• La perilla de control del ventilador debe girarse hacia la <b>derecha</b> para encender el ventilador.</li> </ul>
EL VENTILADOR SE ENCIENDE AUTOMATICAMENTE	<ul style="list-style-type: none"> <li>• Esto es normal. El ventilador del respiradero funcionará automáticamente cuando el quemador del asador esté en uso.</li> </ul>

**Si necesita más ayuda...llame sin costo a:**  
**GE Answer Center®**  
**800.626.2000**  
**servicio de información al consumidor**

# Estaremos con usted

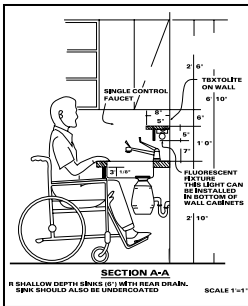
Con la compra de su nuevo aparato GE recibirá la seguridad de que si alguna vez necesita información o asesoría de GE, estaremos a su disposición. Todo lo que tiene que hacer es llamar—¡sin costo! En GE Answer Center® se habla español.

**GE Answer Center®**  
**800.626.2000**

Cualquiera que sea su pregunta sobre alguno de los grandes aparatos de GE, el servicio de información de GE Answer Center® estará dispuesto a ayudar. Su llamada—y su pregunta—serán contestadas inmediatamente y con cortesía. Y usted puede llamar a cualquier hora. El servicio de GE Answer Center® está abierto 7 días a la semana las 24 horas del día.

**Servicio de reparación en su hogar**  
**800-GE-CARES (800-432-2737)**

Un especialista del servicio al consumidor de GE le proporcionará el servicio especializado de reparación, programado a la hora más conveniente para usted. Muchos centros de servicio al consumidor de GE operados por la compañía le ofrecen servicio hoy o mañana o cuando a usted le convenga (de 7:00 am a 7:00 pm en días laborables y de 9:00 am a 2:00 pm los sábados). Nuestros técnicos capacitados por la fábrica conocen su aparato por fuera y por dentro—así, la mayoría de las reparaciones se hacen en sólo una visita.



**Para clientes con necesidades especiales...**  
**800.626.2000**

Si se solicita, GE puede proporcionar controles Braille para numerosos aparatos, así como un folleto de ayuda en la planeación de una cocina sin barreras para personas limitadas en su movilidad. Para adquirir estos artículos, llamar sin costo al teléfono 800.626.2000.

Los consumidores con impedimentos (de oído o de habla) que tienen acceso a TDD o a algún teletipo convencional, llamar al 800.TDD.GEAC (800.833.4322) para solicitar información o servicio.

**Contratos de servicio**  
**800-626-2224**

Usted puede estar seguro de que el GE Consumer Service estará allí aún después de que expire su garantía. Compre usted un contrato de servicio GE mientras esté vigente su garantía y recibirá un descuento considerable. Con un contrato para varios años, usted asegura el servicio futuro a los precios de hoy.

**Partes y accesorios**  
**800-626-2002**

Las personas calificadas para dar servicio a sus propios aparatos pueden solicitar las partes y accesorios que se les enviarán directamente a sus hogares. El sistema de refacciones de GE tiene acceso a más de 47000 partes... y todas las refacciones originales de GE cuentan con plena garantía. Se aceptan tarjetas VISA, Mastercard y Discover.

Las instrucciones de mantenimiento para el usuario que contiene esta guía cubren procedimientos que puede realizar cualquier usuario. Otro tipo de servicios los deberá ejecutar exclusivamente personal calificado. Es necesario tener precaución, ya que el servicio inadecuado puede ser causa de peligros en la operación.

# SU CUBIERTA GE GARANTIA

**Engrape aquí la nota de caja o el cheque cancelado. Es necesario mostrar la fecha original de la compra para obtener servicio bajo garantía.**

## LO QUE ESTA CUBIERTO

### GARANTIA COMPLETA DE 1 AÑO

Durante un año a partir de la fecha original de compra, GE proporcionará partes y mano de obra, sin costo alguno y en su casa, para la reparación o sustitución **cualquier parte de la cubierta** que presente fallas debidas a algún defecto de fabricación.

\*\*\*\*\*

Esta garantía se extiende al comprador original y a cualquier propietario subsecuente por productos comprados para uso normal en el hogar en los 48 estados continentales, Hawai y Washington D.C. En Alaska valdrá la misma garantía pero con la LIMITACION de que el propietario pagará el costo del embarque al taller de servicio o los viáticos del técnico de servicio hasta su hogar.

Todos los servicios de garantía serán proporcionados por nuestros centros de servicio de fábrica o por los técnicos autorizados del Customer Care® (Atención al cliente) durante las horas laborables normales.

Si su aparato necesitara servicio durante el período de garantía o posteriormente, llamar al 800.GE.CARES (800.432.2737).

## LO QUE NO ESTA CUBIERTO

- Viajes de servicio a su hogar para mostrar cómo se usa el producto.

**Lea el material para el Uso y el cuidado.** Si aún tuviera alguna pregunta sobre cómo operar el producto, favor de contactar a nuestro representante o a nuestra oficina de Asuntos del consumidor en la siguiente dirección o llame sin cargo a:

GE Answer Center®  
800.626.2000  
consumer information service

- Instalación inadecuada.

Si usted tiene algún problema de instalación, contacte a nuestro representante o instalador.

Usted es responsable de proporcionar las instalaciones adecuadas de electricidad, gas, escapes y otras conexiones como está descritas en las Instrucciones de instalación incluidas con el producto.

- Reemplazo de fusibles del hogar o eliminación de cortocircuitos.
- Fallas del aparato si éste se usara para otros propósitos que los propuestos o se usara para fines comerciales.
- Daños al producto causados por accidentes, fuego, inundaciones o cualquier causa de fuerza mayor.

**LA EMPRESA QUE OTORGA LA GARANTIA NO ES RESPONSABLE DE DAÑOS CONSECUTENTES.**

Algunos estados no permiten la exclusión o la limitación de daños incidentales o consecuentes, de manera que la limitación o exclusión mencionada no sería válida para usted. Esta garantía le proporciona derechos legales específicos y usted podrá tener otros derechos más que varían de un estado a otro. Para saber qué derechos legales tiene en su estado, consulte a la oficina local de derechos del consumidor o a la procuraduría de su estado.

**Empresa que otorga la garantía: General Electric Company**

**Si necesitara asesoría con respecto a esta garantía, escriba a:  
Manager—Consumer Affairs, GE Appliances, Louisville, KY 40225**

JGP18  
JGP389



## Free Manuals Download Website

<http://myh66.com>

<http://usermanuals.us>

<http://www.somanuals.com>

<http://www.4manuals.cc>

<http://www.manual-lib.com>

<http://www.404manual.com>

<http://www.luxmanual.com>

<http://aubethermostatmanual.com>

Golf course search by state

<http://golfingnear.com>

Email search by domain

<http://emailbydomain.com>

Auto manuals search

<http://auto.somanuals.com>

TV manuals search

<http://tv.somanuals.com>