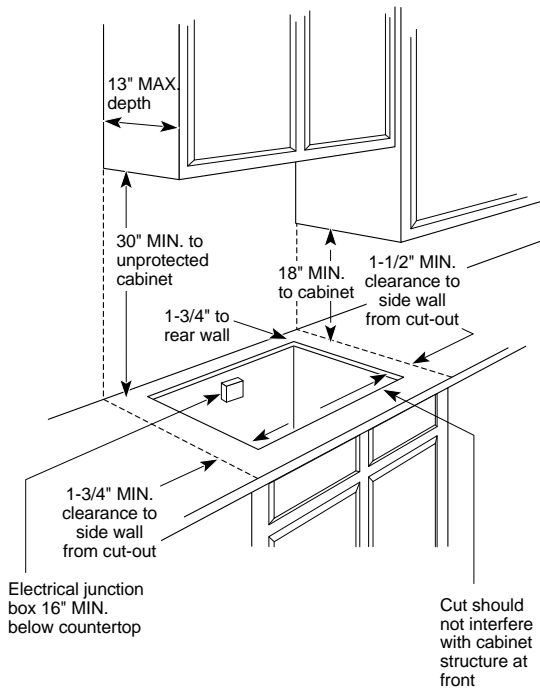




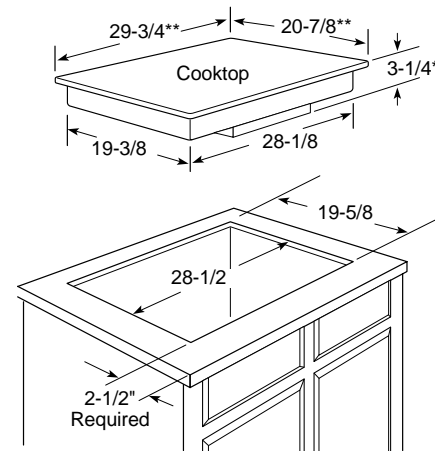
Profile™

JP938BC/CC/SC/WC—GE Profile™ 30" Built-In CleanDesign Electric Cooktop

Counter Installation (in inches)



Cooktop Dimensions (in inches)



*Depth of unit at conduit location (rear) is 6-1/4"

**Stainless steel cooktop dimensions are 29-7/8" (width) and 21" (depth)

KW Rating	
240V	8.1
208V	6.1
Breaker Size	
40 Amps†	

†Note: Check local codes for required breaker size

Note: If installing with a GE Profile Performance™ or GE Profile™ Telescopic Downdraft System, consult both cooktop and downdraft installation instructions packed with product before installing. Cooktop gas/electric supply may need to be re-routed to install downdraft.

Note: Consult cabinet and countertop manufacturer's specs for flush mount installation prior to install.

Installation Information: Requires a 5" free area between the bottom of the cooktop to any combustible material, i.e., shelving. Free area not required when installing wall oven underneath cooktop. Refer to installation instructions. Requires an 18" minimum from cooktop to adjacent overhead cabinets. Units are furnished with a 48" flexible armored cable.

Before installing, consult installation instructions packed with product for current dimensional data. 36" Ribbon cooktops are approved for use over GE 30" Single Wall Ovens only. 30" Ribbon cooktops are approved for use over select GE 29" and GE 30" Single Wall Ovens. Refer to cooktop and wall oven installation instructions packed with product for current dimensional data.

Filler Trim Kit

When replacing an old GE 30" cooktop (with larger opening) with Models JP938/930/350/340, use the following one-piece trim kit to fill in the over-size hole. Available at additional cost.

JXTR31W (True White)

JXTR31B (Black glass with black, white or bisque pattern)

Flush Mount Installation Kit

Accommodates both 30" and 36" installations. Not for use with stainless steel models.

JXFLMTW (True white glass)

JXFLMBB (Black glass with black, white or bisque pattern)

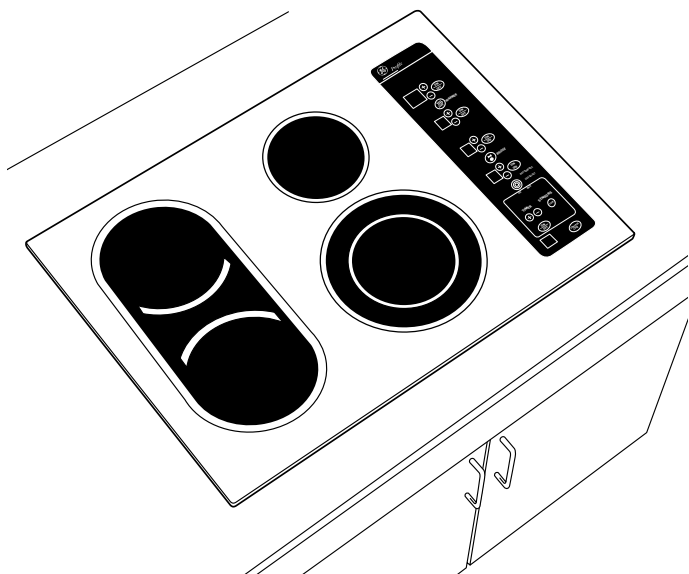
For answers to your Monogram®, GE Profile™ or GE appliance questions, visit our website at WWW.GEAppliance.com or call GE Answer Center® service, 800.626.2000.





Profile™

JP938BC/CC/SC/WC—GE Profile™ 30" Built-In CleanDesign Electric Cooktop



Features and Benefits

- Electronic Touch Controls
- 30" Frameless Ceramic Cooktop
- One Dual 6"/9" (2500W), One 6" (1200W) with Warmer and Two 7" (1800W) with Bridge Burner (800W)
- Pan Presence Sensor
- Flushmount Capable
- Fingerprint and Scratch Resistant Patterned Glass Surface
- Model JP938SCSS—Stainless Steel
- Model JP938WCWW—White on White
- Model JP938BCBB—Black on Black
- Model JP938CCCC—Bisque

Specification Revised 3/01

Free Manuals Download Website

<http://myh66.com>

<http://usermanuals.us>

<http://www.somanuals.com>

<http://www.4manuals.cc>

<http://www.manual-lib.com>

<http://www.404manual.com>

<http://www.luxmanual.com>

<http://aubethermostatmanual.com>

Golf course search by state

<http://golfingnear.com>

Email search by domain

<http://emailbydomain.com>

Auto manuals search

<http://auto.somanuals.com>

TV manuals search

<http://tv.somanuals.com>