

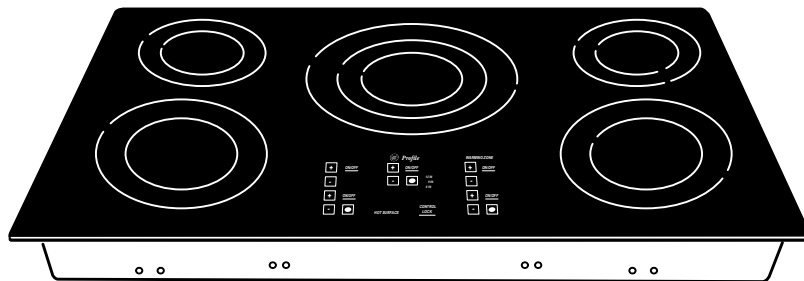
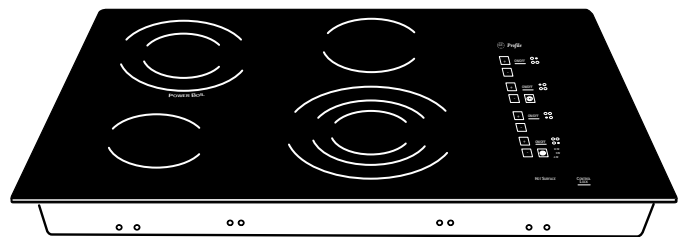
GE Consumer & Industrial

# Technical Service Guide

January 2007

## Profile 30- and 36-in. Cooktops

PP945  
PP975



31-9149



GE Appliances  
General Electric Company  
Louisville, Kentucky 40225



## IMPORTANT SAFETY NOTICE

The information in this service guide is intended for use by individuals possessing adequate backgrounds of electrical, electronic, and mechanical experience. Any attempt to repair a major appliance may result in personal injury and property damage. The manufacturer or seller cannot be responsible for the interpretation of this information, nor can it assume any liability in connection with its use.

## WARNING

To avoid personal injury, disconnect power before servicing this product. If electrical power is required for diagnosis or test purposes, disconnect the power immediately after performing the necessary checks.

## RECONNECT ALL GROUNDING DEVICES

If grounding wires, screws, straps, clips, nuts, or washers used to complete a path to ground are removed for service, they must be returned to their original position and properly fastened.

*GE Consumer & Industrial*  
*Technical Service Guide*  
*Copyright © 2007*

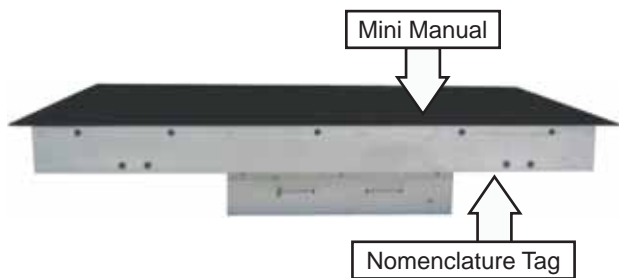
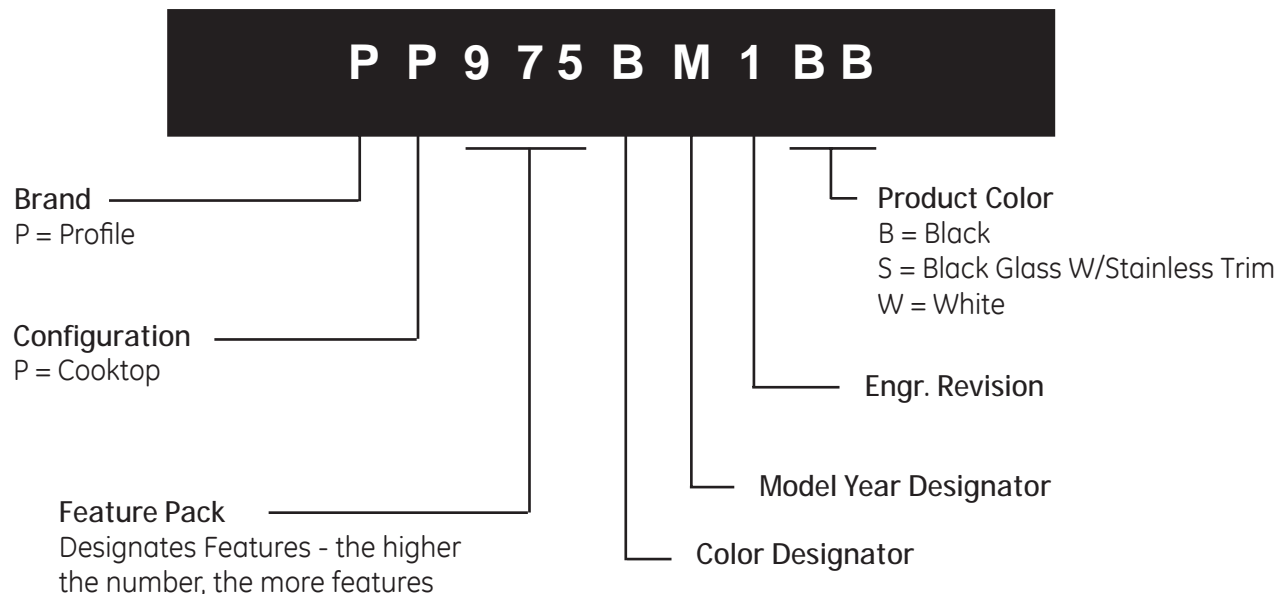
All rights reserved. This service guide may not be reproduced in whole or in part in any form without written permission from the General Electric Company.

# Table of Contents

Component Locator Views.....	13
Component Quick Reference Troubleshooting.....	20
Control Features.....	8
Cooktop Components.....	15
Cooktop Removal From Countertop.....	15
Daughter Relay Module (DRM).....	16
Diagnostics and Service Information.....	20
Dimensions and Clearances.....	7
Electrical Requirements.....	6
Element Hot Light Troubleshooting.....	22
Element Resistance Troubleshooting.....	21
Glass Top.....	15
Heating Elements.....	18
Installation.....	6
Introduction.....	5
Nomenclature.....	4
Operation Overview.....	12
Relay Power Supply Module (RPSM).....	17
Schematics and Wiring Diagrams.....	23
Warranty.....	27

# Nomenclature

## Model Number



The nomenclature tag of your cooktop is located on the bottom of the burner box. In addition to the model and serial numbers, this tag tells you the power ratings of the supply circuit for the cooktop.

The mini-manual is located under the glass top, inside the control enclosure.

## Serial Number

The first two characters of the serial number identify the month and year of manufacture.  
Example: **AM**123456S = January 2007

A - JAN	2007 - M
D - FEB	2006 - L
F - MAR	2005 - H
G - APR	2004 - G
H - MAY	2003 - F
L - JUN	2002 - D
M - JUL	2001 - A
R - AUG	2000 - Z
S - SEP	1999 - V
T - OCT	1998 - T
V - NOV	1997 - S
Z - DEC	1996 - R

The letter designating the year repeats every 12 years.

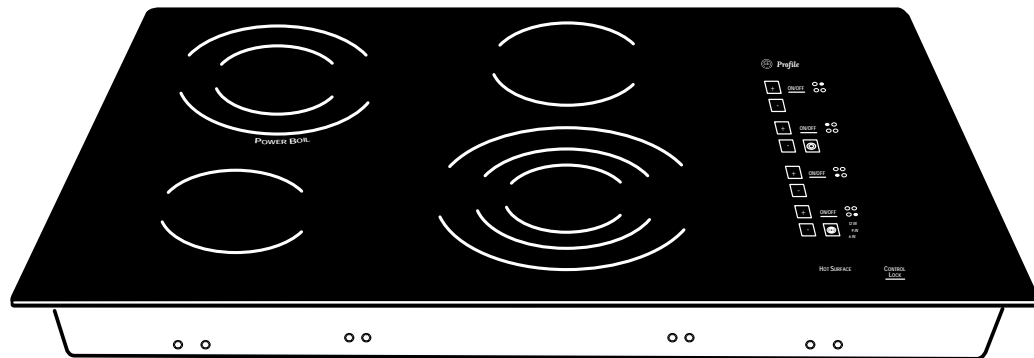
Example:

T - 1974  
T - 1986  
T - 1998

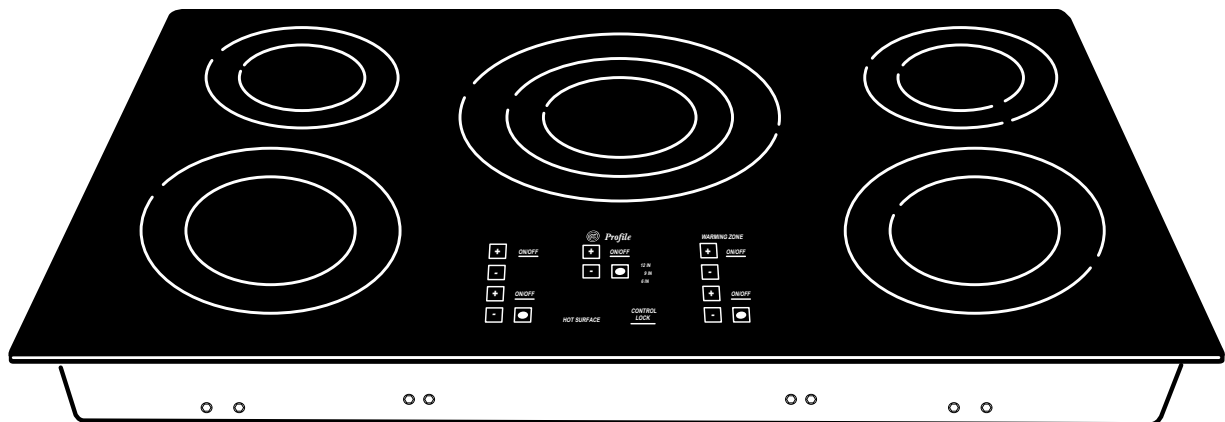
# Introduction

The new electronic cooktops make an eloquent statement of style, convenience, and kitchen planning flexibility. The electronic touch controls are simple to understand and easy to operate—just read and touch.

## Model Number PP945



## Model Number PP975



These cooktops include many helpful features:

- The controls lockout feature protects against power activation to a heating element during times of unintended usage or when cleaning the cooktop.
- The new warming feature keeps sauces and gravies warm (Model PP975).

The information on the following pages will help you service these new electronic cooktops effectively and efficiently.

# Installation

## Electrical Requirements

### GROUNDING SPECIFICATIONS

Ground Path Resistance 0.10  $\Omega$  Max.  
Insulation Resistance 250K  $\Omega$  Min.

### POWER SUPPLY REQUIREMENTS

The cooktop must be connected to a supply circuit of the proper voltage and frequency as specified on the nomenclature tag. Wire size must conform to the National Electrical Code or the prevailing local code. The nomenclature tag is located on the bottom of the burner box.

### OVERCURRENT PROTECTION

Wall-Mounted Oven or Counter-Mounted Cooktops

NEC RATING	MAXIMUM KILOWATT RATING		
	208V	236V	240V
20 Amp	4.2	4.7	4.8
30 Amp	6.2	7.1	7.2
35 Amp	7.3	8.3	8.4
40 Amp	8.3	9.4	9.6
50 Amp	10.4	11.8	12.0

The branch circuit load for 1 wall-mounted oven or 1 counter-mounted cooktop is the rating on the nomenclature tag of the appliance.

The branch circuit load for a counter-mounted cooktop and not more than 2 wall-mounted ovens—all supplied from a single branch circuit and located in the same room—shall be computed by adding the nameplate ratings on the individual appliances and treating this total as equivalent to 1 range.

### WIRING

Built-in power leads are UL approved for connection to larger gauge household wiring. The insulation of these leads is rated at temperatures much higher than the temperature rating of household wiring. The current carrying capacity of a conductor is governed by the temperature rating of the insulation around the wire rather than the wire gauge alone.

**WARNING:** Improper connection of aluminum house wiring to these copper leads can result in a serious problem. Use only connectors designed for joining copper to aluminum and follow the manufacturer's recommended procedure closely.

### WIRING REQUIREMENTS

**WARNING:** This appliance must be properly grounded.

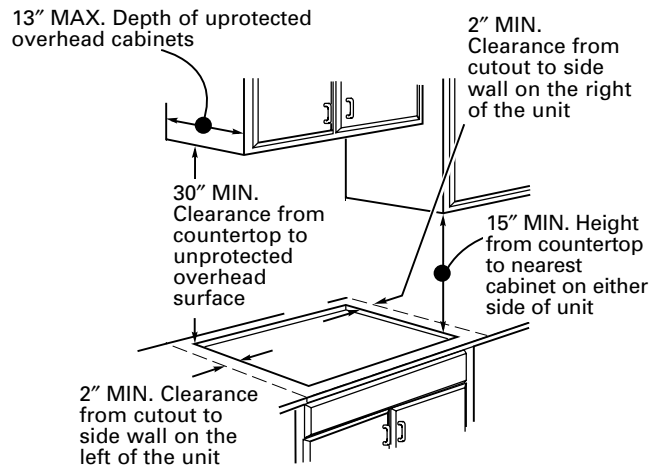
All cooktops must be hard wired (direct wired) into an approved junction box. The junction box must be easily reached through the front of the cabinet where the cooktop will be located. Allow considerable slack in the conduit for serviceability. A "plug and receptacle" is not permitted on these products.

You must use a 2-wire, 3-conductor, 208/240 VAC, 60 Hertz electrical system. A white (neutral) wire is not needed for this unit. The cooktop must be installed in a circuit that does not exceed 125 VAC nominal to ground.

Refer to the nomenclature tag on your cooktop for the KW rating for your cooktop.

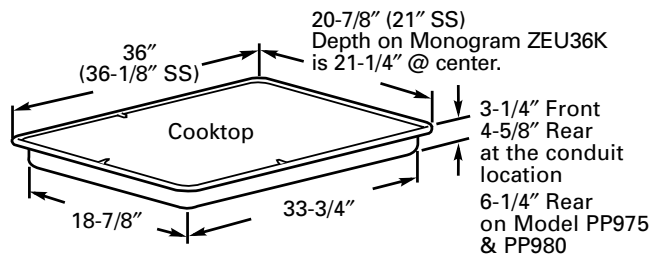
## Dimensions and Clearances

The following MINIMUM clearance dimensions must be maintained.

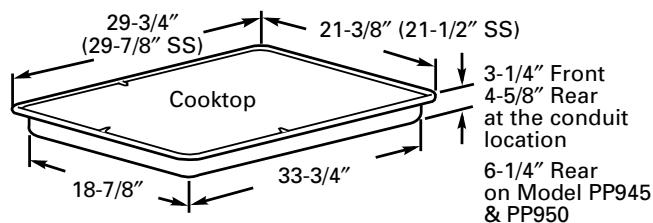


If a 30-inch clearance between the cooking surface and overhead combustible materials or metal cabinets cannot be maintained, a minimum clearance of 24 inches is required and the underside of the cabinets above the cooktop must be protected with not less than ¼-in. insulating millboard covered with sheet metal not less than 0.0122 inches thick.

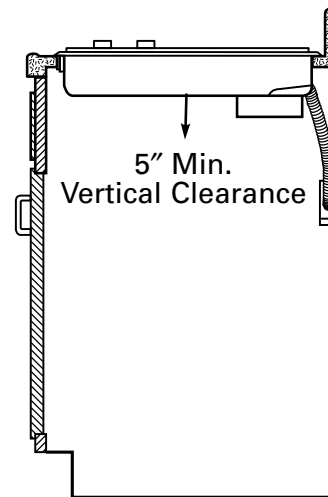
### Overall Cooktop Dimensions - 36-in. Models



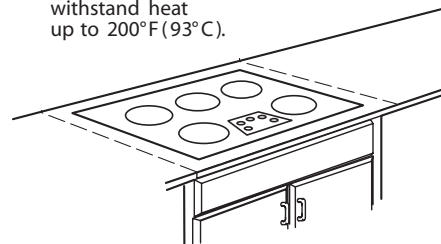
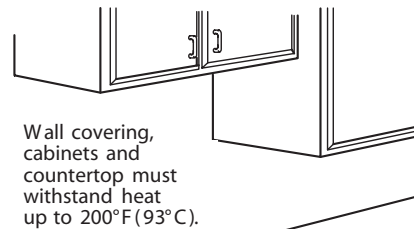
### Overall Cooktop Dimensions - 30-in. Models



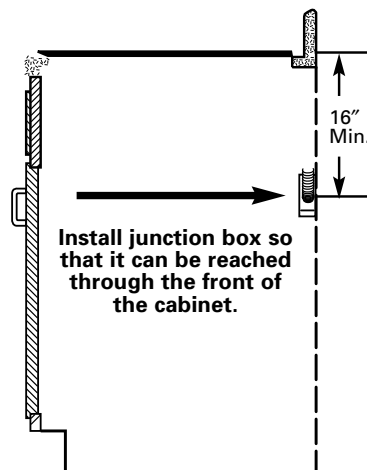
There must be 5 inches minimum vertical clearance between the cooktop bottom and any combustible surfaces.



Make sure the wall coverings, countertop and cabinets around the cooktop can withstand heat up to 200°F (93°C) generated by the cooktop.



**Note:** The junction box must be located where it will allow considerable slack in the conduit for serviceability.

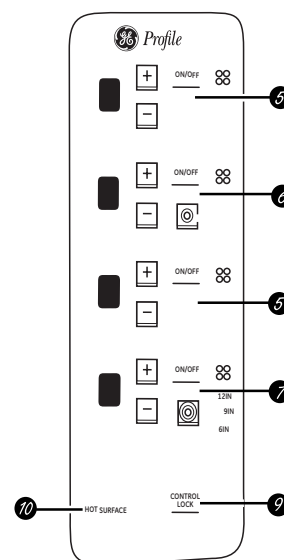
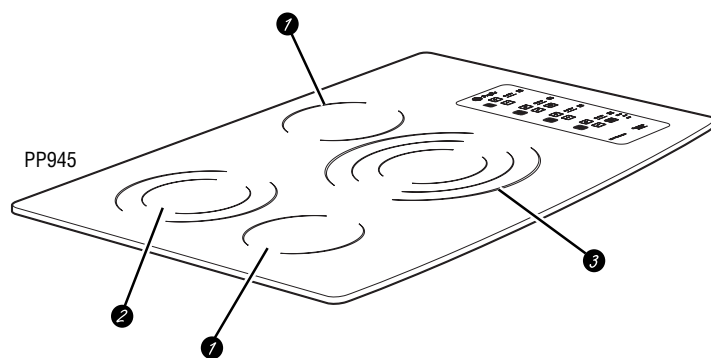
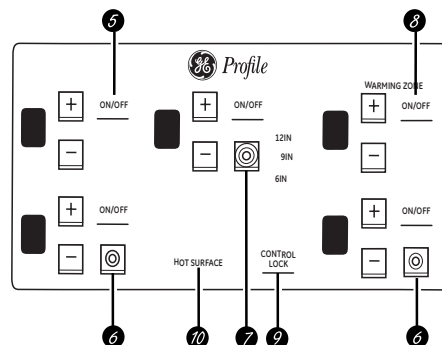
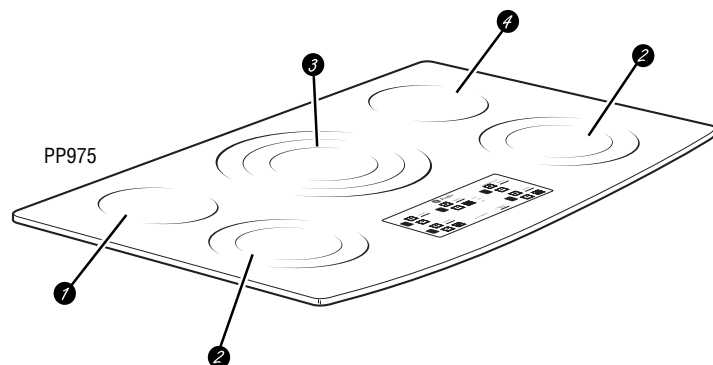


# Control Features

## Features of your cooktop.

ge.com

Throughout this manual, features and appearance may vary from your model.



<b>Feature Index (Features and appearances may vary.)</b>	<b>Explained on page</b>
① Single Surface Element	10
② Dual Surface Element	10
③ Tri-Ring Surface Element	10
④ Warming Zone Surface Element	11
⑤ Single Surface Element Control Pad	10
⑥ Dual Surface Element Control Pad	10
⑦ Tri-Ring Surface Element Control Pad	10
⑧ Warming Zone Element Control Pad	11
⑨ Control Lock Pad	11
⑩ Hot Surface Indicator Lights (one for each surface element)	9

(Continued next page)



## Using the surface elements.

Your new Profile Cooktop makes an eloquent statement of style, convenience, and kitchen planning flexibility. Whether you chose it for its purity of design, assiduous attention to detail, or for both of these reasons—you'll find that your Profile cooktop's superior blend of form and function will delight you for years to come.

The touch controls give you precise control of the surface elements. You can quickly switch between a steady low heat and full power or any setting in between. The information on the following pages will help you operate and maintain your cooktop properly.

**NOTE:** Throughout this manual, features and appearance may vary from your model.



Never cook directly on the glass.  
Always use cookware.



Always center the pan on the surface element you are using.



Do not slide cookware across the control or cooktop surface because it can scratch the glass. The glass is scratch-resistant, not scratchproof.

### About the radiant surface elements...

The radiant cooktop features heating elements beneath a smooth glass surface.

Cooktop temperatures increase with the number of surface elements that are on. With 3 or 4 elements turned on, cooktop temperatures are high. Always use caution when touching it.

The indicator lights will come on next to the Dual and Tri-Ring burners when activated. Lights also activate for the Control Lock feature when it is turned on. The indicator lights will go off when the surface element or feature is turned off.

The appropriate **HOT SURFACE** indicator light will glow when its corresponding radiant element is turned on and will remain on until the surface has cooled to approximately 150°F (66°C).

#### **NOTE:**

Hot surface indicator light will:

- Come on when the surface element is turned on.
- Stay on even after the element is turned off.
- Glow brightly until the element has cooled below 150°F (66°C).

**NOTE:** A slight odor is normal when a new cooktop is used for the first time. It is caused by the heating of new parts and insulating materials and will disappear in a short time.

It is safe to place hot cookware (from the oven or surface) on the glass cooktop when the surface is cool. **Never place cookware on the control area.**

Even after the surface elements are turned off, the glass cooktop retains enough heat to continue cooking. To avoid overcooking, remove pans from the surface elements when the food is cooked. Avoid placing utensils that could become hot or plastics that could melt on the surface element until it has cooled completely.

- Water stains (mineral deposits) are removable using the cleaning cream or full strength white vinegar.
- Use of window cleaner may leave an iridescent film on the cooktop. The cleaning cream will remove this discoloration.
- Don't store heavy items above the cooktop. If they drop onto the cooktop, they can cause damage.
- Do not use the surface as a cutting board.

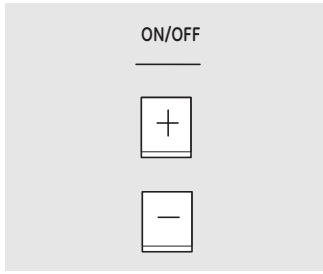
### Radiant Surface Elements

The controls for the radiant surface elements allow for 11 different heat settings: Low, 1–9 and High. The heating element may not visibly glow at low heat settings.

The surface heating element will cycle on and off to maintain your selected control setting.

Each radiant surface element has a temperature limiter which protects the glass cooktop from getting too hot.

(Continued next page)

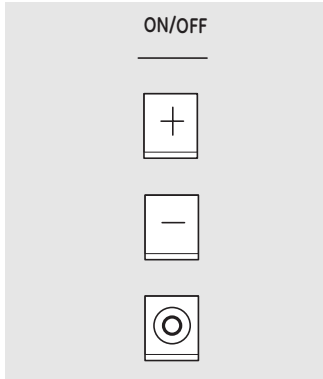


### Single Surface Element

To turn on a single surface element:


- 1 Touch the **ON/OFF** pad, then touch the (+)/(-) pad.
- 2 Use the (+)/(-) pad to choose the desired power setting. The control will beep each time a pad is touched.


To turn off a single surface element, touch the **ON/OFF** pad again.



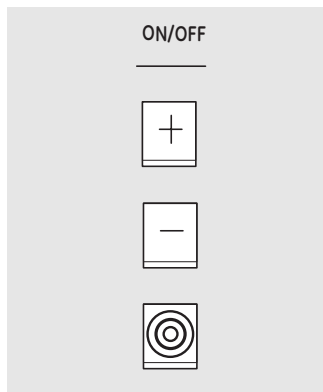
### Dual Surface Element

To turn on the surface elements:

- 1 Touch the dual surface element **ON/OFF** pad, then touch the (+)/(-) pad.
- 2 Use the (+)/(-) pad to set the desired power setting.
- 3 Touch the  pad once to alternate between large and small settings.


When the indicator light next to the  pad is on, the large surface element is on. When it is off, the small surface element is on.


To turn the dual surface element off, touch the **ON/OFF** pad.



### Tri-Ring Surface Element

To turn on the surface elements:

- 1 Touch the Tri-Ring surface element **ON/OFF** pad, then touch the (+)/(-) pad.
- 2 Use the (+)/(-) pad to set the desired power setting.
- 3 Touch the  pad to alternate between 12 in., 9 in. and 6 in. settings.

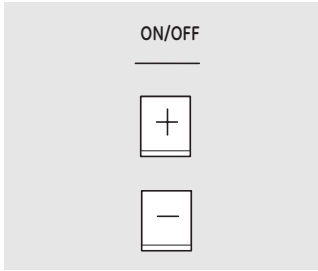
When one of the three surface elements is on, the corresponding indicator light next to the  pad will be lit.

To turn the Tri-Ring surface element off, touch the **ON/OFF** pad.

(Continued next page)

## Using the surface elements.

---



### **Warming Zone Surface Element** (on some models)

To turn on the warming zone surface element:

- 1 Touch the warming zone **ON/OFF** pad, then touch the **(+)**/**(-)** pad.
- 2 Use the **(+)**/**(-)** pad to choose a setting of H (High) or L (Low).

To turn off the warming zone surface element, touch the **ON/OFF** pad.

---

### **Error During Operation**

If an error occurs in the control operation, the cooktop operation will discontinue and the unit will shut down completely.

#### **To correct:**

- 1 Attempt to set the control to the desired cooking setting.
- 2 Allow the cooktop to cool completely.
- 3 After the cooktop cools, attempt to set the control to the desired cooking setting.

- 4 If the cooktop will not operate, turn off the cooktop power at the circuit breaker or fuse box for one minute.
  - 5 After one minute, turn on the cooktop power at the breaker and again attempt to set the control to the desired cooking setting.
  - 6 If the cooktop fails to operate, call for service.
- 

## CONTROL LOCK

---

### **How to Lock the Cooktop**

**IMPORTANT:** As a convenience, you can lock the entire cooktop at any time when it is not in use or before cleaning. Locking the cooktop will prevent surface elements from being turned on accidentally.

#### **To lock the cooktop:**

Touch and hold the **CONTROL LOCK** pad for 3 seconds.

A three-beep signal will sound and the Control Lock light will turn on,

indicating that the cooktop is locked. If the cooktop is locked while the surface elements or timer are in use, they will automatically turn off.

#### **To unlock:**

Touch and hold the **CONTROL LOCK** pad again for 3 seconds.

A three-beep signal will sound, and the Control Lock light will go out, indicating that the cooktop is unlocked.

---

# Operation Overview

## DIGITAL CONTROL SYSTEM

The digital control system consists of 3 circuit boards:

1. The touch board (permanently adhered to the ceramic glass panel) senses user input, including control lockout, displays user settings, contains HOT lights and key touch beeper. It is the "Main" board for the system.
2. The relay power supply module (RPSM), located inside the drop box, provides DC for touch board communications and to relays controlling the heating elements.
3. The daughter relay module (DRM) with additional relays is located under the touch board. The touch board communicates with the RPSM board via 12-volt serial bus. The RPSM communicates with the DRM via individual 5-volt and 12-volt DC levels.

There are no electronic sensors. Traditional-style sensors are located in the radiant elements providing over-temperature protection cycling and HOT lamp input to the RPSM board.

## ELEMENT CONTROL

Each element is controlled by at least 2 relays. Both L1 and L2 are disconnected from the radiant elements during standby (except the HOT lamp limiter switch). The setup relays remain constantly energized during burner use. The cycle relays provide the duty cycling during non-HI settings. When non-Hi levels are selected, the burners' cycle relay will cycle 3 times per minute. When higher levels are selected, some cycling of the element will occur due to the overtemperature limiter in the radiant element, which is in series with the relays.

## BURNER TOUCH KEYS

In standby, only the ON/OFF keys (and LOCK key) should respond. The +, -, and pan-size keys should not respond until after the ON/OFF key has been touched first.

## HOT LIGHT CHECK

The HOT lights are LEDs within the touch board. They are commanded "on" via serial bus responses from the RPSM board to the touch board.

A HOT light glows from two sources:

1. Whenever a burner is activated, the HOT light is immediately on.
2. When the temperature of a ribbon heating element exceeds 150°F (66°C), the HOT light is on. At temperatures over 150°F (66°C), the element's limiter switch closes, sending 240 VAC to the RPSM input at J21 and initiating the serial bus response.

When the burner is cool to the touch and in standby, the HOT light should be off. When the burner is first activated, HOT should glow immediately. If a burner has been on for approximately 1 minute (5 minutes for model JP975), then returned to standby, the HOT light should remain on until cool.

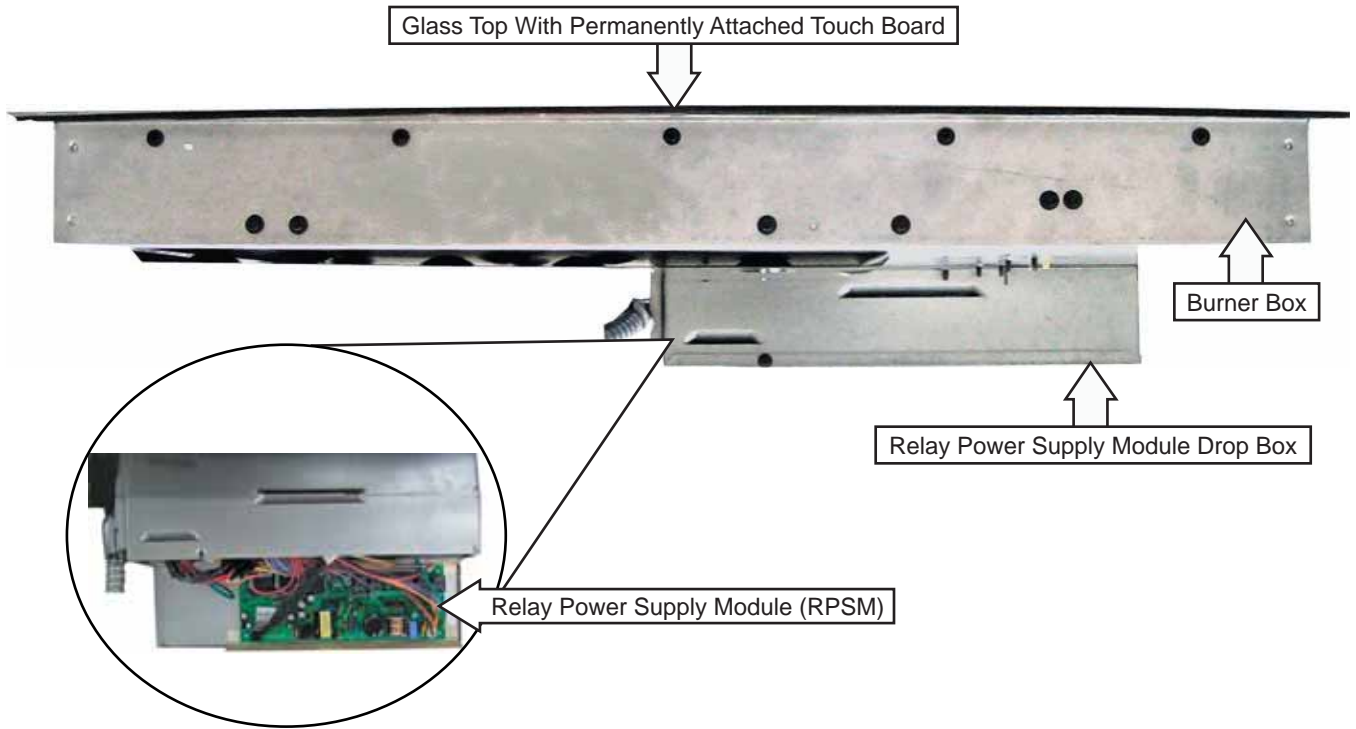
**Note:** Due to the low wattage rating, the warming zone surface element (JP975) will not glow red even when on highest heat setting. The warming zone surface element (JP975) *does not* utilize an overtemperature limiter switch.

## DEMO MODE

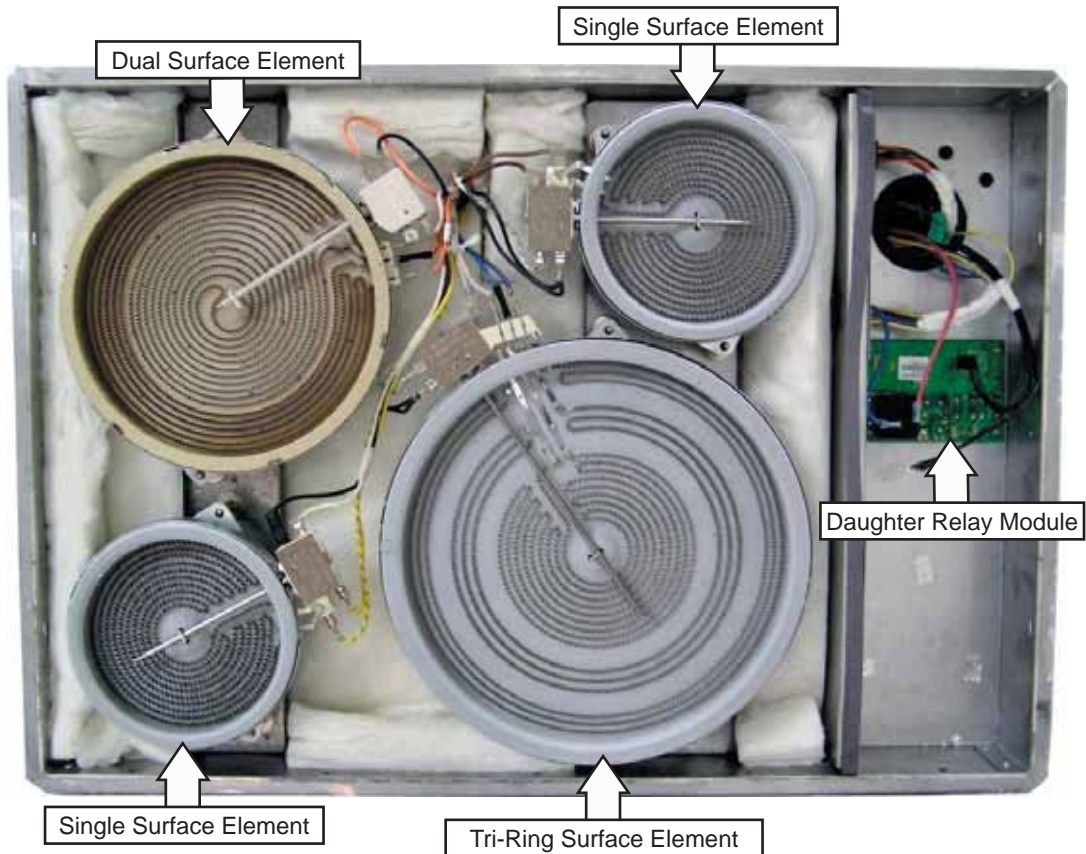
When 120 VAC is applied to the unit between the black and red leads, the touch board will operate normally, but the relays and elements are prevented from operating.

# Component Locator Views

Front View (Model PP945)

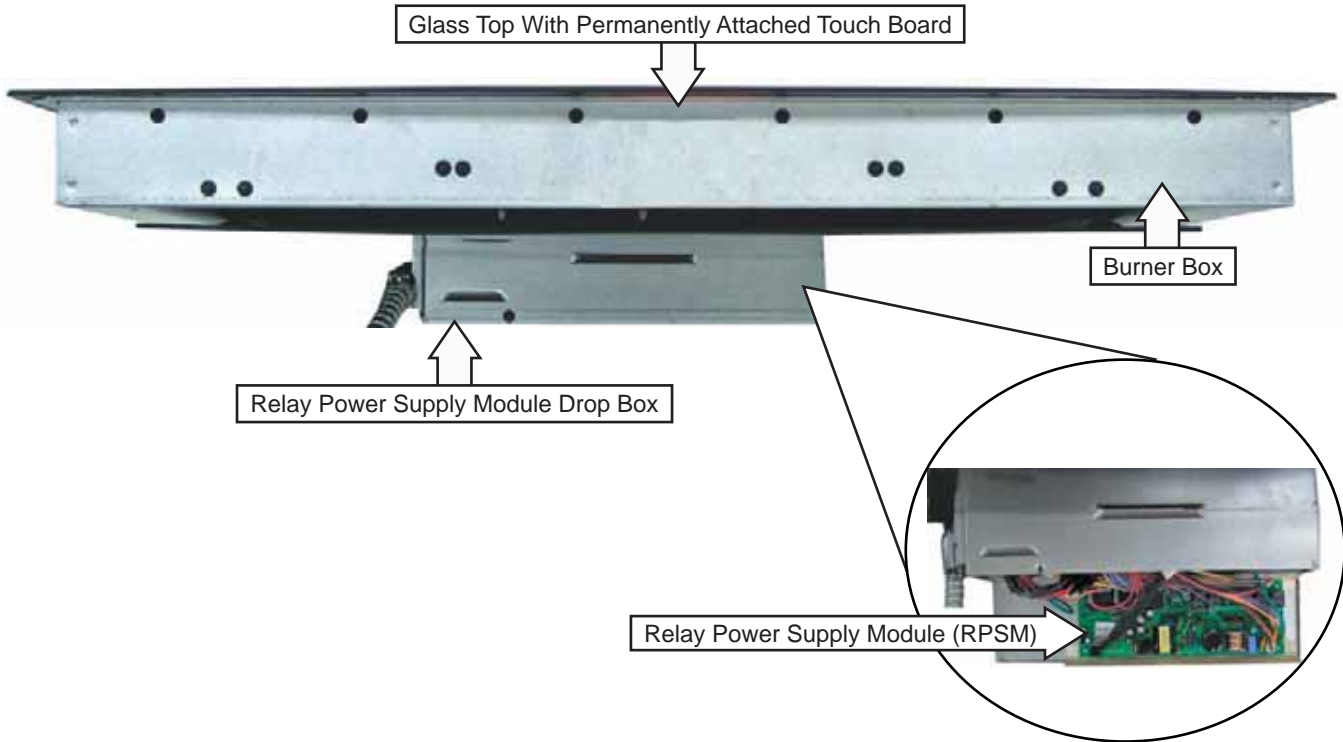


Top View - Glass Top Removed

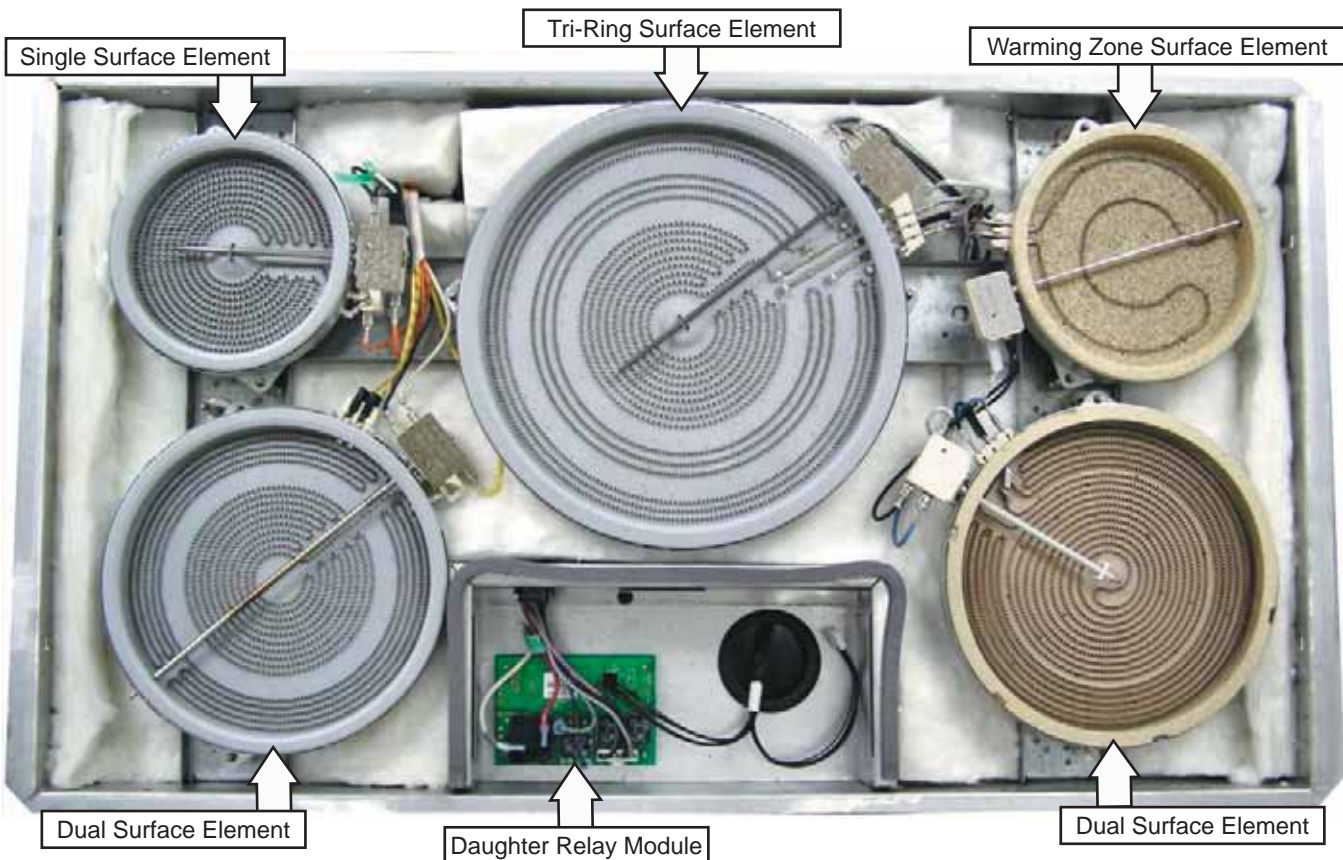


(Continued next page)

# Front View (Model 975PP)



# Top View - Glass Top Removed



# Cooktop Components

**WARNING:** Before servicing the cooktop, power must be removed from the cooktop by turning the power off at the circuit breaker.

**WARNING:** Sharp edges may be exposed when servicing. Use caution to avoid injury. Wear Kevlar gloves or equivalent protection.

## Cooktop Removal From Countertop

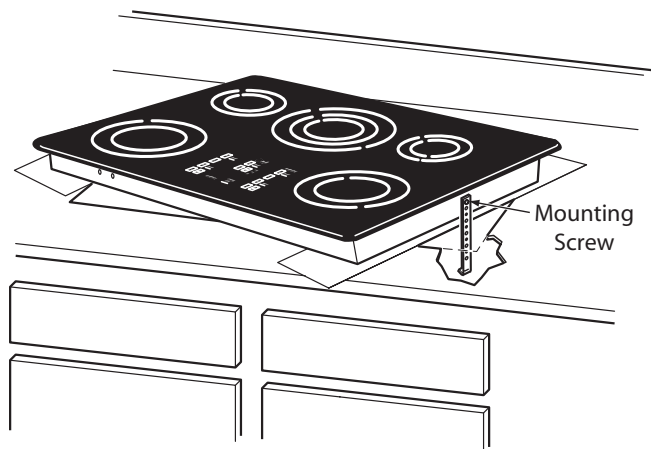
To remove the cooktop from the countertop:

**Caution:** The hold-down brackets and screws on the bottom of the burner box can damage the countertop surface. Use care to protect the countertop appearance.

1. Remove screws that attach the hold-down brackets to the inside of the cabinet.

**Note:** In the following step, it will be necessary to utilize 2 strips of wood or cardboard.

2. Push upward on the bottom of the burner box approximately 4 in. and rotate slightly left or right (to the best working advantage). Shim under the burner box with protective wood or cardboard as shown.
3. Remove the mounting screw and hold-down bracket from each side of the cooktop.



## Glass Top

**Note:** The ceramic glass top and touch board will be supplied as a complete assembly. If the touch board is damaged or defective, the entire glass top assembly must be replaced.

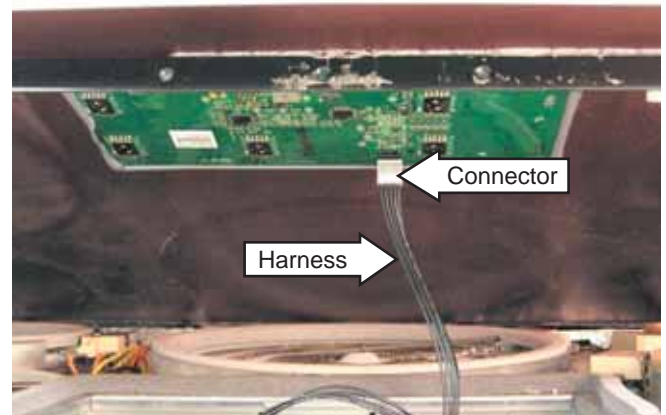
To replace the glass top:

**Caution:** To prevent electrostatic discharge that can damage electronic controls, ground yourself to the metal burner box or use an ESD wristband.

1. Remove the cooktop from the countertop. (See *Cooktop Removal From Countertop*.)
2. Remove all screws along the top edge on all 4 sides of the burner box.



3. Slowly lift the front of the glass top (PP975), or the right side of the glass top (PP945), approximately 6 inches.
4. With the glass top tilted at an angle, disconnect the wire harness that extends from the daughter relay module (DRM) to the user interface by pulling downward on the connector. **Do not pull on the wires.**



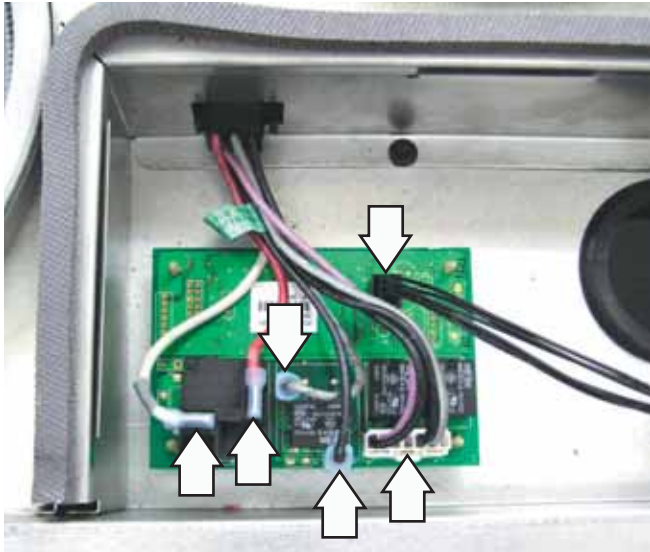
Model PP975 Shown

5. Remove the glass top from the burner box. Place the glass top on a protected surface.

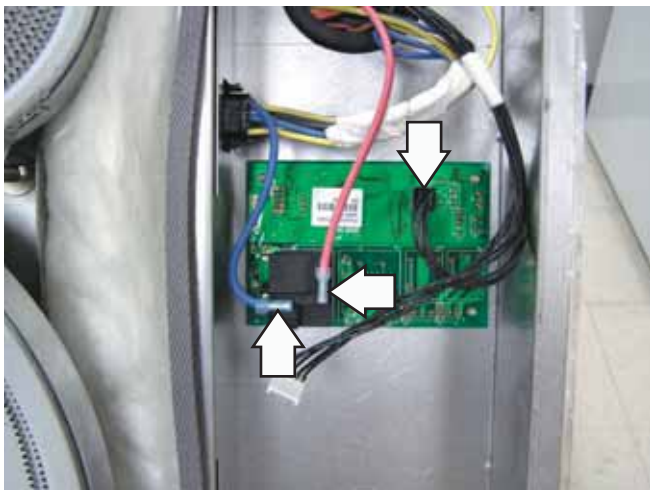
## Daughter Relay Module (DRM)

To replace the DRM:

1. Remove the glass top. (See *Glass Top*.)
2. Mark and disconnect wiring from the module.



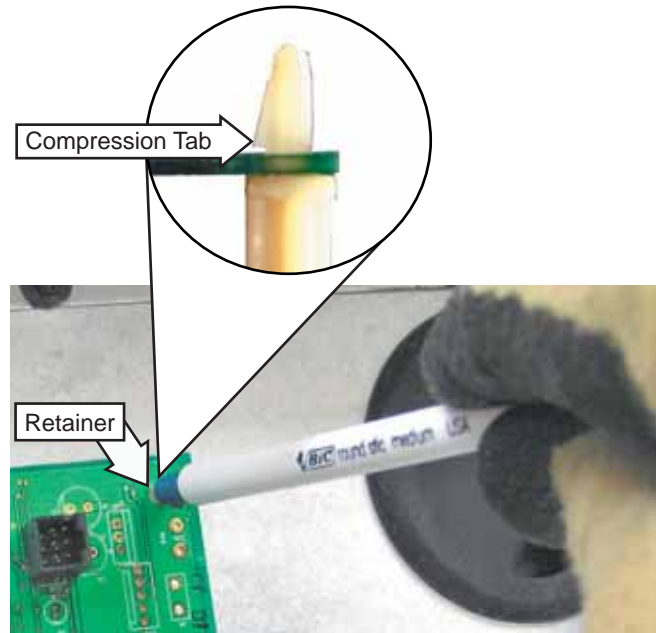
Model PP975



Model PP945

**Note:** The module is held in place by 4 retainers that lock the board in place using compression tabs. It may be helpful to remove the ink tube from an inexpensive ballpoint pen and place the barrel of the pen over each retainer to compress the tab.

3. Compress the 4 tabs and lift the module from the recess in the burner box.





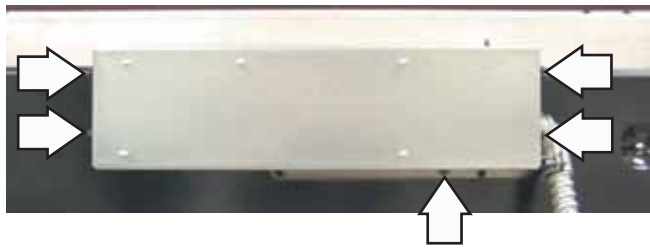
## Relay Power Supply Module (RPSM)

If the RPSM is damaged or defective, it can be accessed by opening the drop box that is under the cooktop.

**Note:** If the drop box is inaccessible, it will be necessary to remove the cooktop from the countertop. (See *Cooktop Removal from Countertop*.) Place the cooktop upside down on a protected surface.

### To replace the RPSM:

1. Remove the five ¼-in. hex-head screws from the drop box cover.



2. Lift the cover up (or pull down if cooktop is installed) and rotate it towards the rear of the cooktop.



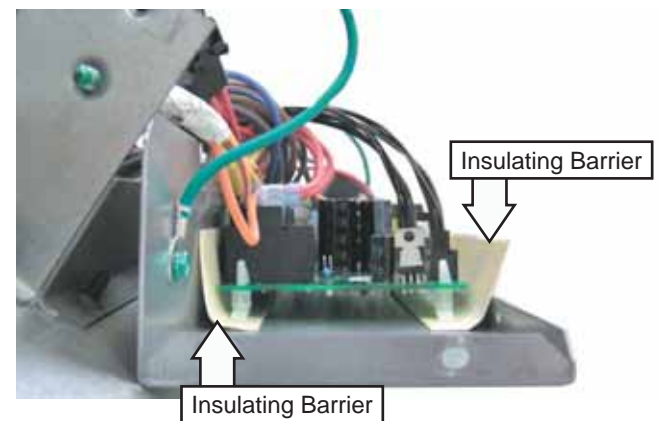
3. Mark and disconnect wiring from the module.

**Note:** The module is held in place by 5 retainers that lock the board in place using compression tabs. It may be helpful to remove the ink tube from an inexpensive ballpoint pen and place the barrel of the pen over each retainer to compress the tab. (See photo in *Daughter Relay Module (DRM)*.)

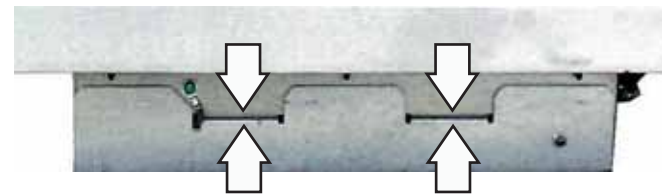
4. Compress the 5 tabs and lift the module from the drop box cover.

### Caution:

- When reinstalling the cover on the drop box, ensure that the 2 insulating barriers are positioned inside the drop box and against the sides of the circuit board.
- Make certain wiring is not pinched between the cover and drop box.

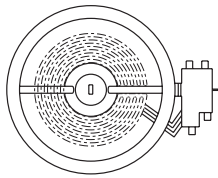


**Note:** Make sure the 2 drop box cover tabs are engaged in the drop box before replacing screws.

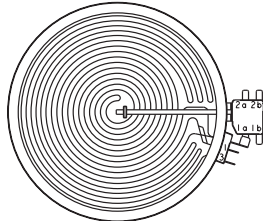


## Heating Elements

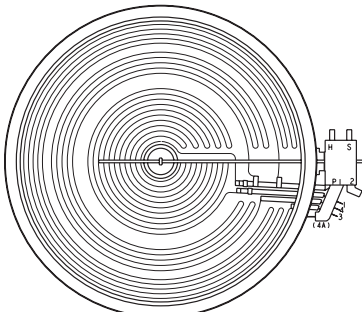
The radiant heating element consists of a ribbon-type resistance wire attached to the support insulation with molded ceramic walls in a corrosion-protected metal dish. On model PP975, the circular heating elements come in 5 sizes.



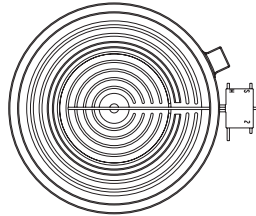
Single Element



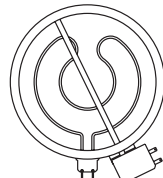
Dual Element



Tri-Ring Element

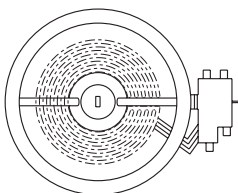


Dual Element

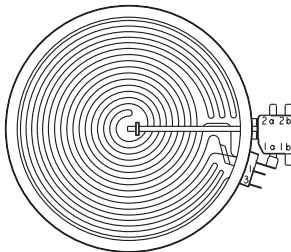


6-in. Warmer

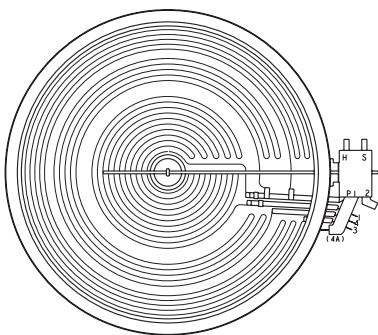
On model PP945, the circular heating elements come in 3 sizes.



Single Element



Dual Element

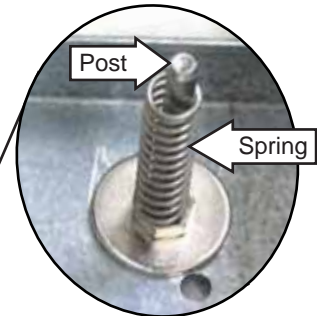


Tri-Ring Element

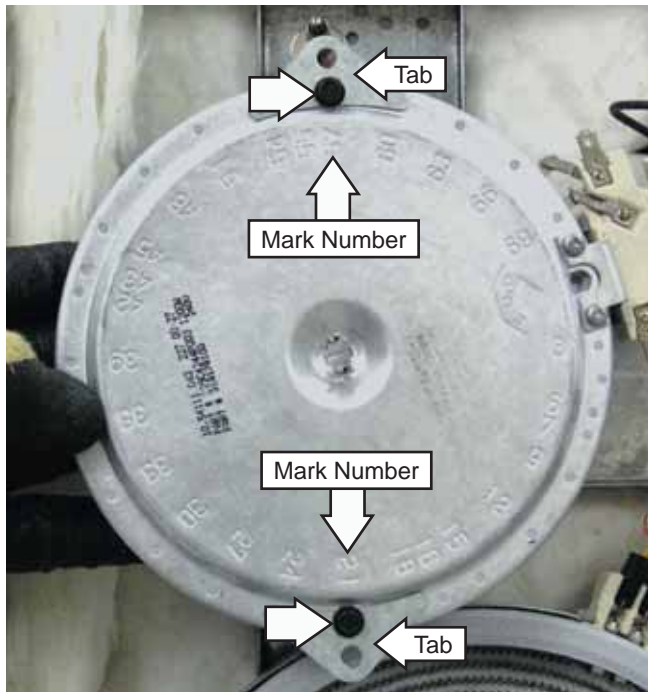
To remove heating elements:

1. Remove the glass top. (See *Glass Top*.)
2. Mark and remove the wires to the element.
3. Lift the element off the springs.

**Note:** When installing the new heating element, make sure the 2 springs are on the 2 posts.



4. Mark the numbers on the bottom of the element next to the tabs.
5. Remove the two ¼-in. hex-head screws and tabs. Install them on the new element in the same numbered position.



# Diagnostics and Service Information

## Component Quick Reference Troubleshooting

	Unit Totally Dead	No Heat On Any Element	Non Tri-Ring Element-Keys Function	Tri-Ring Element Inoperative	Hot Light Inoperative	Hot Light Inoperative at Start-up	Hot Light Inoperative - Glass Hot	Hot Light Stays On - Glass Cool
Supply Voltage	●	●						
Wiring	●	●		●	●	●		●
RPSM	●	●		●	●	●		●
Touch Board	●	●	●				●	●
DRM					●	●		
Element				●	●	●		●

**DEAD UNIT:** Turn off circuit breaker, wait 30 seconds, and turn circuit breaker on. Proceed to tests below.

**DISPLAY CHECK:** Turn burner on Level 8. All segments should light. Set 4 burners to 1, 2, 5, and 8. Check for proper digit displays. When power is first applied, all the segments light in a sequence. Check for a consistent pattern, none missing or doubled up.

**VERSION DISPLAY:** When the power is first applied, after the display test sequence, the 4-digit version number of the touch board is momentarily shown in the display.

**TOUCH KEYS IN GENERAL:** Keys should respond to a grounded surface on the glass of 0.350-inch diameter, which is the model for a finger. Keys should not respond to a grounded surface less than 0.130-inch diameter. Water, etc., on the keys may cause them to not respond correctly because of unwanted ground coupling. However, the OFF function will respond regardless of contamination. If the contamination is severe enough to completely prevent touch key response, supervisory functions will turn off the burner. Removing the contamination should restore proper key operation. After cleaning the keypad glass (ensure the keypad is clean and dry), wait 30 - 60 seconds for keypad sensitivity to stabilize. A gap or moisture between the touch board and glass will affect touch key performance. If this occurs, the glass assembly should be replaced.

## Element Resistance Troubleshooting

**WARNING:** The power must be disconnected from the cooktop.

The resistance of certain elements and the continuity of certain element circuit wiring can be tested without removing the cooktop from its installation. This test will aid the service technician in determining if the RPSM or the DRM should be replaced. **This test assumes the touch board functions properly.**

### Model PP945

Component	Ohms	Test Location	Open Circuit Correction
Left Rear 1100W Inner Element*	50 $\Omega$	RPSM J2 to K7 Orange	Check Element and wiring. Both OK - replace RPSM
Left Rear 1300W Outer Element*	43 $\Omega$	RPSM J7-2 to K7 Orange	Check Element and wiring. Both OK - replace RPSM
Left Front 1200W Element*	45 $\Omega$	RPSM J7-12 to K10 Yellow	Check Element and wiring. Both OK - replace RPSM
Right Front 1050W Inner Element**	52 $\Omega$	RPSM J7-1 to DRM K7 Blue	Check Element and wiring. Both OK - replace DRM
Right Front 900W Center Element**	61 $\Omega$	RPSM J7-3 to DRM K7 Blue	Check Element and wiring. Both OK - replace DRM
Right Front 1050W Outer Element**	53 $\Omega$	RPSM J7-4 to DRM K7 Blue	Check Element and wiring. Both OK - replace DRM
Right Rear 1200W Element*	46.5 $\Omega$	RPSM J7-8 to K14 Brown	Check Element and wiring. Both OK - replace RPSM

### Model PP975

Component	Ohms	Test Location	Open Circuit Correction
Left Rear 1200W Element*	46 $\Omega$	RPSM J7-2 Orange/Black to K14 Orange	Check Element and wiring. Both OK - replace RPSM
Left Front 1000W Inner Element*	56.2 $\Omega$	RPSM J7-4 Yellow/Black to K10 Yellow	Check Element and wiring. Both OK - replace RPSM
Left Front 1200W Outer Element*	46.2 $\Omega$	RSPM J7-1 Yellow/Red to K10 Yellow	Check Element and wiring. Both OK - replace RPSM
Center 1050W Inner Element**	51.5 $\Omega$	DRM J2 to K7 Gray	Check Element and wiring. Both OK - replace DRM
Center 900W Center Element**	61.3 $\Omega$	DRM J6-2 Gray/White to K7 Gray	Check Element and wiring. Both OK - replace DRM
Center 1050W Outer Element**	52.3 $\Omega$	DRM J6-6 Violet to K7 Gray	Check Element and wiring. Both OK - replace DRM
Right Front 1100W Inner Element*	51.3 $\Omega$	RPSM J7-8 Blue/White to K7 Blue	Check Element and wiring. Both OK - replace RPSM
Right Front 1300W Outer Element*	42.8 $\Omega$	RPSM J2 to K7 Blue	Check Element and wiring. Both OK - replace RPSM
Right Rear 120W Element*	0.5 $\Omega$	RPSM J7-12 Brown to J7-3 Brown/White	Check Element and wiring. Both OK - replace RPSM

\* Requires opening the drop box.

\*\* Requires removing cooktop from it's installation and removing glass top.

## Element Hot Light Troubleshooting

Each element's hot light limiter switch and its wiring can be tested without removing the cooktop from its installation. This test will aid the service technician in determining if the element should be replaced. This test assumes the elements heat properly.

All circuits **below** element's glass top temperature of 150°F (66°C) should test open. If circuit tests 0 resistance, replace element.

All circuits **above** element's glass top temperature of 150°F (66°C) should test 0 resistance. If open, check wiring and replace element, if necessary. Operate element, if necessary, then disconnect power before testing cooktop.

Model PP 945	Test Location
Left Rear Element*	RPSM J2 to J21-3
Left Front Element*	RPSM L1 to J21-2
Right Front Element*	RPSM L1 to J21-4
Right Rear Element*	RPSM J2 to J21-1

Model PP 975	Test Location
Left Rear Element*	RPSM L1 to J21-1
Left Front Element*	RPSM L1 to J21-2
Center Element*	RPSM L1 to J21-4
Right Front Element*	RPSM L1 to J21-3
Right Rear Element*	RPSM L1 to J21-5

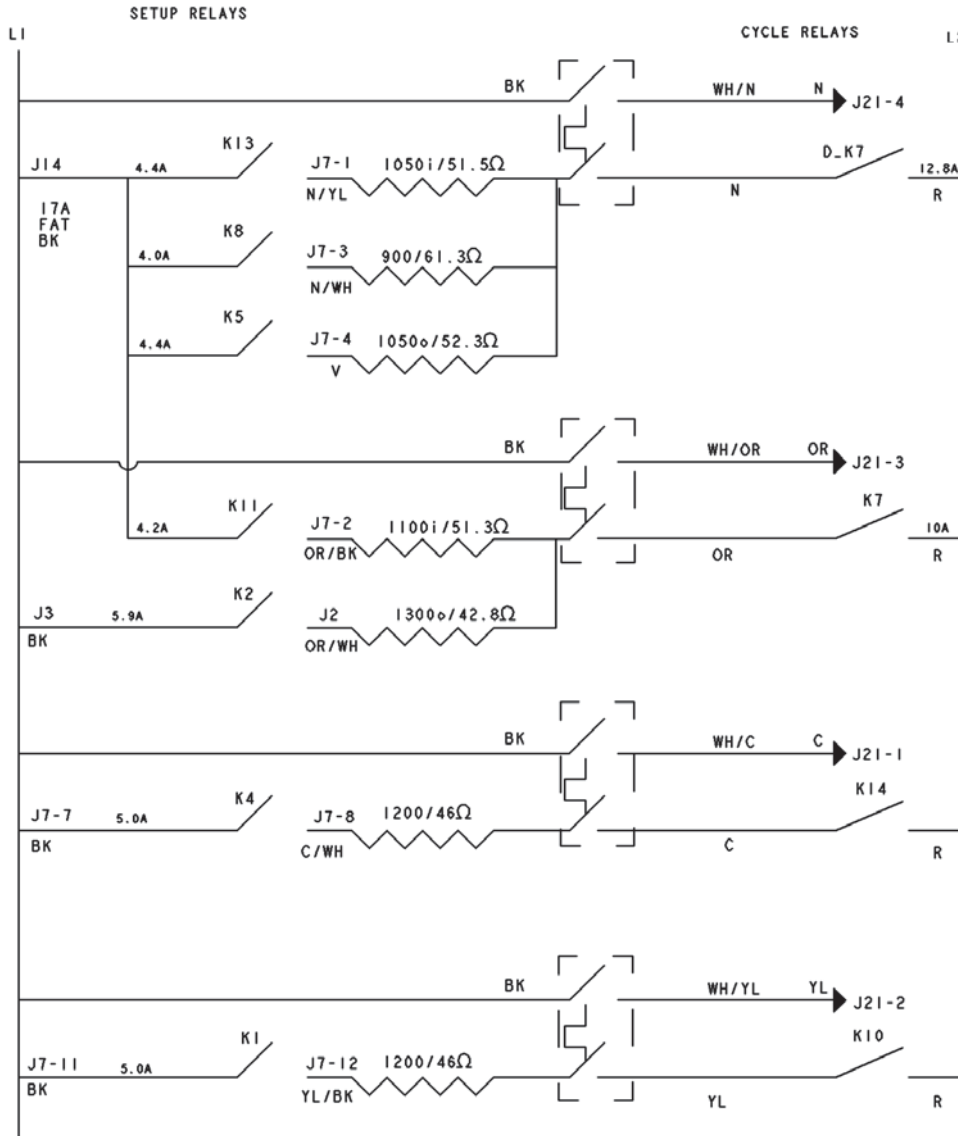
\* Requires opening the drop box.



# WIRING DIAGRAM MODEL PP945

WIRING DIAGRAM  
WARNING  
POWER MUST BE DISCONNECTED  
BEFORE SERVICING THE APPLIANCE

N/YL=BLUE+YELLOW WIRE  
N/WH=BLUE+WHITE WIRE  
V=PURPLE WIRE  
OR/BK=ORANGE+BLACK WIRE  
OR/WH=ORANGE+WHITE WIRE  
C/WH=BROWN+WHITE WIRE  
YL/BK=YELLOW+BLACK WIRE  
N=BLUE WIRE  
OR=ORANGE WIRE  
C=BROWN WIRE  
YL=YELLOW WIRE  
R=RED WIRE  
BK=BLACK WIRE  
WH/N=WHITE+BLUE WIRE  
WH/OR=WHITE+ORANGE WIRE  
WH/C=WHITE+BROWN WIRE  
WH/YL=WHITE+YELLOW WIRE



RF/3000W

LR/2400W

RR/1200W

LF/1200W

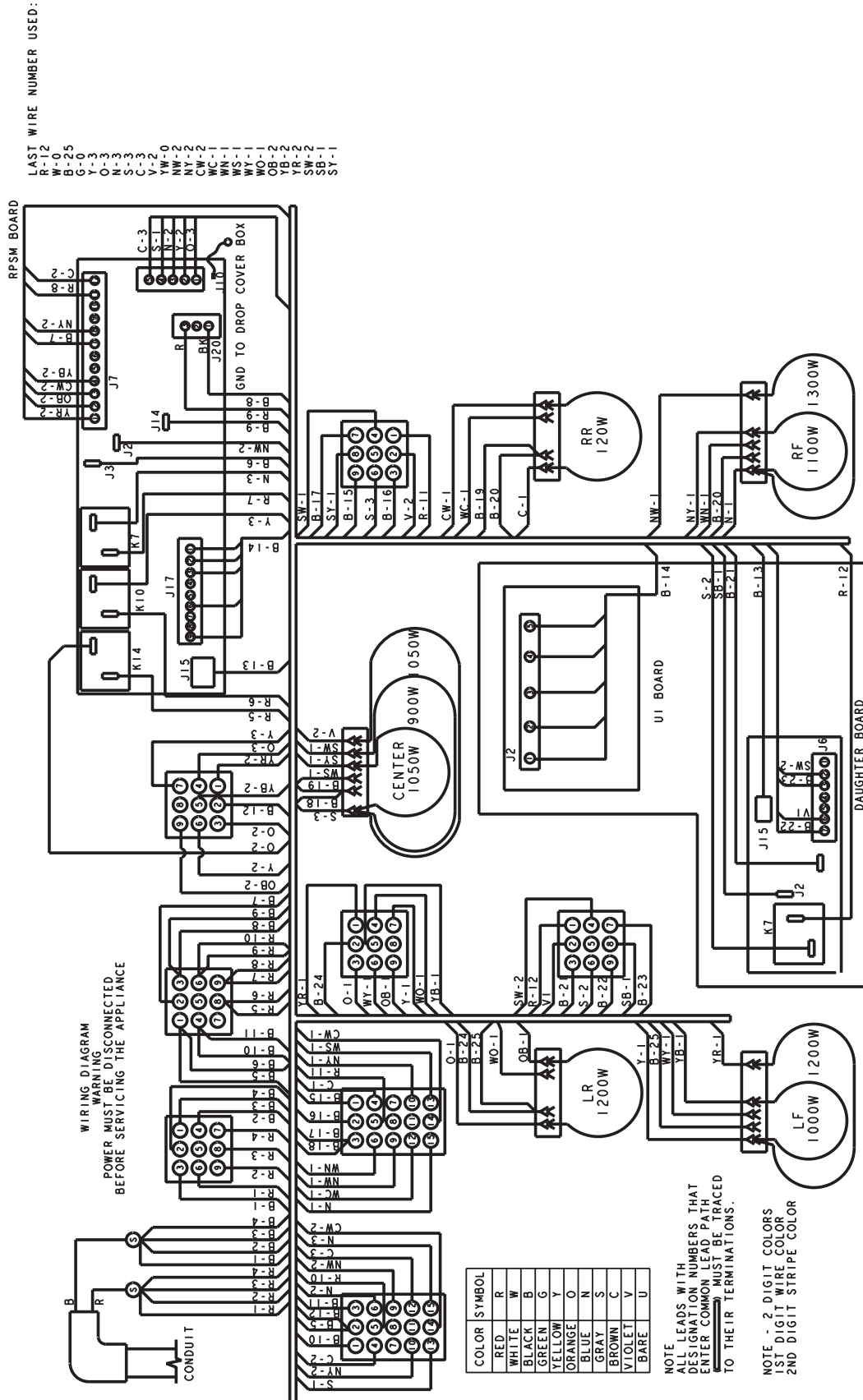
D\_ INDICATES RELAYS AND TERMINALS ON DAUGHTER BOARD (DRM).  
WHERE TERMINAL NUMBERS NOT SHOWN MEANS TERMINALS ARE ON TOP OF SHOWN  
RELAY.  
"i", "o" MEANS INNER OR OUTER RING.



# MODEL PP975 - ELEMENT 240 VAC SCHEMATIC

**WARNING:** Disconnect electrical power before servicing.

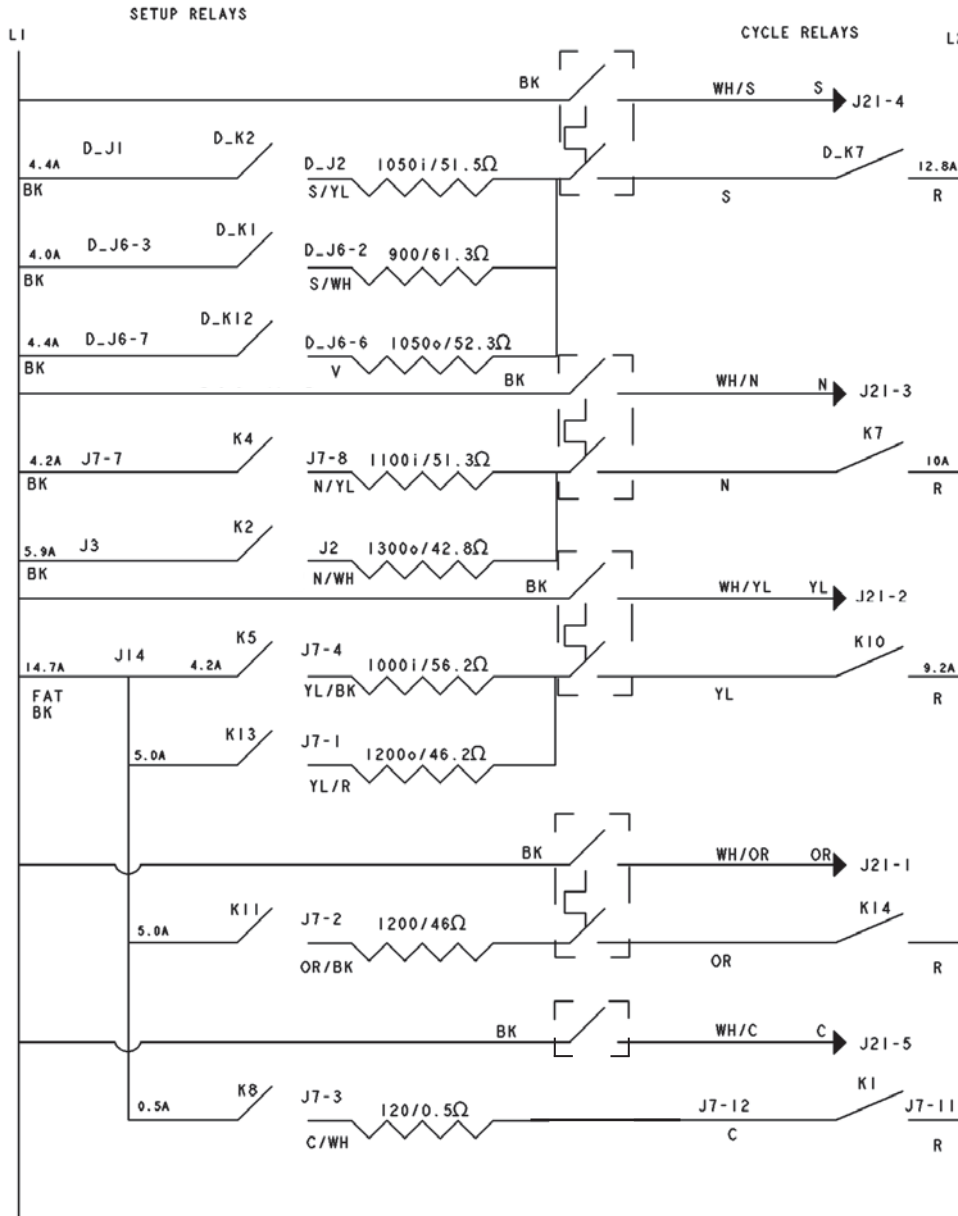
**Caution:** Label all wires prior to disconnection. Wiring errors can cause improper and dangerous operation. Verify operation after servicing.



# WIRING DIAGRAM MODEL PP975

WIRING DIAGRAM  
WARNING  
POWER MUST BE DISCONNECTED  
BEFORE SERVICING THE APPLIANCE

S/YL=GREY+YELLOW WIRE  
S/BK=GREY+BLACK WIRE  
BK=BLACK WIRE  
S/WH=GREY+WHITE WIRE  
V=PURPLE WIRE  
N/WH=BLUE+WHITE WIRE  
N/YL=BLUE+YELLOW WIRE  
YL/R=YELLOW+RED WIRE  
OR/BK=ORANGE+BLACK WIRE  
C/WH=BROWN+WHITE WIRE  
R=RED WIRE  
S=GREY WIRE  
N=BLUE WIRE  
YL=YELLOW WIRE  
OR=ORANGE WIRE  
C=BROWN WIRE  
WH/S=WHITE+GREY WIRE  
WH/N=WHITE+BLUE WIRE  
WH/YL=WHITE+YELLOW WIRE  
WH/OR=WHITE+ORANGE WIRE  
WH/C=WHITE+BROWN WIRE



CTR/3000W

RF/2400W

LF/2200W

LR/1200W

RR/120W

D\_ INDICATES RELAYS AND TERMINALS ON DAUGHTER BOARD (DRM).  
WHERE TERMINAL NUMBERS NOT SHOWN MEANS TERMINALS ARE ON TOP OF SHOWN  
RELAY.

# Warranty



All warranty service provided by our Factory Service Centers, or an authorized Customer Care® technician. To schedule service, on-line, 24 hours a day, visit us at [ge.com](http://ge.com), or call 800.GE.CARES (800.432.2737). Please have serial number and model number available when calling for service.

Staple your receipt here. Proof of the original purchase date is needed to obtain service under the warranty.

For The Period Of:	GE Will Provide:
<b>One Year</b> From the date of the original purchase	<b>Any part</b> of the cooktop which fails due to a defect in materials or workmanship. During this <b>limited one-year warranty</b> , GE will also provide, <b>free of charge</b> , all labor and in-home service to replace the defective part.
<b>Five Years</b> From the date of the original purchase	<b>A replacement glass cooktop</b> if it should crack due to thermal shock, discolor, or if the pattern wears off. <b>A replacement radiant surface element</b> if it should burn out. During this <b>limited additional four-year warranty</b> , you will be responsible for any labor or in-home service.

## What GE Will Not Cover:

- Service trips to your home to teach you how to use the product.
- Improper installation, delivery or maintenance.
- Failure of the product if it is abused, misused, or used for other than the intended purpose or used commercially.
- Damage to the glass cooktop caused by use of cleaners other than the recommended cleaning creams and pads.
- Damage to the glass cooktop caused by hardened spills of sugary materials or melted plastic that are not cleaned according to the directions in the Owner's Manual.
- Replacement of house fuses or resetting of circuit breakers.
- Damage to the product caused by accident, fire, floods or acts of God.
- Incidental or consequential damage caused by possible defects with this appliance.
- Damage caused after delivery.
- Product not accessible to provide required service.

**EXCLUSION OF IMPLIED WARRANTIES**—Your sole and exclusive remedy is product repair as provided in this Limited Warranty. Any implied warranties, including the implied warranties of merchantability or fitness for a particular purpose, are limited to one year or the shortest period allowed by law.

This warranty is extended to the original purchaser and any succeeding owner for products purchased for home use within the USA. If the product is located in an area where service by a GE Authorized Servicer is not available, you may be responsible for a trip charge or you may be required to bring the product to an Authorized GE Service location for service. In Alaska, the warranty excludes the cost of shipping or service calls to your home.

Some states do not allow the exclusion or limitation of incidental or consequential damages. This warranty gives you specific legal rights, and you may also have other rights which vary from state to state. To know what your legal rights are, consult your local or state consumer affairs office or your state's Attorney General.

**Warrantor: General Electric Company, Louisville, KY 40225**

## Free Manuals Download Website

<http://myh66.com>

<http://usermanuals.us>

<http://www.somanuals.com>

<http://www.4manuals.cc>

<http://www.manual-lib.com>

<http://www.404manual.com>

<http://www.luxmanual.com>

<http://aubethermostatmanual.com>

Golf course search by state

<http://golfingnear.com>

Email search by domain

<http://emailbydomain.com>

Auto manuals search

<http://auto.somanuals.com>

TV manuals search

<http://tv.somanuals.com>