

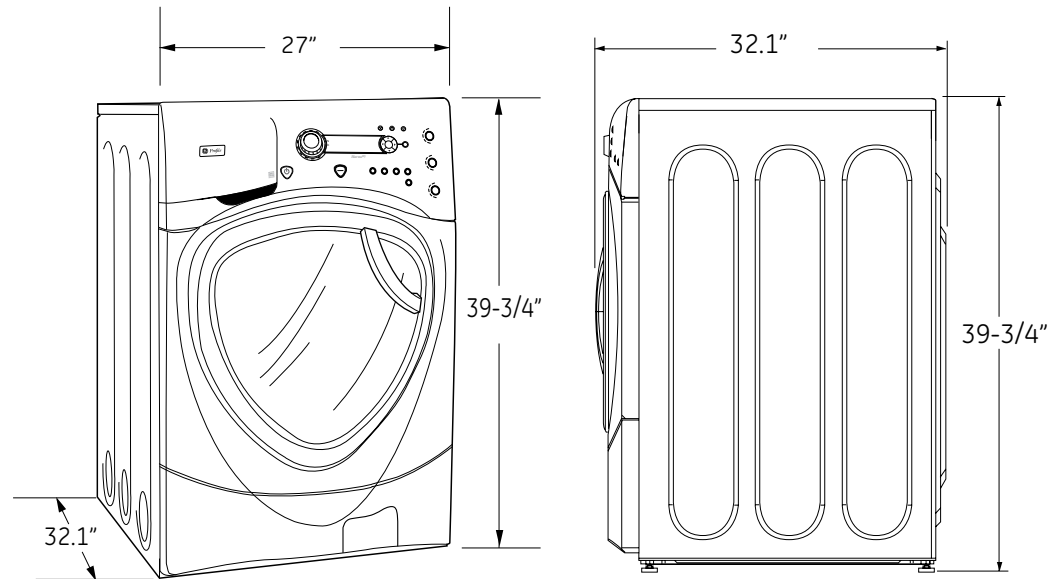
# WPDH8900J

## GE Profile™ ENERGY STAR® 4.2 IEC Cu. Ft. Colossal Capacity Frontload Washer With Steam

### Dimensions and Installation Information (in inches)

Electric Rating	
120V	12.0A, 60Hz

**Installation Information:** For complete information, see installation instructions packed with your washer.



For answers to your Monogram®, GE Profile™ or GE® appliance questions, visit our website at [ge.com](http://ge.com) or call GE Answer Center® service, 800.626.2000.



Specification Revised 6/09

260188

# WPDH8900J

## GE Profile™ ENERGY STAR® 4.2 IEC Cu. Ft. Colossal Capacity Frontload Washer With Steam

### Alcove or Closet Installation:

- If your dryer is approved for installation in an alcove or closet, it will be stated on a label on the dryer back.
- The dryer MUST be exhausted to the outside.
- Minimum clearances between dryer cabinet and adjacent walls or other surfaces are: 0" either side, 3" front and rear
- Minimum vertical space from floor to overhead cabinets, ceilings, etc. is 52".
- Closet doors must be louvered or otherwise ventilated and must contain a minimum of 60 sq. in. of open area equally distributed. If this closet contains both a washer and a dryer, doors must contain a minimum of 120 sq. in. of open area equally distributed.
- No other fuel-burning appliance shall be installed in the same closet with a gas dryer.

### Bathroom or Bedroom Installation:

- The dryer MUST be exhausted to the outdoors.
- The installation must conform with the local codes, or in the absence of local codes, with the National Fuel Gas Code, ANSI Z223.

### Minimum Clearance other than Alcove or Closet Installations:

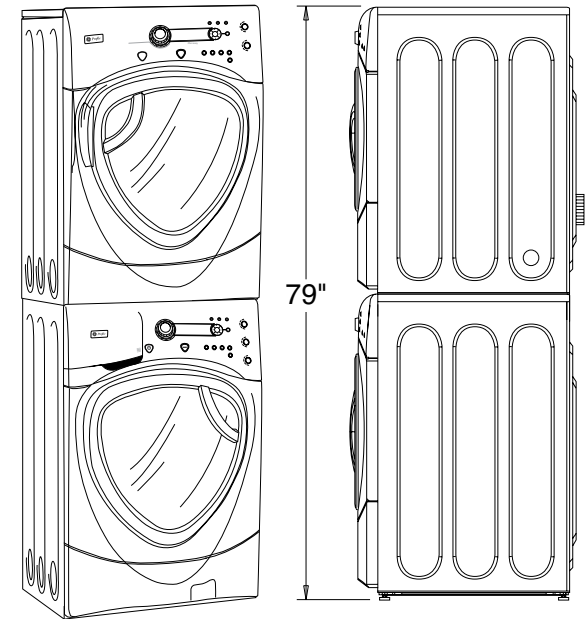
- Minimum clearances to combustible surfaces 0" both sides, 3" rear.

For more information on venting kits and accessories, please call 1-800-GE-CARES.

For answers to your Monogram®, GE Profile™ or GE® appliance questions, visit our website at [ge.com](http://ge.com) or call GE Answer Center® service, 800.626.2000.



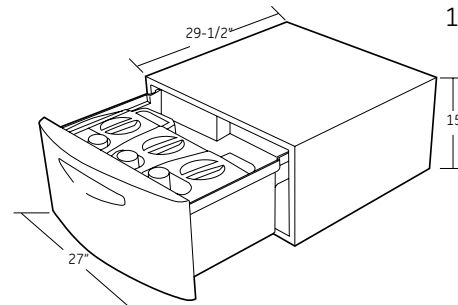
### Stacked Dimensions (in inches)



### SmartDispense™ Pedestal Dimensions (in inches)

SPBD880JMG - Champagne  
SPBD880JMV - Vermillion Red  
SPBD880JWW - White

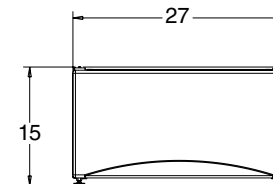
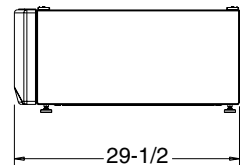
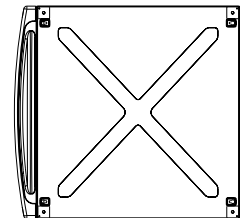
This optional 15" pedestal raises the door opening and height of the washer or dryer. Feet on 15" pedestal allow it to adjust to 15-3/8" height.



### Storage Pedestal Dimensions (in inches)

SPSD157JMG - Champagne  
SPSD157JMV - Vermillion Red  
SPSD157JWW - White

This optional 15" pedestal raises the door opening and height of the washer or dryer. Feet on 15" pedestal allow it to adjust to 15-3/8" height.



Specification Revised 6/09

260188

# WPDH8900J

## GE Profile™ ENERGY STAR® 4.2 IEC Cu. Ft. Colossal Capacity Frontload Washer With Steam

### Features and Benefits

- ENERGY STAR® Qualified - Meets or exceeds federal guidelines for energy efficiency, which means year-round energy and money savings
- 4.2 Cu. Ft. IEC Stainless Steel Basket - Handles bigger loads to let you enjoy more time in the living room instead of the laundry room
- SteamRefresh - Helps reduce wrinkles, odors and rejuvenates clothes
- Steam Assist - Penetrates fabrics to dissolve soils and helps remove tough stains
- SmartDispense™ Technology - SmartDispense™\* pedestal holds up to 6 months of detergent and 95 ounces of fabric softener\*\* and dispenses the right amount, at the right time.
- H2ition Wash System - This intuitive clothes care technology automatically senses the size of load to add the right amount of water at the right temperature to save energy\*\*\* and water and experience a terrific clean
- Specialty Wash Cycles - Ensure that your expensive fabrics get the special attention they deserve
- Stain Inspector™ System - Treats over 40 common stains depending on model, from grass stains to grease; It is the best stain removal system available

\* SmartDispense™ Technology is not available without a SmartDispense™ pedestal which must be purchased separately

\*\* Based on an 8-lb. AHAM load, 10 loads per week

\*\*\* Compared to a traditional topload washer, WWSE5240

- Model WPDH8900JMG – Champagne
- Model WPDH8900JMV – Vermillion Red
- Model WPDH8900JWW – White



Modified Energy Factor (MEF)	2.23
Water Factor (WF)	4.0



imagination at work



Specification Revised 6/09

260188

## Free Manuals Download Website

<http://myh66.com>

<http://usermanuals.us>

<http://www.somanuals.com>

<http://www.4manuals.cc>

<http://www.manual-lib.com>

<http://www.404manual.com>

<http://www.luxmanual.com>

<http://aubethermostatmanual.com>

Golf course search by state

<http://golfingnear.com>

Email search by domain

<http://emailbydomain.com>

Auto manuals search

<http://auto.somanuals.com>

TV manuals search

<http://tv.somanuals.com>