

# ZEU36KSK/WK/BK GE Monogram® 36" Ribbon Cooktop

## Dimensions and Installation Information (in inches)

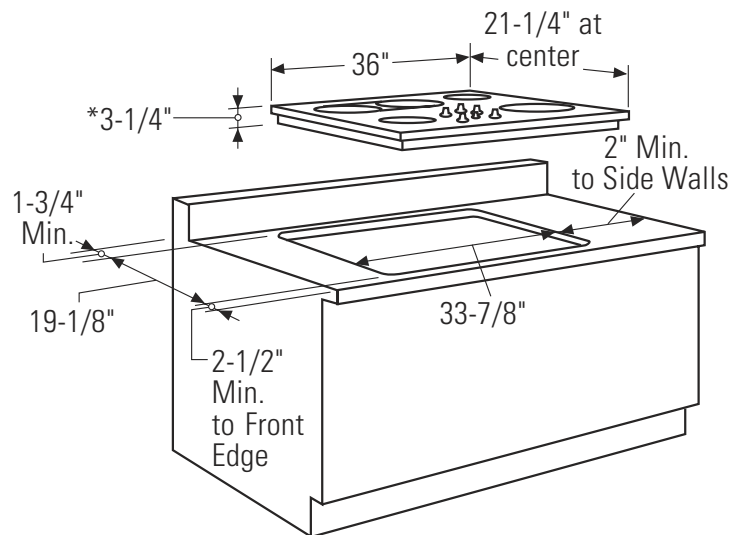
### Combination Installations

Consideration must be given to the electrical supply locations when the cooktop is installed with other products in the same cabinet. Always refer to each product's installation instructions for clearances and electrical requirements.

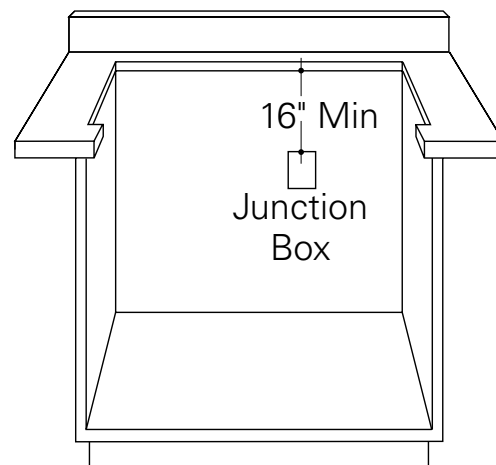
- Install these cooktops with any exhaust hood of the same or greater width; 300 CFM or greater air flow.
- The cooktop may be installed with a 36" Monogram downdraft vent.

### Electrical Requirements

Product rating is 120/208V or 120/240V, 60Hz. For 240V, connect to a 40-amp circuit; connect to a 30-amp circuit for 208V operation. The cooktop must be connected to a supply circuit of the proper voltage and frequency and protected by a time-delay fuse or circuit breaker.



\*3-1/4" deep at the front. 4-5/8" deep at the rear conduit location.  
Allow 5" minimum clearance below the cooktop bottom to combustible materials.



For answers to your Monogram,® GE Profile™ or GE® appliance questions, visit our website at [ge.com](http://ge.com) or call GE Answer Center® service, 800.626.2000.



Specification Created 12/04

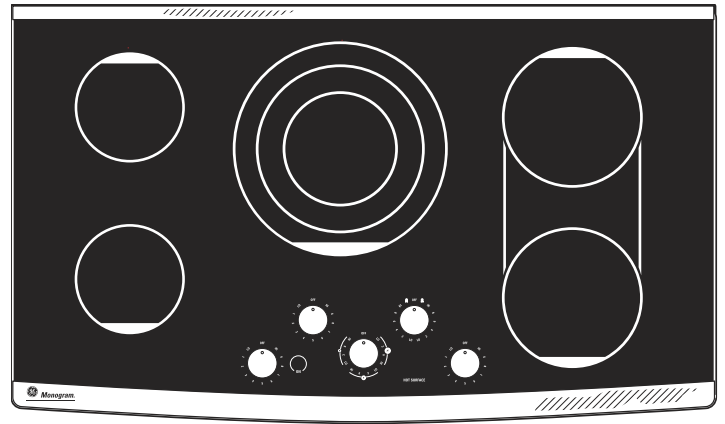
130250

# ZEU36KSK/WK/BK

## GE Monogram® 36" Ribbon Cooktop

### Features and Benefits

- Cooking versatility – Elements vary in diameter and can be expanded to suit your cooking needs
- Sophisticated styling – Front edge is curved to form an attractive, soft arc to complement Monogram hoods
- Bridge burner – Ideal for larger pans, this burner connects two 7" elements to form an elliptical cooking zone
- Tri-ring burner – 12"/9"/6" heating element offers a convenient choice for various size pans
- Cooking performance – Responsive ribbon elements allow you to simmer and saute precisely according to recipe; an infinite range of heat settings leaves plenty of room for improvisation
- Control knobs – Stainless steel or color-matched black or white knobs offer precise temperature control
- Solid surface finishes – The cooktop surfaces are completely solid for a dramatic "true black" or "true white" appearance
- Model ZEU36KSKSS - Stainless steel (shown)
- Model ZEU36KWKWW - White on white
- Model ZEU36KBKBB - Black on black



## Free Manuals Download Website

<http://myh66.com>

<http://usermanuals.us>

<http://www.somanuals.com>

<http://www.4manuals.cc>

<http://www.manual-lib.com>

<http://www.404manual.com>

<http://www.luxmanual.com>

<http://aubethermostatmanual.com>

Golf course search by state

<http://golfingnear.com>

Email search by domain

<http://emailbydomain.com>

Auto manuals search

<http://auto.somanuals.com>

TV manuals search

<http://tv.somanuals.com>