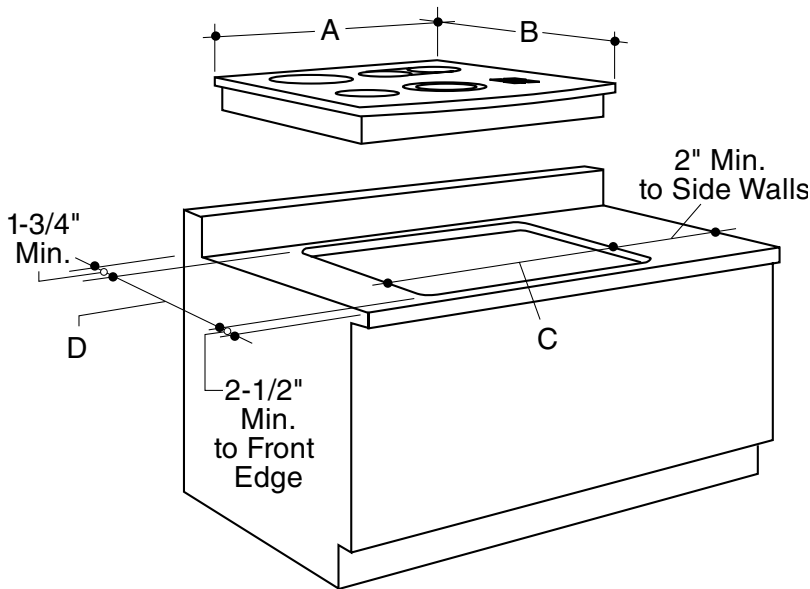


ZHU30RBM

GE Monogram® 30" Electric Induction Cooktop

Dimensions and Installation Information (in inches)



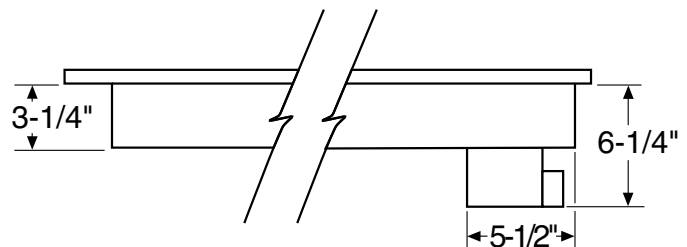
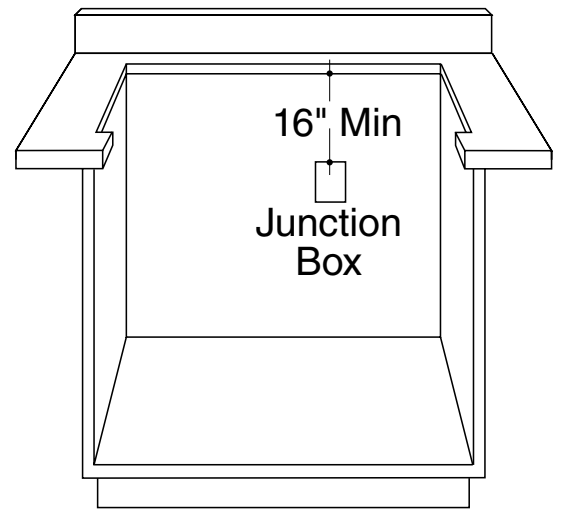
Cutout Dimensions:

30" Models	A	B	C	D
ZHU30RBM	29-3/4"	21-3/8"	28-1/2"	19-5/8"

Electrical requirements

Product rating is 120/240V, 60Hz, 36" cooktops to a 50-amp circuit; and 30" cooktops to a 40-amp circuit. The cooktops must be connected to a supply circuit of the proper voltage and frequency and protected by a time-delay fuse or circuit breaker.

All models require 12" minimum clearance below the cooktop bottom to combustible materials.



Combination installations

Consideration must be given to electrical supply locations when the cooktop is installed with other products in the same cabinet. Always refer to each product's installation instructions for clearances and electrical requirements.

- Install these cooktops with any exhaust hood of the same or greater width; 300 CFM or greater air flow rating is recommended.
- Install the 36" cooktop with a 36" downdraft vent. See downdraft vents for details.
- A Monogram single oven (except Trivection oven) may be installed below these cooktops.

The serial plate is located on the bottom of the cooktops.

For answers to your Monogram®, GE Profile™ or GE® appliance questions, visit our website at ge.com or call GE Answer Center® service, 800.626.2000.



imagination at work



Specification Created 09/08

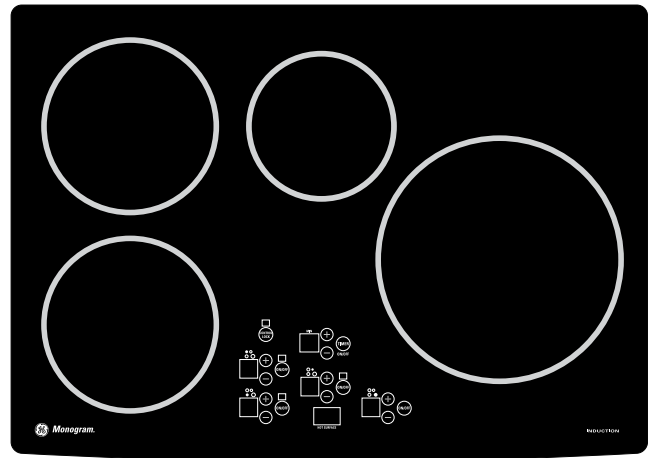
130255

ZHU30RBM

GE Monogram® 30" Electric Induction Cooktop

Features and Benefits

- Induction Technology - Induction elements use electricity to produce a magnetic field that reacts with the iron in metal cookware - including cast iron and magnetic stainless steel pans - and transfers the heat to the cookware
- Sophisticated Styling - Frameless black models are smooth from edge to edge, making them easy to clean
- Digital Controls - Embedded in the cooktop offer added style and convenience
- 3,700-Watt, 11" Element - The most powerful induction in the industry, it provides instantaneous heat across 19 different cooking settings
- Digital Pan-Sensing Technology - Detects the presence of pans made of iron materials, a requirement for induction cooking
- Pan Size Sensor - Automatically adjusts the heating element to the size of the pan
- Warm Setting - provides just enough heat to maintain an ideal serving temperature
- Timer, Control-Lock Capability and Hot-Surface Indicator - provide an extra measure of convenience and safety
- Flexible Installation - Above a Monogram single wall oven (except Trivection oven) is made possible by shallow-depth configuration with integrated cooling system
- Model ZHU30RBMBB - Black



For answers to your Monogram®, GE Profile™ or GE® appliance questions, visit our website at ge.com or call GE Answer Center® service, 800.626.2000.



Specification Created 09/08

130255

Free Manuals Download Website

<http://myh66.com>

<http://usermanuals.us>

<http://www.somanuals.com>

<http://www.4manuals.cc>

<http://www.manual-lib.com>

<http://www.404manual.com>

<http://www.luxmanual.com>

<http://aubethermostatmanual.com>

Golf course search by state

<http://golfingnear.com>

Email search by domain

<http://emailbydomain.com>

Auto manuals search

<http://auto.somanuals.com>

TV manuals search

<http://tv.somanuals.com>