

GSD6900/60N

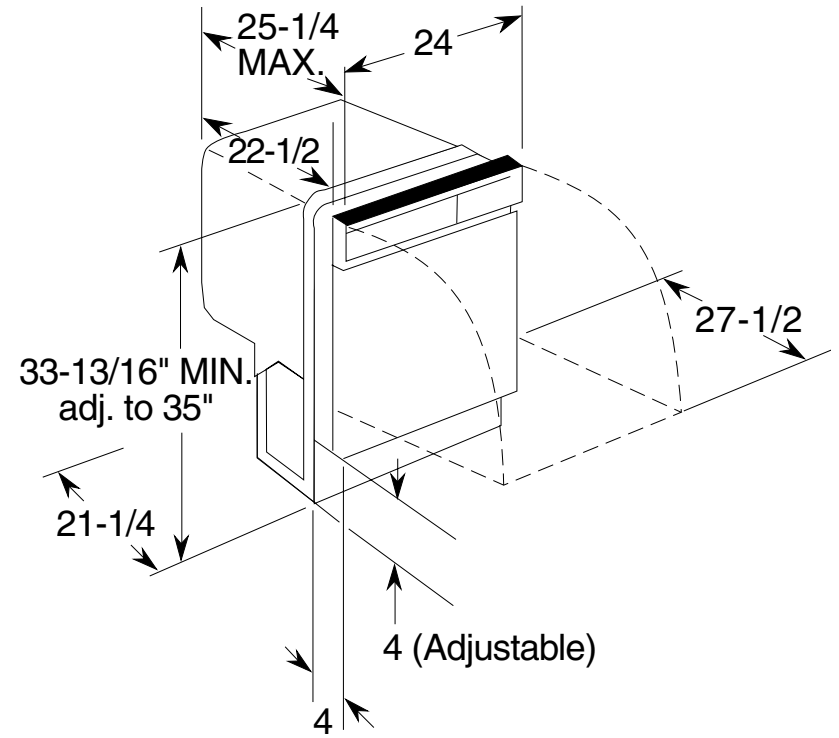
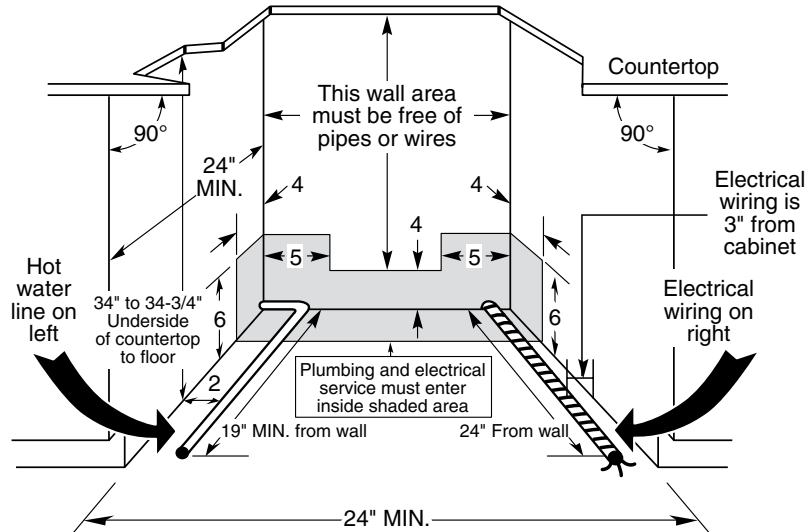
GE® Tall Tub Built-In Dishwasher

Dimensions and Installation Information (in inches)

Electrical Rating

Voltage AC.....	120
Hertz.....	60
Total connected load amperage.....	10
Calrod® heater watts max.....	875

For use on adequately wired 120-volt, 15-amp circuit having 2-wire service with a separate ground wire. This appliance must be grounded for safe operation.



For answers to your Monogram®, GE Profile™ or GE® appliance questions, visit our website at ge.com or call GE Answer Center® service, 800.626.2000.



Listed by
Underwriters
Laboratories



As an ENERGY STAR® partner, GE has determined that this product meets the ENERGY STAR guidelines for energy efficiency.

Specification Created 9/06

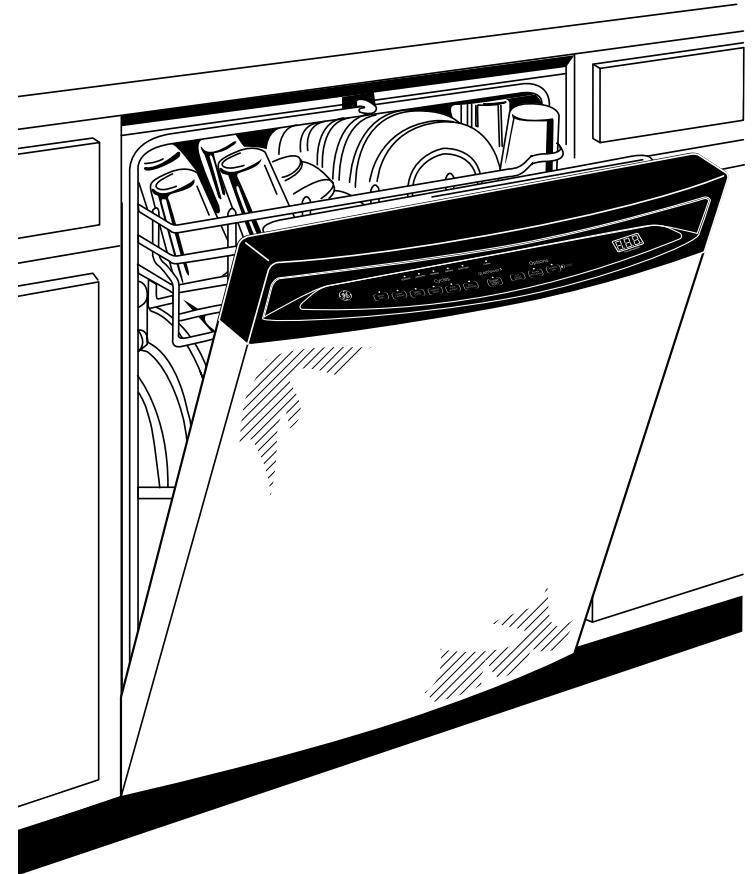
350400

GSD6900/60N

GE® Tall Tub Built-In Dishwasher

Features and Benefits

- Full-Length Contour Door - Shaped with subtle curves for a designer look
- Giant Tub with Maximum Capacity Nylon Racking - Holds tall and oversized items; washes 16 place settings at once
- Countdown Display with 1-9 Hour Delay Start - Signals remaining cycle time and makes it easier than ever to wash dishes at any hour, taking advantage of reduced energy rates or washing dishes even when the family is asleep
- Four-Position Adjustable Upper Rack - Moves up, down and diagonally for maximum loading flexibility
- SpeedCycle™ - Cuts the length of the normal cycle in half, washing and drying lightly soiled dishes effectively in 45 minutes or less
- QuietPower™ 3 Sound Package - Dramatically reduces the sound of washing the dishes
- 6-Level BrilliantClean™ Towerless Wash System with CleanSensor™ - Scrubs dishes clean with three full-sized wash arms, six levels of wash action and a sensor that continually monitors and adjusts the wash cycle for a superior clean
- Model GSD6960NSS - Stainless steel (shown)
- Model GSD6900NWW - White on white
- Model GSD6900NCC - Bisque on bisque
- Model GSD6900NBB - Black on black



imagination at work



As an ENERGY STAR® partner, GE has determined that this product meets the ENERGY STAR guidelines for energy efficiency.

Specification Created 9/06

350400

Free Manuals Download Website

<http://myh66.com>

<http://usermanuals.us>

<http://www.somanuals.com>

<http://www.4manuals.cc>

<http://www.manual-lib.com>

<http://www.404manual.com>

<http://www.luxmanual.com>

<http://aubethermostatmanual.com>

Golf course search by state

<http://golfingnear.com>

Email search by domain

<http://emailbydomain.com>

Auto manuals search

<http://auto.somanuals.com>

TV manuals search

<http://tv.somanuals.com>