

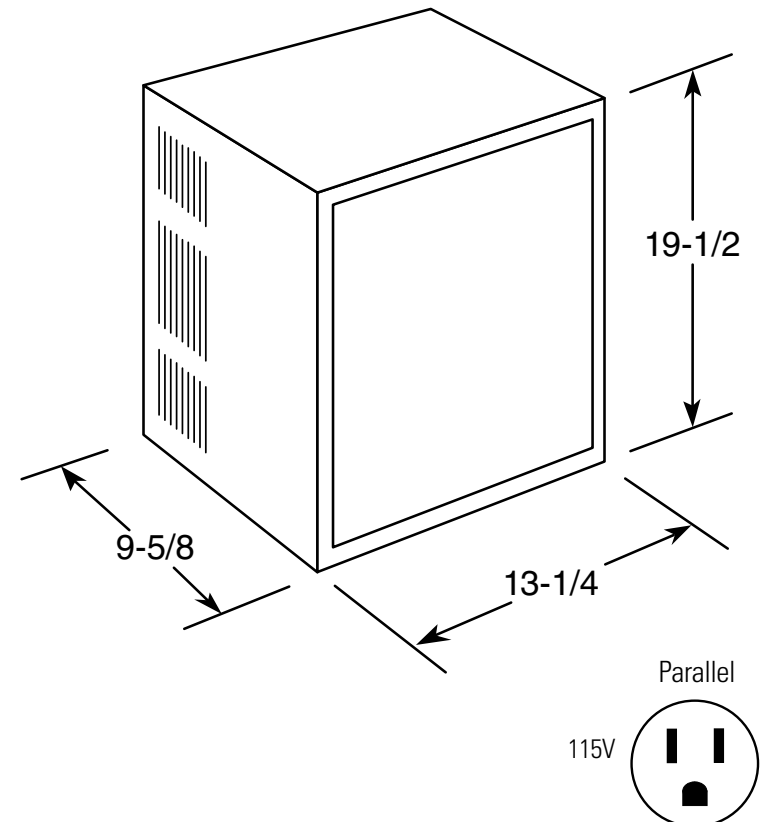
AHR30LM

GE® ENERGY STAR® Dehumidifier

Dimensions and Installation Information (in inches)

Wall Outlets: All wiring including installation of receptacle must be made in accordance with local electrical codes and regulations. Electrical outlet should be in reach of line cord.

Note: Aluminum wiring may pose special problems – consult a qualified electrician.



For answers to your Monogram®, GE Profile™ or GE® appliance questions, visit our website at ge.com or call GE Answer Center® service, 800.626.2000.



imagination at work



Total volume and shelf area are calculated by the Association of Home Appliance Manufacturers' standards.



Listed by Underwriters Laboratories



As an ENERGY STAR® partner, GE has determined that this product meets the ENERGY STAR guidelines for energy efficiency.

Specification Created 3/09

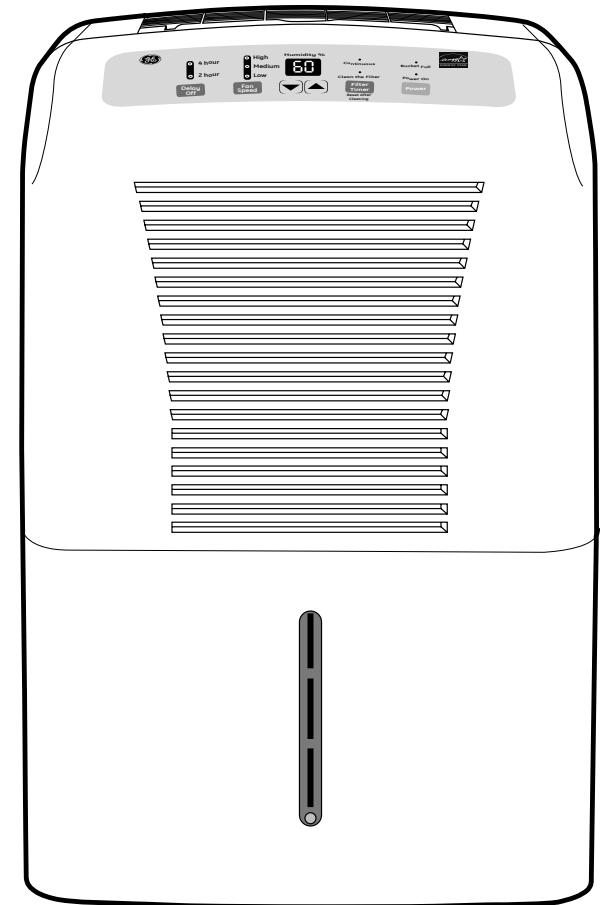
390739

AHR30LM

GE® ENERGY STAR® Dehumidifier

Features and Benefits

- ENERGY STAR® Qualified
- 30 Dehumidification Pints Per Day
- Electronic Controls
- Low Temperature Operation
- Front Condensate Bucket with Water Level Indicator
- Automatic Shut-Off System when Bucket Fills
- 3 Fan Speeds
- Automatic Defrost Control
- External Drain Connector
- Easy Roll Casters
- Washable Air Filter
- 2- or 4-Hour Off Timer
- Model AHR30LM - Light Cool Grey



As an ENERGY STAR® partner, GE has determined that this product meets the ENERGY STAR guidelines for energy efficiency.

Specification Created 3/09

390739

Free Manuals Download Website

<http://myh66.com>

<http://usermanuals.us>

<http://www.somanuals.com>

<http://www.4manuals.cc>

<http://www.manual-lib.com>

<http://www.404manual.com>

<http://www.luxmanual.com>

<http://aubethermostatmanual.com>

Golf course search by state

<http://golfingnear.com>

Email search by domain

<http://emailbydomain.com>

Auto manuals search

<http://auto.somanuals.com>

TV manuals search

<http://tv.somanuals.com>