

User
Manual

KTC-CBS24/CBH24
Bullet Camera



GE Interlogix
Video Systems Group

All Rights Reserved.

Any GE Interlogix, Video Systems Group software supplied with GE Interlogix, Video Systems Group products is proprietary and furnished under license and can be used or copied only in accordance with the terms of such license.

This document contains proprietary information that is protected by copyright. No part of this document may be reproduced or transmitted in any form or by any means without the prior written permission of GE Interlogix, Video Systems Group.

The information contained in this document is subject to change without notice. GE Interlogix, Video Systems Group, in keeping pace with technological advances, is a company of product innovation. Therefore, it is difficult to ensure that all information provided is entirely accurate and up-to-date. GE Interlogix, Video Systems Group accepts no responsibility for inaccuracies or omissions and specifically disclaims any liabilities, losses, or risks, personal or otherwise, incurred as a consequence, directly or indirectly, of the use or application of any of the contents of this document.

For the latest product specifications, visit GE Interlogix, Video Systems Group online at www.GE-Interlogix.com or contact your GE Interlogix sales representative.

For technical support before and after installation, call 800-469-1676.

Technical support is available 24 hours a day, 7 days a week.

Call: **Tech Support** 800-469-1676 (6 A.M. – 5 P.M. PST Monday through Friday)
 Tech Support 541-740-3589 (all other times)
 Main 800-343-3358 or 541-754-9133
Fax: **Tech Support** 541-752-9096 (available 24 hours a day)
 Main 541-754-7162
Web: www.GE-Interlogix.com

1043349A / September 2003

This equipment has been tested and found to comply with the limits for a Class A digital device, pursuant to part 15 of the FCC Rules. These limits are designed to provide reasonable protection against harmful interference when the equipment is operated in a commercial environment. This equipment generates, uses, and can radiate radio frequency energy and, if not installed and used in accordance with the instruction manual, may cause harmful interference to radio communications.

You are cautioned that any changes or modifications not expressly approved by the party responsible for compliance could void the user's authority to operate the equipment.

BEFORE YOU BEGIN

Read these instructions before installing or operating this product.

Note: This installation should be made by a qualified service person and should conform to local codes.

This manual provides installation and operation information. To use this document, you must have the following minimum qualifications:

- A basic knowledge of CCTV systems and components
- A basic knowledge of electrical wiring and low-voltage electrical hookups

Use this product only for the purpose for which it was designed.

Customer Support

For assistance in installing, operating, maintaining, and troubleshooting this product, refer to this document and any other documentation provided. If you still have questions, contact GE Interlogix, Video Systems Group Technical Support:

GE Interlogix, Video Systems Group

Call: 800-469-1676

Fax: 541-752-9096

Note: You should be at the equipment, ready with details before calling Technical Support.

Conventions Used in this Manual

Boldface or button icons highlight command entries. The following **WARNING**, **CAUTION**, and **Note** statements identify potential hazards:



*** WARNING:**

Improper use of this equipment can cause severe bodily injury or equipment damage.



**** CAUTION:**

Improper use of this equipment can cause equipment damage.

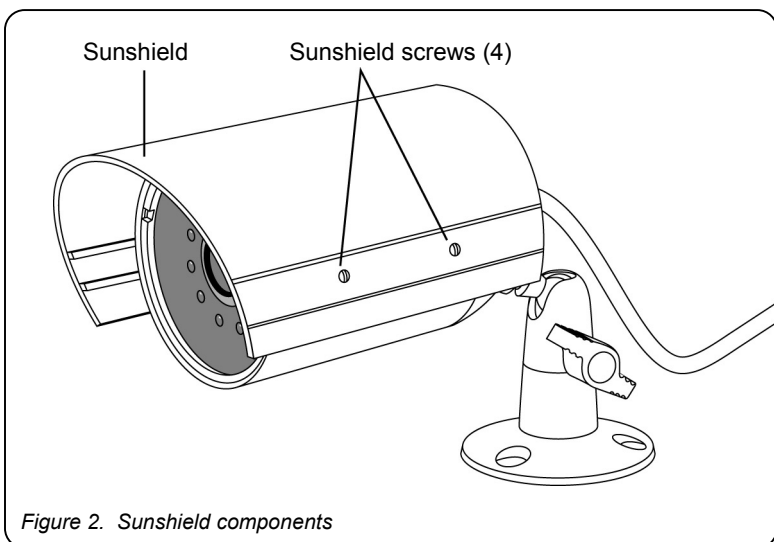
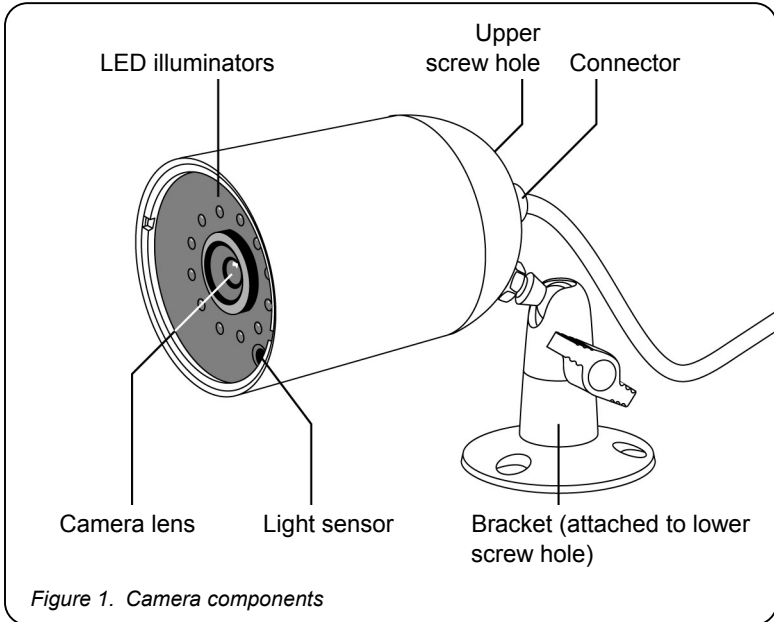
Note: Notes contain important information about a product or procedure.

* This symbol indicates electrical warnings and cautions.

** This symbol indicates general warnings and cautions.

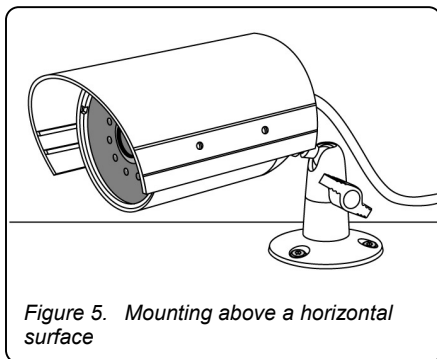
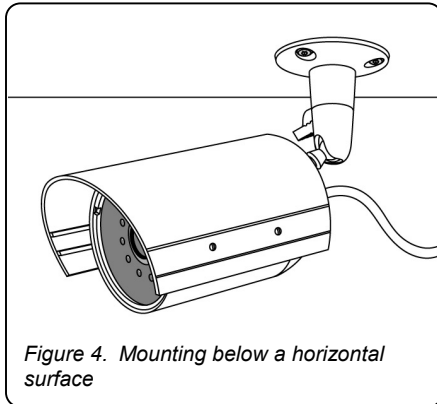
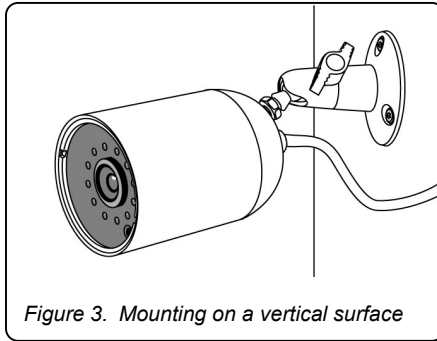
INTRODUCTION

The standard- or high-resolution Bullet Camera includes a lens, a housing, a bracket, mounting fasteners, power and video cables, and a 24 VAC power supply. To install the unit, see Figure 1 and Figure 2 and perform the following.



INSTALLING THE BRACKET AND CAMERA

You can mount the camera on a vertical surface (Figure 3), and below (Figure 4) or above (Figure 5) a horizontal surface.



CHOOSING AN INSTALLATION LOCATION

Consider the field of view for the camera and the range of the LED illuminators when you select an installation location.

- The LED illuminators are effective in nighttime conditions to approximately 33 feet (10.1 m).
- See Table 1 for field of view information.

Table 1. Example approximate fields of view

Distance from camera	Horizontal		Vertical
5 ft (1.5 m)	4 ft (1.2 m)	x	3 ft (0.9 m)
10 ft (3 m)	8 ft (2.4 m)	x	6 ft (1.8 m)
15 ft (4.6 m)	12 ft (3.7 m)	x	9 ft (2.7 m)
20 ft (6.1 m)	16 ft (4.9 m)	x	12 ft (3.7 m)

Note: The Bullet Camera has a 1/3-inch CCD and 6.0 mm lens.

MOUNTING THE BRACKET

- 1) Loosen the wing nut and remove the top of the bracket as shown in Figure 6.
- 2) Place the back of the bracket against the vertical or horizontal mounting surface and mark the location of the three mounting holes.

Note: The camera comes with fasteners and anchors; use them only if they are appropriate for the type of mounting surface.

- 3) Prepare the mounting holes appropriately according to the type of surface (concrete, wood, etc.) and fasteners used.

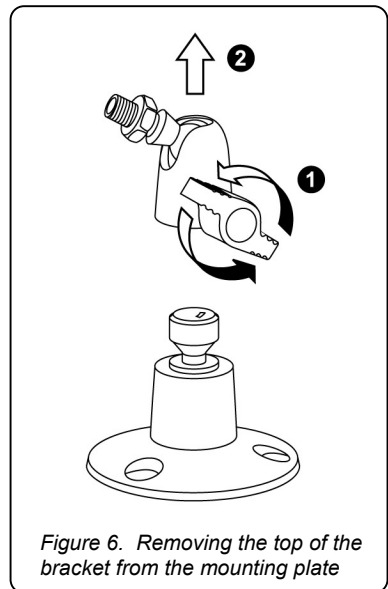
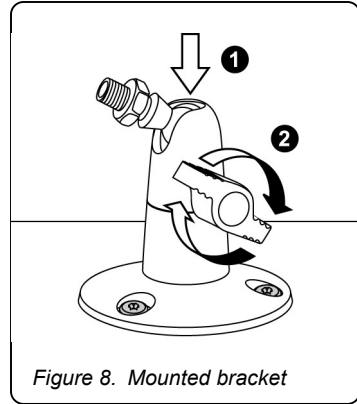
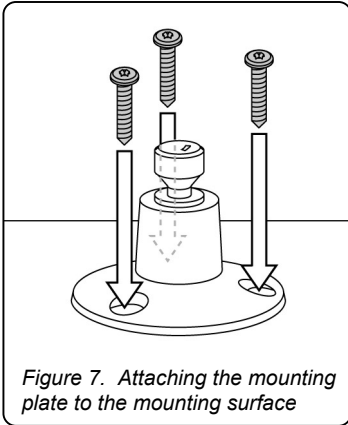


Figure 6. Removing the top of the bracket from the mounting plate

- 4) Attach the mounting plate to the mounting surface as shown in Figure 7.
- 5) Reinstall the top of the bracket onto the mounting plate and tighten the wing nut as shown in Figure 8.



ATTACHING THE CAMERA TO THE BRACKET

See Figure 9 and perform the following.

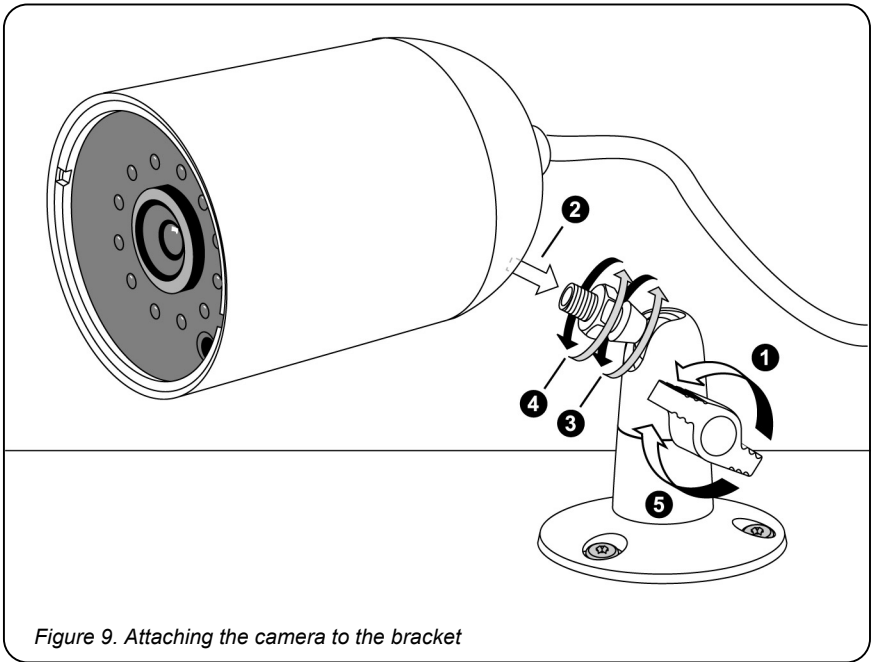


Figure 9. Attaching the camera to the bracket

- 1) Loosen the wing nut to free the ball and socket bolt.
- 2) Slide the camera's upper or lower screw hole onto the bolt.
- 3) Twist the ball and socket bolt into the camera screw hole.
- 4) Use the nut to secure the camera onto the bolt.
- 5) Tighten the wing nut.

ADJUSTING THE CAMERA ANGLE

See Figure 10 and perform the following.

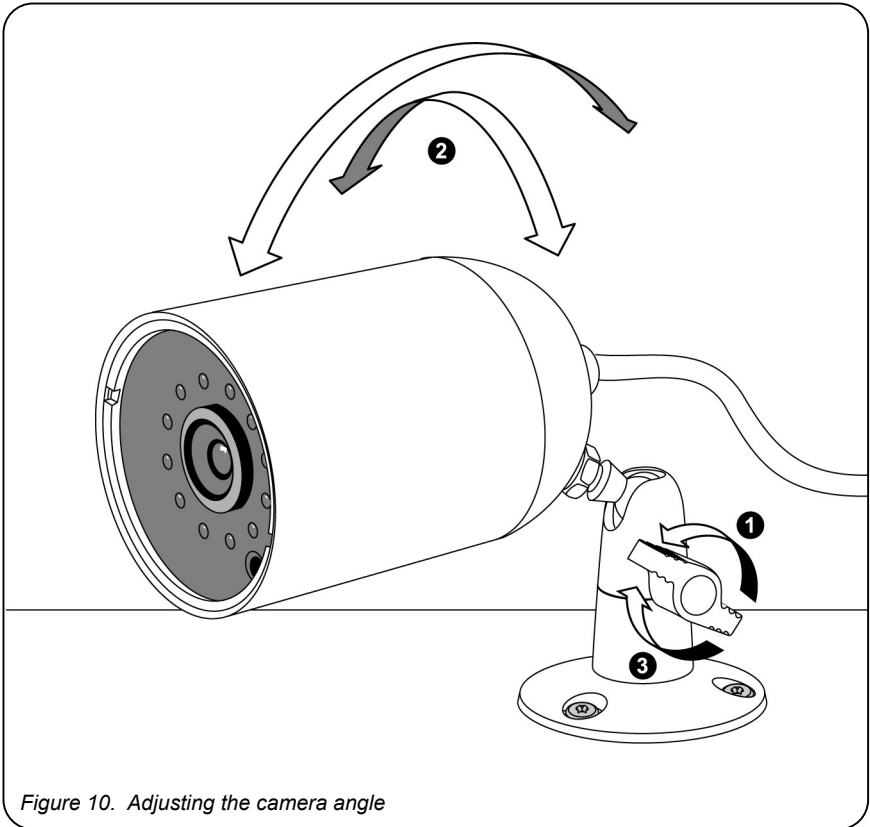


Figure 10. Adjusting the camera angle

- 1) Loosen the wing nut.
- 2) Swivel the camera on the ball and socket bolt to achieve the proper angle.
- 3) Tighten the wing nut to secure the camera in position.

INSTALLING THE SUNSHIELD

Install the sunshield to protect the camera from rain and to minimize heat build-up from sun exposure. To install the sunshield, see Figure 11 and perform the following.

Note: For interior installations, the sunshield might not be necessary.

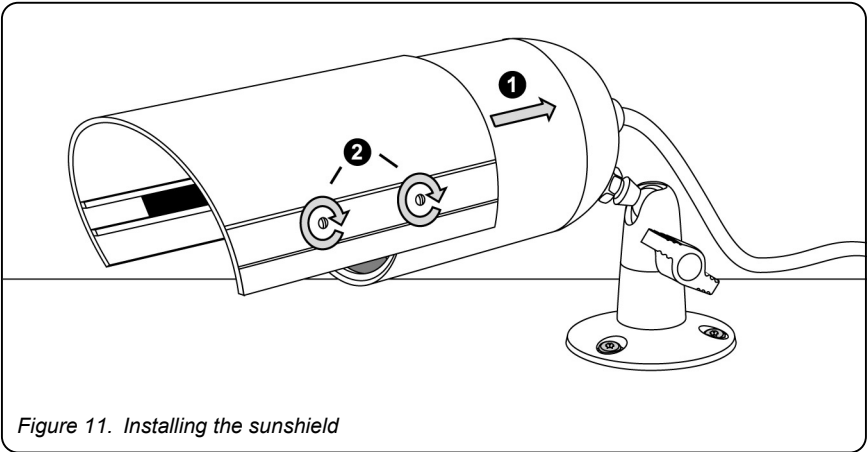
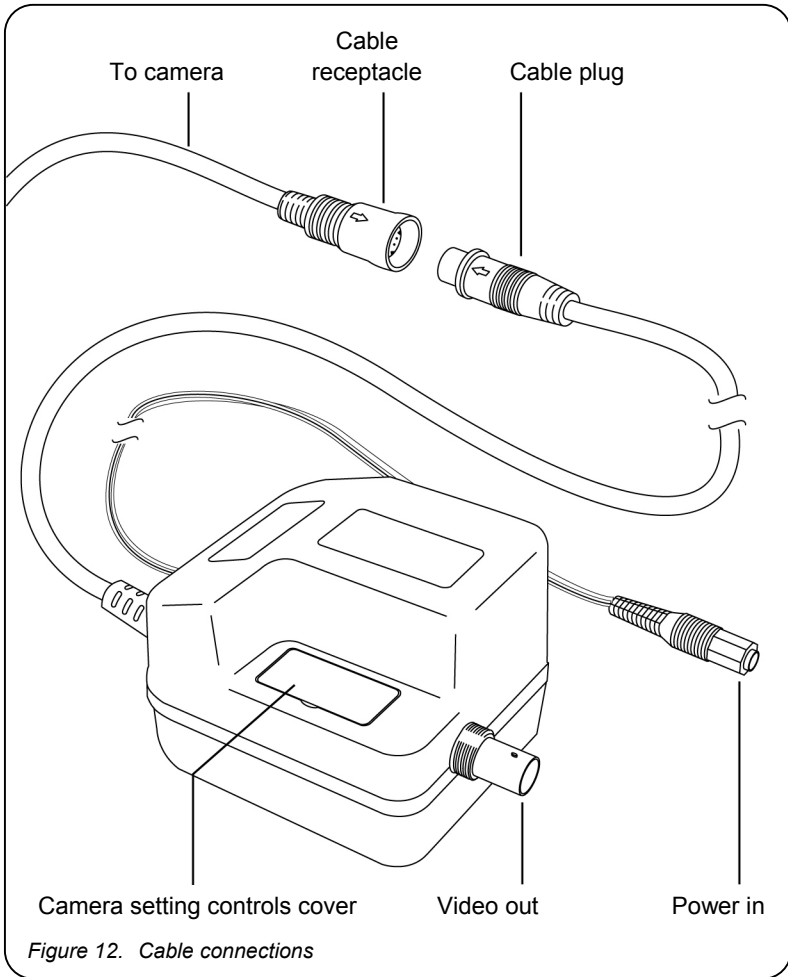


Figure 11. Installing the sunshield

- 1) Slide the sunshield into the desired position on the camera.
- 2) Tighten the sunshield screws (4) on both sides of the sunshield.

MAKING CABLE CONNECTIONS

See Figure 12 and perform the following.



- 1) Connect the camera's cable receptacle to the cable plug.
- 2) Connect the video out connector to the video input on the monitor.
- 3) Connect the power in connector to the 24 VAC power supply.
- 4) Supply power to the unit.

ADJUSTING CAMERA SETTINGS

To adjust backlight compensation and vertical phase, on the 24 VAC power supply open the camera setting controls cover (see Figure 12).

BACKLIGHT COMPENSATION

Backlight compensation controls iris gain and white balance simultaneously. If you have objects in the foreground that appear silhouetted in front of a brighter background, set backlight compensation to on. The foreground objects appear with greater definition.

Note: Compensation might be insufficient when the background is extremely bright.

To set backlight compensation see Figure 13 perform the following.

- To set backlight compensation on, ensure that the jumper is securely in place.
- To set backlight compensation off, remove the jumper.

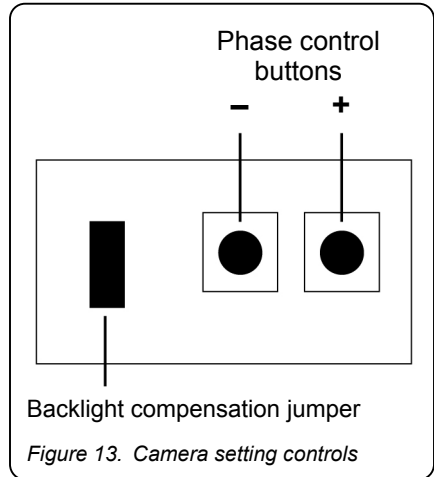
VERTICAL PHASE



CAUTION:

The phase adjustment must be made by a qualified service person or installer.

The vertical phase of the camera video signal can be synchronized to the phase of the AC power line by using a dual-trace oscilloscope to observe the video output signal (V-rate) of the camera and by adjusting the phase control buttons (see Figure 13) to line up the phases of both signals or by using a KTS-56 V-Phase Adjustment Tool.



Mfg. # 98230006

Download from [Www.Somanuals.com](http://www.Somanuals.com). All Manuals Search And Download.

Free Manuals Download Website

<http://myh66.com>

<http://usermanuals.us>

<http://www.somanuals.com>

<http://www.4manuals.cc>

<http://www.manual-lib.com>

<http://www.404manual.com>

<http://www.luxmanual.com>

<http://aubethermostatmanual.com>

Golf course search by state

<http://golfingnear.com>

Email search by domain

<http://emailbydomain.com>

Auto manuals search

<http://auto.somanuals.com>

TV manuals search

<http://tv.somanuals.com>