

Installation Instructions

165D4051G009 Dishwasher Door Spring Kit

For installation of a custom dishwasher door panel weighing 3.5 pounds or more



BEFORE YOU BEGIN

Read these instructions completely and carefully.

IMPORTANT – Save these instructions for local inspector's use.

IMPORTANT – Observe all governing codes and ordinances.

Note to Installer – Be sure to leave these instructions with the Consumer.

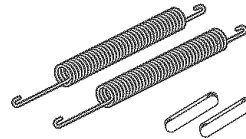
Note to Consumer – Keep these instructions with your Owner's Manual for future reference.

TOOLS AND MATERIALS REQUIRED:

- 1/4" socket driver
- Phillips screwdriver
- Gloves to protect against sharp edges

KIT INCLUDES:

- 1 set of springs
- 2 plastic links



WARNING:

To prevent electric shock, disconnect electrical power supply to dishwasher before changing springs. Do not operate dishwasher while changing springs or when toekick assembly is removed.



imagination at work

Step 1–Turn off power and water

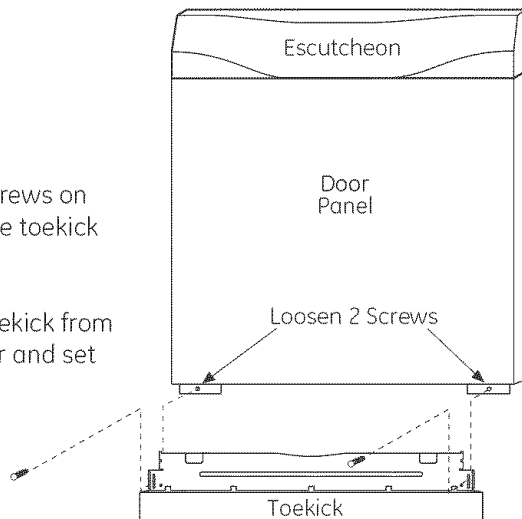
- Turn off power supply.
- Turn off water supply.
- Latch dishwasher door.

Step 2–Move dishwasher

- Remove the two screws securing the dishwasher to the countertop or side.
- Pull the unit out from the cabinets approximately 10", until the door springs are exposed.

Step 3–Remove toekick

- Remove the screws on each side of the toekick face.
- Retain screws.
- Remove the toekick from the dishwasher and set aside.

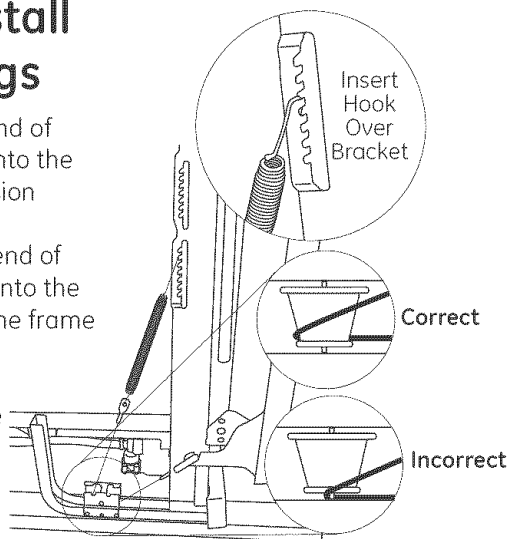


Step 4–Remove old springs

- Grasp the upper end of the spring attached to the dishwasher frame and release the hook.
- Release opposite end of the spring from the tension cable and remove the spring.

Step 5–Install new springs

- Place the short end of the spring hook into the eyelet of the tension cable.
- Stretch the long end of spring and hook into the lowest notch of the frame bracket.
- Repeat the same procedure for the opposite side.



Step 6–Check door balance

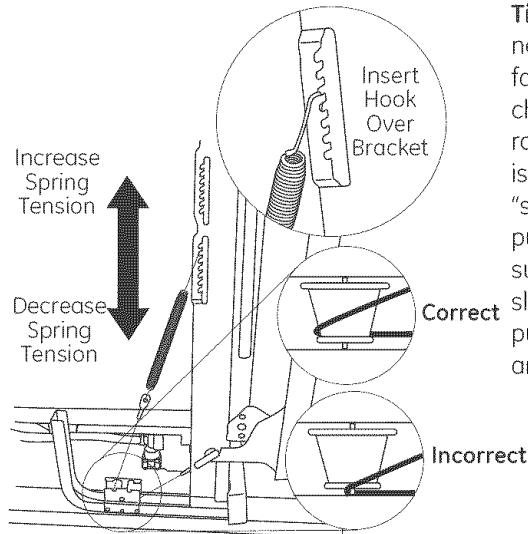


WARNING:

- All dishwashers can tip when removed from enclosure.
- Injury to persons could result.
- Use caution when opening door.

- Check the door balance by opening and closing the door.
- If door drops open when released, increase spring tension.
- If door closes when released, decrease tension.

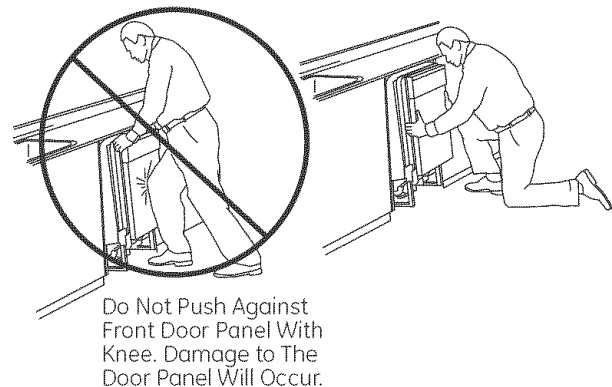
Note: Increase or decrease tension as shown. Adjust both springs to the same tension setting to correct balance.



Tip: If door does not open easily or falls too quickly, check spring cable routing. The cable is held in place by "shoulders" on the pulley. Check to be sure cable has not slipped over the pulley shoulders and onto the axle.

Step 7–Reinstall toekick

- Slide dishwasher back into opening. **DO NOT PUSH AGAINST FRONT PANEL WITH KNEES. DAMAGE WILL OCCUR.**
- Reinstall the 2 screws securing the dishwasher to the countertop or sides and ensure door springs do not contact water line, fill hose, wiring, etc.
- Turn water on.
- Turn electrical power on.



Free Manuals Download Website

<http://myh66.com>

<http://usermanuals.us>

<http://www.somanuals.com>

<http://www.4manuals.cc>

<http://www.manual-lib.com>

<http://www.404manual.com>

<http://www.luxmanual.com>

<http://aubethermostatmanual.com>

Golf course search by state

<http://golfingnear.com>

Email search by domain

<http://emailbydomain.com>

Auto manuals search

<http://auto.somanuals.com>

TV manuals search

<http://tv.somanuals.com>