

CDW9380N

GE Café Dishwasher with SmartDispense™ Technology

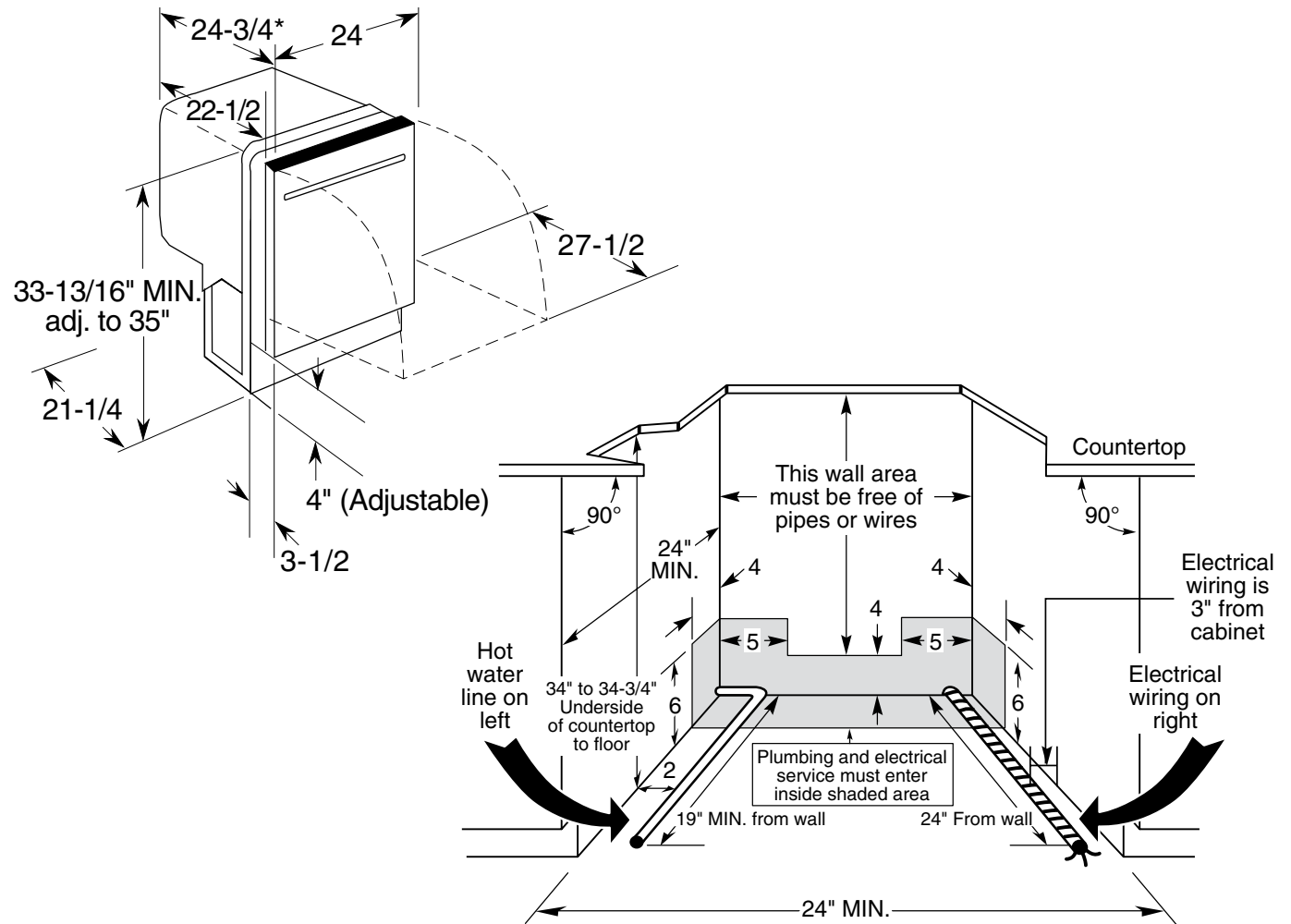
Dimensions and Installation Information (in inches)

Electrical Rating

Voltage AC.....	120
Hertz.....	60
Total connected load amperage.....	9.1
Calrod® heater watts max.....	875

For use on adequately wired 120-volt, 15-amp circuit having 2-wire service with a separate ground wire. This appliance must be grounded for safe operation.

Installation Information: Before installing, consult installation instructions packed with product for current dimensional data.



For answers to your Monogram®, GE Profile™ or GE® appliance questions, visit our website at ge.com or call GE Answer Center® service, 800.626.2000.



Listed by Underwriters Laboratories



As an ENERGY STAR® partner, GE has determined that this product meets the ENERGY STAR guidelines for energy efficiency.

Specification Created 4/07

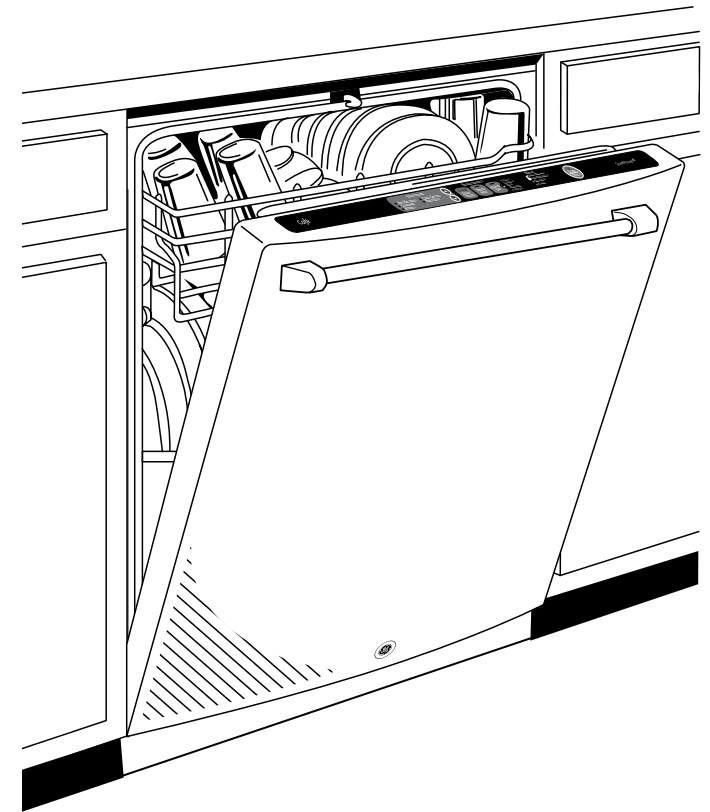
250217

CDW9380N

GE Café Dishwasher with SmartDispense™ Technology

Features and Benefits

- SmartDispense™ Technology - Holds an entire bottle of liquid automatic dishwasher detergent, dispensing the right amount based on water hardness and soil levels to get dishes incredibly clean
- 6-Level BrilliantClean™ Towerless Wash System with CleanSensor™ - Scrubs dishes clean with three full-sized wash arms, six levels of wash action and a sensor that continually monitors and adjusts the wash cycle for a superior clean
- Giant Tub with Maximum Capacity Nylon Racking - Holds tall and oversized items; washes 16 place settings at once
- QuietPower™ 6 Sound Package - Preserves peace and quiet in the kitchen with fan-assisted drying and an enhanced insulation package
- 2/4/8-Hour Delay Start - Makes it easier than ever to wash dishes at any hour taking advantage of reduced energy rates or washing dishes even when the family is asleep
- 2 Sets Fold-Down Tines in Lower Rack - Provides loading flexibility for pots, pans and large bowls
- Audible End-Of-Cycle Signal - When on, emits an audible signal to indicate the cycle has ended
- Model CDW9380NSS - Stainless steel



imagination at work

Free Manuals Download Website

<http://myh66.com>

<http://usermanuals.us>

<http://www.somanuals.com>

<http://www.4manuals.cc>

<http://www.manual-lib.com>

<http://www.404manual.com>

<http://www.luxmanual.com>

<http://aubethermostatmanual.com>

Golf course search by state

<http://golfingnear.com>

Email search by domain

<http://emailbydomain.com>

Auto manuals search

<http://auto.somanuals.com>

TV manuals search

<http://tv.somanuals.com>