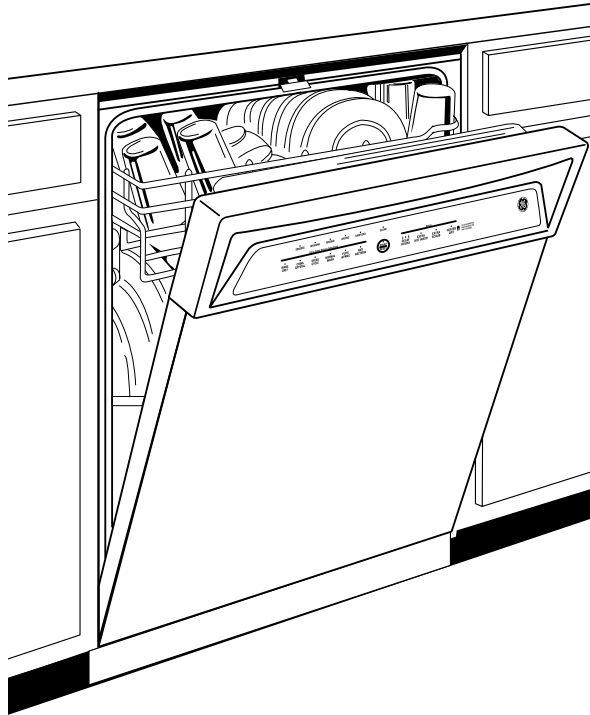




# Triton XL™ Dishwashers



## Owner's Manual

- EDW4000 Series
- GHDA960 Series
- GHDA980 Series
- GSD6100 Series
- GSD6200 Series
- GSD6300 Series
- GSD6500 Series
- GSD6600 Series
- GSD6700 Series
- GSD6800 Series
- GSD6900 Series
- SSD4900 Series

**Safety Instructions** . . . . . 2, 3

### Operating Instructions

- Care and Cleaning . . . . . 10
- Control Panel and Settings . . 4-6
- Loading Place Settings . . . . . 9
- Loading the Racks . . . . . 8
- Optional Accessories . . . . . 9
- Using the Dishwasher . . . . . 6, 7

**Troubleshooting Tips** . . . 11, 12

### Consumer Support

- Consumer Support . . .Back Cover
- Product Registration . . . . .13, 14
- Warranty . . . . . 15

**Write the model and serial numbers here:**

**Model #** \_\_\_\_\_

**Serial #** \_\_\_\_\_

You can find them on the tub wall just inside the door.



# IMPORTANT SAFETY INFORMATION. READ ALL INSTRUCTIONS BEFORE USING.

## **WARNING!**

*For your safety, the information in this manual must be followed to minimize the risk of fire or explosion, electric shock, or to prevent property damage, personal injury, or death.*



## WATER HEATER SAFETY

*Under certain conditions hydrogen gas may be produced in a water heater that has not been used for two weeks or more. **HYDROGEN GAS IS EXPLOSIVE.***

If the hot water has not been used for two weeks or more, prevent the possibility of damage or injury by turning on all hot water faucets and allow them to run for several minutes. Do this before using any electrical appliance which is connected to the hot water system. This simple procedure will allow any built-up hydrogen gas to escape. Since the gas is flammable, do not smoke or use an open flame or appliance during this process.

*Use this appliance only for its intended purpose as described in this Owner's Manual.*



## PROPER INSTALLATION AND MAINTENANCE

*This dishwasher must be properly installed and located in accordance with the Installation Instructions before it is used. If you did not receive an Installation Instructions sheet with your dishwasher, you can receive one by visiting our Website at [GEAppliances.com](http://GEAppliances.com).*

- Connect to a grounded metal, permanent wiring system; or run an equipment-grounding conductor with the circuit conductors and connect to the equipment-grounding terminal or lead of the appliance.
- Improper connection of the equipment-grounding conductor can result in a risk of electric shock. Check with a qualified electrician or service representative if you are in doubt whether the appliance is properly grounded.
- Use supply conductors rated at least 75°C (167°F).
- Dispose of discarded appliances and shipping or packing material properly.
- Do not attempt to repair or replace any part of your dishwasher unless it is specifically recommended in this manual. All other servicing should be referred to a qualified technician.
- To minimize the possibility of electric shock, disconnect this appliance from the power supply before attempting any maintenance. **NOTE:** Turning the dishwasher off does not disconnect the appliance from the power supply. We recommend having a qualified technician service your appliance.

## **WARNING!**

### DO NOT...



- Do not tamper with controls.
- Do not abuse, sit on, or stand on the door or dish rack of the dishwasher.
- Do not discard a dishwasher without first removing the door or removing the door latch.
- Do not store or use combustible materials, gasoline or other flammable vapors and liquids in the vicinity of this or any other appliance.
- Do not allow children to play around dishwasher when opening or closing door due to the possibility of small fingers being pinched in door.
- Do not allow children to play with, on or inside this appliance or any discarded appliance.

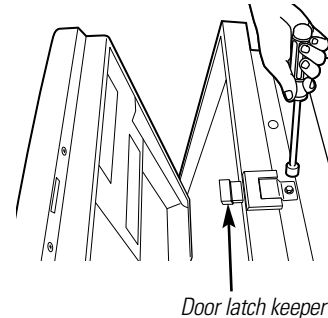
## **⚠ WARNING! RISK OF CHILD ENTRAPMENT**

### PROPER DISPOSAL OF THE DISHWASHER

Junked or abandoned dishwashers are dangerous...even if they will sit for “just a few days.” If you are getting rid of your old dishwasher, please follow the instructions below to help prevent accidents.

#### **Before You Throw Away Your Old Dishwasher:**

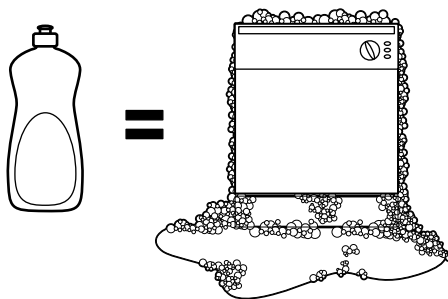
- Take off the door of the washing compartment or remove the door latch keeper (as shown).



### WHEN USING YOUR DISHWASHER

**⚠ CAUTION:** Contents washed in Anti-Bacteria cycle may be hot to the touch. Use care before unloading.

- Use only powder, tabs, liquid detergents or rinse agents recommended for use in a dishwasher and keep them out of the reach of children. **Cascade®**, **Cascade® Complete** and **Electrasol®** Automatic Dishwashing Detergents, and **Jet-Dry®** and **Cascade Rinse Aid®** rinse agents have been approved for use in all GE dishwashers.
- Using a detergent that is not specifically designed for dishwashers will cause the dishwasher to fill with suds.



- Locate sharp items so that they are not likely to damage the door seal.

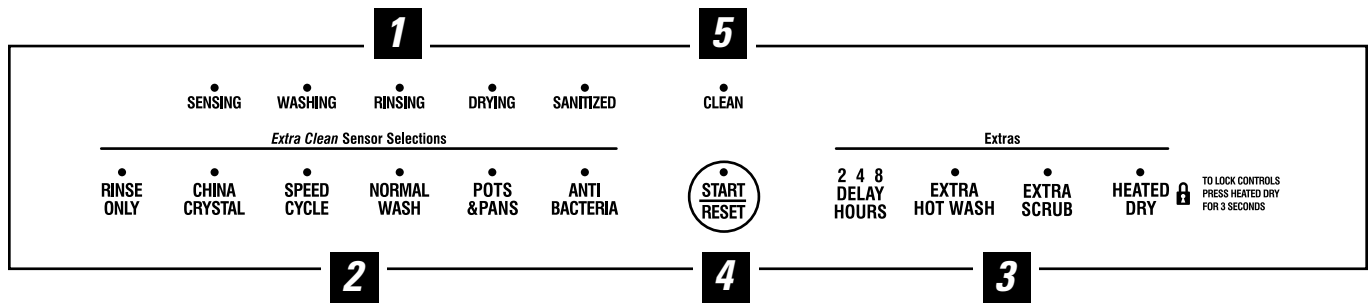
- Load sharp knives with the handles up to reduce the risk of cut-type injuries.
- Do not wash plastic items unless marked *dishwasher safe* or the equivalent. For plastic items not so marked, check the manufacturer's recommendations.
- Non-Dishware Items: Do not wash items such as electronic air cleaner filters, furnace filters and paint brushes in your dishwasher. Damage to dishwasher and discoloration or staining of dishwasher may result.
- Do not touch the heating element during or immediately after use.
- Do not operate your dishwasher unless all enclosure panels are properly in place.
- Close supervision is necessary if this appliance is used by or near children.
- Load light, plastic items so they will not become dislodged and drop to the bottom of the dishwasher—they might come into contact with the heating element and be damaged.



**READ AND FOLLOW THIS SAFETY INFORMATION CAREFULLY.**  
**SAVE THESE INSTRUCTIONS**

## About the dishwasher control panel.

You can locate your model number on the tub wall just inside the door. Throughout this manual, features and appearance may vary from your model.



## Control Settings

### 1 Status Indicator Lights

The Status display tells you what's happening while the dishwasher is in operation and may flash, indicating a malfunction (see page 6). The lights will come **ON** indicating the sequence of operation the dishwasher is in.

**SENSING** Displayed while the ExtraClean™ Sensor is measuring the amount of soil and temperature of water. (on some models) The dishwasher will adjust the selected cycle to achieve optimal performance.

**WASHING** Displayed during prewash and main wash periods. (on some models)

**RINSING** Displayed during rinse periods. (on some models)

**DRYING** Displayed during **HEATED DRY**. (on some models)

**SANITIZED** Displayed when cycle has met sanitization conditions. Light remains **ON** until door is opened.

**CLEAN** Displayed when a wash cycle is complete. The light will remain **ON** until door is opened.

### 2 ExtraClean™ Sensor Selections

The light above the selected pad will be **ON** to indicate which **ExtraClean™ Sensor Selection** has been selected.

**ANTI-BACTERIA** **Heavy** 10.0 gal., 93 min.  
**or SANI WASH** **Medium** 8.6 gal., 90 min.  
**Light** 7.2 gal., 90 min.

This cycle raises the water temperature in the final rinse to sanitize your dishware. The cycle length will vary depending on the temperature of your inlet water.

**NOTE:** The Anti-Bacteria cycle is monitored for sanitization requirements. If the cycle is interrupted during or after the main wash portion or if the incoming water temperature is so low that adequate water heating cannot be achieved, the sanitizing conditions may not be met. In these cases, the sanitized light will not illuminate at the end of the cycle.

**NOTE:** NSF certified residential dishwashers are not intended for licensed food establishments.

**POTS & PANS** **Heavy** 11.4 gal., 95 min.  
**Medium** 10.0 gal., 71 min.  
**Light** 10.0 gal., 66 min.

This cycle is meant for heavily soiled dishes or cookware with dried-on or baked-on soils. This cycle may not remove burned-on foods. Everyday dishes are safe to be used in this cycle.

**NORMAL WASH** **Heavy** 9.9 gal., 74 min.  
**Medium** 7.0 gal., 61 min.  
**Light** 5.6 gal., 48 min.

This cycle is for medium/heavily soiled dishes and glassware.

**SPEED CYCLE** **Heavy** 9.3 gal., 36 min.  
**or** **Medium** 7.2 gal., 36 min.  
**SPEED WASH** **Light** 5.7 gal., 33 min.  
 (on some models)

This cycle is for everyday dishes and glassware.

**CHINA CRYSTAL** **Heavy** 10.0 gal., 49 min.  
 (on some models) **Medium** 7.2 gal., 36 min.  
**Light** 7.2 gal., 36 min.

This cycle is for lightly soiled china and crystal.

**RINSE ONLY** **Heavy** 2.9 gal., 7 min.  
**Light** 1.4 gal., 3 min.

For rinsing partial loads that will be washed later. Do not use detergent with this cycle.

**NOTE:** This dishwasher is equipped with an ExtraClean™ Sensor with automatic temperature control; therefore cycle length and time may vary depending on soil and temperature conditions.

**NOTE:** Only the Anti-Bacteria cycle has been designed to meet the requirements of Section 6, NSF 184 for soil removal and sanitization efficacy.


### 3 Extras

*The light above the selected pad will be ON to indicate which **EXTRA** has been selected.*

**EXTRA** For use with heavily soiled and/or dried-on, baked-on soils. This option **MUST** be selected  
**SCRUB PRIOR** to starting the cycle. *This option adds 16 minutes to the cycle time.*  
 (on some models) **NOTE:** Cannot be selected with **RINSE ONLY** cycle.

**HEATED DRY** Shuts off the drying heat option. Dishes air dry naturally and energy is saved. For faster air dry,  
*Light OFF* you can prop the door open after the **CLEAN** light illuminates.

**HEATED DRY** Turns the heater on for fast drying. This will extend the time to your wash cycle by 8 minutes  
*Light ON* for the **SPEED CYCLE** and 30 minutes for all other cycles. **NOTE:** Cannot be selected with  
**RINSE ONLY** cycle.

**LOCK**  You can lock the controls to prevent any selections from being made. Or you can lock the  
 controls after you have started a cycle.

*Children cannot accidentally start dishwasher by touching pads with this option selected.*

To unlock the dishwasher controls, press and hold the **HEATED DRY** pad for 3 seconds.  
 To lock the dishwasher, press and hold the **HEATED DRY** pad for 3 seconds. The light above  
 the **LOCK** pad will turn off.

**EXTRA** When selected, the cycle will run longer with heating elements on to improve both wash and  
**HOT WASH** dry performance. **NOTE:** Cannot be selected with **RINSE ONLY** cycle.

**DELAY HOURS** You can delay the start of a wash cycle for up to 8 hours. Press the **DELAY HOURS** pad to  
 choose the number of hours you want to delay the start of the cycle, then press **START/RESET**.  
 The machine will count down and start automatically at the correct time. **Pressing START/RESET  
 a second time will cancel the DELAY START selection.** **NOTE:** If you forget to fully close the  
 door, a reminder signal will beep until you do so.

**RESET** To change a cycle after washing starts, touch the **START/RESET** pad to cancel the cycle.  
 The **START/RESET** light will flash while the water is pumped out if needed. This takes  
 approximately 90 seconds. When the light stops flashing, the dishwasher can be reprogrammed  
 and restarted.

## About the dishwasher control panel.

### 4 Start

Close the dishwasher door and select the cycle and desired enhancements. Touch the **START/RESET** pad to begin the cycle. Water fill begins, and approximately 60 seconds later the wash action begins.

**NOTE:** The dishwasher remembers your last cycle so you don't have to reprogram each time. When the dishwasher door is fully closed, the control panel lights will display the last settings you selected.

### 5 Clean

The **CLEAN** light is illuminated when a wash cycle is complete. The light will stay **ON** until the door is opened.

If you don't want to change any of the settings, simply touch the **START/RESET** pad to begin the cycle.

If the door is closed the indicator lights will turn off if the **START/RESET** pad is not selected within two minutes. To activate the display, open and close the door or press any pad.

Also, if a power failure occurs, **NORMAL** and **HEATED DRY** will automatically be programmed. Make any new selections and touch the **START/RESET** pad to begin the cycle.

## Flashing display lights.

### Status Indicator Lights

### What It Means

#### START/RESET

Cycle has been interrupted by pressing the **START/RESET** pad. Light will quit flashing after the dishwasher automatically drains out the water.

## Using the dishwasher.



### Check the Water Temperature

The entering water should be at least 120°F and not more than 150°F, for effective cleaning and to prevent dish damage. Check the water temperature with a candy or meat thermometer. Turn on the hot water

faucet nearest the dishwasher, place the thermometer in a glass and let the water run continuously into the glass until the temperature stops rising.



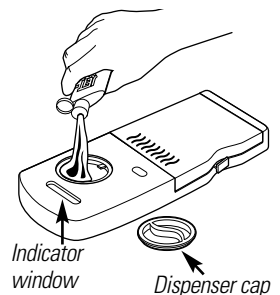
### Use Jet-Dry® or Cascade Rinse Aid® Rinse Agent

**Jet-Dry®** or **Cascade Rinse Aid®** rinse agent removes spots and prevents new film buildup on your dishes, glasses, flatware, cookware and plastic.

#### Filling the Dispenser

The rinse agent dispenser holds 3.5 oz. of rinse agent. Under normal conditions, this will last approximately one month. Try to keep it full, but do not overfill.

- 1 Make sure the dishwasher door is fully open.
- 2 Turn the dispenser knob to the left and lift it out.
- 3 Add rinse agent until the indicator window looks full.
- 4 Clean up any spilled rinse agent with a damp cloth.
- 5 Replace the dispenser knob.

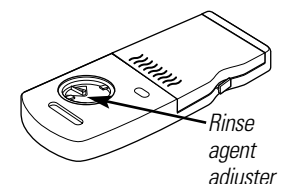


#### Rinse Aid Setting

The amount of rinse agent released into the final wash can be adjusted. The factory setting is at the midpoint. If there are rings of calcium (hard water) spots on dishes, try a higher setting.

#### To adjust the setting

Remove the dispenser knob, then turn the adjuster counterclockwise to increase the amount of rinse agent.



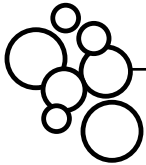
## Dish Preparation Prior to Loading

- No pre-rinsing of normal food soil is required.
- Scrape off hard soils, including bones, toothpicks, skins and seeds.
- Remove large quantities of any remaining food.
- Remove leafy vegetables, meat trimmings, and excessive amounts of grease or oil.
- Remove acidic food soils that can discolor stainless steel.



## Using the Dishwasher Door

- 1 The door must be closed to select a **LOAD SELECTION** or an **ENHANCEMENT**.
- 2 If the door is opened during a cycle and left open, *the dishwasher will beep once every minute* until the door is closed.



## Proper Use of Detergent

Use only detergent specifically made for use in dishwashers. **Cascade**<sup>®</sup>, **Cascade Complete** and **Electrasol**<sup>®</sup> Automatic Dishwashing Detergents have been approved for use in all GE dishwashers. Keep your detergent fresh and dry. Don't put powder detergent into the dispenser until you're ready to wash dishes.

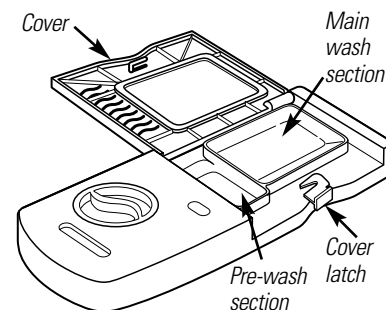
All wash cycles except **RINSE ONLY** require detergent in the main and pre-wash cup. The amount of detergent to use depends on whether your water is *hard* or *soft*. With hard water, fill the main wash section and pre-wash section completely. With soft water, fill both sections halfway. When using automatic dishwashing detergent tabs, simply place one tab in the main wash section and close.

Protect your dishes and dishwasher by contacting your water department and asking how hard your water is. Twelve or more grains is extremely hard water. A water softener is recommended. Without it, lime can build up in the water valve, which could stick while open and cause flooding. Too much detergent with soft water can cause a permanent cloudiness of glassware, called *etching*.

## Filling the Dispenser

- 1 If the dispenser cover is closed, open the cover by depressing the cover latch.
- 2 Fill the Main Wash section with detergent.
- 3 Fill the Pre-Wash section if needed.
- 4 Close the dispenser cover.

It is normal for the cover to open partially when dispensing detergent.



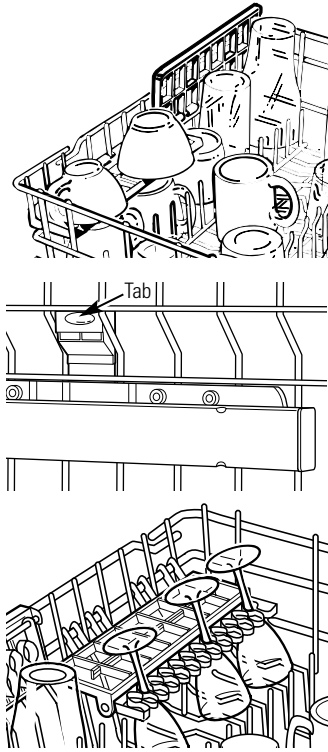
## Forget to Add a Dish?

A forgotten dish can be added any time before the main wash.

- 1 Squeeze the door latch to release the door.
- 2 Do not open the door until the water spray action stops. Steam may rise out of the dishwasher.
- 3 Add forgotten dishes.
- 4 Close the door.

## Loading the dishwasher racks.

For best dishwashing results, follow these loading guidelines. Features and appearance of racks and silverware baskets may vary from your model.



### Upper Rack

Although the upper rack is for glasses, cups and saucers, pots and pans can be placed in this rack for effective cleaning. Cups and glasses fit best along the sides. This is also a secure place for dishwasher-safe plastics.

The upper rack is adjustable (on some models) to add flexibility in loading your dishwasher. To lower, push tabs in and lower rack. To raise, just pull up on rack until it snaps.

The utility shelf (on some models) may be placed in the up or down position to add flexibility. A wine glass holder (on some models) secures wine glasses for best washability. Because wine glasses come in various sizes, after loading, slowly push in the rack to make sure they will clear the top of the dishwasher.

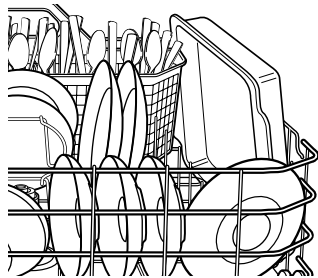
The upper rack is good for all kinds of odd-shaped utensils. Saucepans, mixing bowls and other items should be placed face down. Fold-down tines (on some models) provide flexibility for extra-large and hard-to-fit items.

*Secure larger dishwasher-safe plastics over 2 tines when possible.*

*Make sure small plastic items are secure so they can't fall onto the heater.*

*Be sure that items do not protrude through the bottom of the rack and block rotation of the middle spray arm. This could result in poor wash performance for items in the upper rack.*

*Check to make sure that no items will block rotation of the wash arms.*



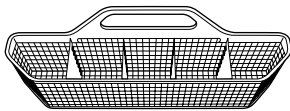
### Lower Rack

The lower rack is best used for plates, saucers and cookware. Large items such as broiler pans and baking racks should go along the left-hand side. Load platters, pots and bowls along the sides, in corners or in the back. The soiled side of items should face the center of the rack. If necessary, oversized glasses and mugs can be placed in the lower rack to maximize loading flexibility.

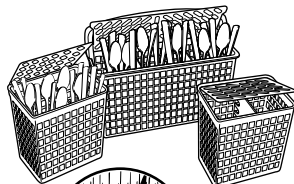
Also, be careful not to let a portion of an item such as a pot or dish handle extend through the bottom rack. This could block the wash arm and cause poor washing results.

Fold-down tines (on some models) provide flexibility for extra-large and hard-to-fit items. The tines may be left in the up position or folded down to customize the lower rack.

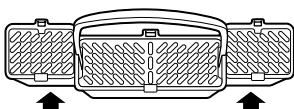
One-piece basket (on some models)



Three-piece basket (on some models)



*Don't let any item extend through bottom.*



8 To remove end baskets, grasp the basket at opposite corners and slide apart.

### Silverware Basket

To load flatware, simply push the adjustable handle to either side (on some models). Put flatware in the removable basket with fork and knife handles up to protect your hands. Place spoons in the basket with handles down. Mix knives, forks and spoons so they don't nest together. Distribute evenly. Small plastic items, such as measuring spoons and lids from small containers should go in the bottom of the silverware basket with the silverware on top.

The one-piece silverware basket (on some models) can be placed in the front, right side or back of the lower rack.

A variety of options is available regarding the three-piece silverware basket (on some models) in your dishwasher. The complete basket is designed to fit on the right side of the lower rack. Additionally, each end of the basket is removable to add loading flexibility to accommodate flatware and lower rack capacity needs.

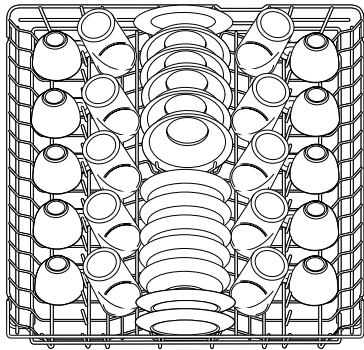
The lids of both end and middle baskets (on some models) can be closed to contain small items. Long items can be placed on the utility shelf in the upper rack.



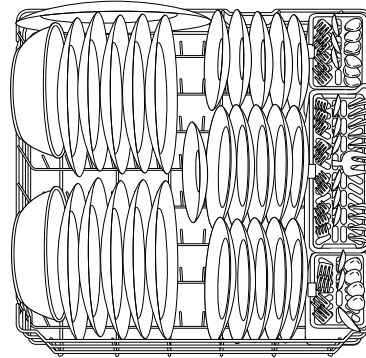
## Loading place settings...

www.GEAppliances.com

Follow these guidelines for loading 10 place settings. Features and appearance of racks and silverware baskets may vary from your model.

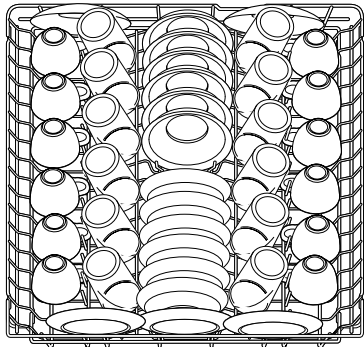


**Upper Rack—10 place settings**

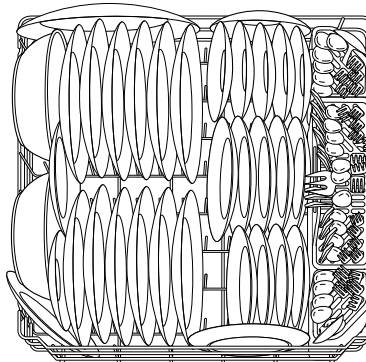


**Lower Rack—10 place settings**

Follow these guidelines for loading 12 place settings. Features and appearance of racks and silverware baskets may vary from your model.



**Upper Rack—12 place settings**



**Lower Rack—12 place settings**

## About optional accessories.

You can change the appearance of your dishwasher to match your kitchen cabinets by ordering one of these optional accessories:

- 1/4" Wood Panel Trim Kit
- 3/4" Trimless Wood Panel Kit

These accessories are available at extra cost (VISA, MasterCard, or Discover cards accepted) by calling 800.626.2002.

Specify accessory number when ordering.



## Descriptions of Optional Accessories

**Wood panel trim kit**—This accessory contains trim and instructions for you to supply and install a 1/4" thick decorative wood door:

- GPF625B (Black)
- GPF625W (White)
- GPF625C (Bisque)
  
- GPF825B (Black)
- GPF825W (White)
- GPF825C (Bisque)

**Trimless wood panel kit**—This accessory contains parts and instructions for you to supply and install a 3/4" thick decorative wood door:

- GPF675B (Black)
- GPF675W (White)
- GPF675C (Bisque)
  
- GPF875B (Black)
- GPF875W (White)
- GPF875C (Bisque)

## Caring for the dishwasher.

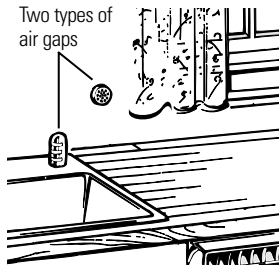
To clean the control panel, use a lightly dampened cloth, then dry thoroughly. To clean the exterior, use a good appliance polish wax.

Never use sharp objects, scouring pads or harsh cleaners on any part of the dishwasher.

### Protect Against Freezing

If your dishwasher is left in an unheated place during the winter, ask a service technician to:

- 1 Cut off electrical power to the dishwasher. Remove fuses or trip circuit breaker.
- 2 Turn off the water supply and disconnect the water inlet line from the water valve.
- 3 Drain water from the water inlet line and water valve. (Use a pan to catch the water.)
- 4 Reconnect the water inlet line to the water valve.



Check the air gap any time your dishwasher isn't draining well.

### Does Your Dishwasher Have an Air Gap?

An air gap protects your dishwasher against water backing up into it if a drain clogs. The air gap is not a part of the dishwasher. It is not covered by your warranty. Not all plumbing codes require air gaps, so you may not have one.

**The air gap is easy to clean.**

- 1 Turn off the dishwasher and lift off the chrome cover.
- 2 Remove the plastic cap and clean with a toothpick.

### The Stainless Steel Panels

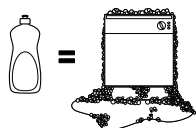
The stainless steel panels can be cleaned with *Stainless Steel Magic* or a similar product using a clean, soft cloth.

You can order *Stainless Steel Magic* # WX10X15 through GE Parts by calling 800.626.2002.



**Troubleshooting Tips**  
Save time and money! Review the charts on the following pages, or visit **GEAppliances.com**. You may not need to call for service.

| <b>Problem</b>                                                  | <b>Possible Causes</b>                                                           | <b>What To Do</b>                                                                                                                                                                                                                                                                                                                                                                                                                                                                                                                                                                                      |
|-----------------------------------------------------------------|----------------------------------------------------------------------------------|--------------------------------------------------------------------------------------------------------------------------------------------------------------------------------------------------------------------------------------------------------------------------------------------------------------------------------------------------------------------------------------------------------------------------------------------------------------------------------------------------------------------------------------------------------------------------------------------------------|
| <b>Control panel lights go off when you're setting controls</b> | Time too long between touching of selected pads                                  | <ul style="list-style-type: none"> <li>Each pad must be touched within 30 seconds of the others. To relight, touch any pad again, or unlock and relatch door.</li> </ul>                                                                                                                                                                                                                                                                                                                                                                                                                               |
| <b>Noise</b>                                                    | Some of the sounds you'll hear are normal                                        | <ul style="list-style-type: none"> <li>Detergent cup opening.</li> <li>The motor stopping during the drying period.</li> <li>Water draining out of the tub immediately after you touch <b>START/RESET</b> pad.</li> </ul>                                                                                                                                                                                                                                                                                                                                                                              |
|                                                                 | Utensils are not secure in the rack or something small has dropped into the rack | <ul style="list-style-type: none"> <li>Make sure everything is secured in dishwasher.</li> </ul>                                                                                                                                                                                                                                                                                                                                                                                                                                                                                                       |
|                                                                 | Motor hums                                                                       | <ul style="list-style-type: none"> <li>Dishwasher has not been used on a regular basis. If you do not use your dishwasher often, set it to fill and pump out once every week. This will help keep the seal moist.</li> </ul>                                                                                                                                                                                                                                                                                                                                                                           |
| <b>Detergent left in dispenser cups</b>                         | Dishes are blocking the detergent cups                                           | <ul style="list-style-type: none"> <li>Reposition the dishes.</li> </ul>                                                                                                                                                                                                                                                                                                                                                                                                                                                                                                                               |
| <b>Water standing in the bottom of the tub</b>                  | This is normal                                                                   | <ul style="list-style-type: none"> <li>A small amount of clean water around the outlet on the tub bottom at the back of the tub keeps the water seal lubricated.</li> </ul>                                                                                                                                                                                                                                                                                                                                                                                                                            |
| <b>Water won't pump out of the tub</b>                          | Drain is clogged                                                                 | <ul style="list-style-type: none"> <li>If you have an air gap, clean it.</li> </ul>                                                                                                                                                                                                                                                                                                                                                                                                                                                                                                                    |
|                                                                 |                                                                                  | <ul style="list-style-type: none"> <li>Check to see if your kitchen sink is draining well. If not, you may need a plumber.</li> </ul>                                                                                                                                                                                                                                                                                                                                                                                                                                                                  |
|                                                                 |                                                                                  | <ul style="list-style-type: none"> <li>If the dishwasher drains into a disposer, run disposer clear.</li> </ul>                                                                                                                                                                                                                                                                                                                                                                                                                                                                                        |
| <b>Suds in the tub</b>                                          | Correct detergent wasn't used                                                    | <ul style="list-style-type: none"> <li>Use only automatic dishwasher detergents to avoid sudsing. <b>Cascade</b><sup>®</sup>, <b>Cascade</b><sup>®</sup> <b>Complete</b> and <b>Electrasol</b><sup>®</sup> Automatic Dishwashing Detergents have been approved for use in all GE dishwashers.</li> <li>To remove suds from the tub, open the dishwasher and let suds evaporate. Add 1 gallon of cold water to the tub. Close and latch the dishwasher. Pump out water by pressing the <b>START/RESET</b> pad; then immediately press the <b>START/RESET</b> pad again. Repeat if necessary.</li> </ul> |
|                                                                 | Rinse agent was spilled                                                          | <ul style="list-style-type: none"> <li>Always wipe up rinse agent spills immediately.</li> </ul>                                                                                                                                                                                                                                                                                                                                                                                                                                                                                                       |
| <b>Stained tub interior</b>                                     | Detergent with colorant was used                                                 | <ul style="list-style-type: none"> <li>Some detergents contain colorant (pigment or dyes) that will discolor the tub interior with extended use. Check the detergent cup for signs of any discoloration. If cup is discolored, change to detergent without any colorant. <b>Cascade</b><sup>®</sup>, <b>Cascade</b><sup>®</sup> <b>Complete</b> and <b>Electrasol</b><sup>®</sup> Automatic Dishwashing Detergents have been approved for use in all GE dishwashers.</li> </ul>                                                                                                                        |
|                                                                 | Some tomato-based foods can stain                                                | <ul style="list-style-type: none"> <li>Use of the <b>RINSE ONLY</b> cycle (on some models) after adding the dish to the load can decrease the level of staining. GE recommends <b>Cascade</b><sup>®</sup> <b>Power Booster</b> to help remove these types of stains.</li> </ul>                                                                                                                                                                                                                                                                                                                        |
| <b>Dishes and flatware not clean</b>                            | Low inlet water temperature                                                      | <ul style="list-style-type: none"> <li>Make sure inlet water temperature is correct (see page 6).</li> </ul>                                                                                                                                                                                                                                                                                                                                                                                                                                                                                           |
|                                                                 | Water pressure is temporarily low                                                | <ul style="list-style-type: none"> <li>Turn on a faucet. Is water coming out more slowly than usual? If so, wait until pressure is normal before using your dishwasher.</li> </ul>                                                                                                                                                                                                                                                                                                                                                                                                                     |
|                                                                 | Air gap is clogged                                                               | <ul style="list-style-type: none"> <li>Clean the air gap.</li> </ul>                                                                                                                                                                                                                                                                                                                                                                                                                                                                                                                                   |
|                                                                 | Improper rack loading                                                            | <ul style="list-style-type: none"> <li>Make sure large dishware does not block the detergent dispenser or the wash arms.</li> </ul>                                                                                                                                                                                                                                                                                                                                                                                                                                                                    |



# Before you call for service...

Safety Instructions

Operating Instructions

Troubleshooting Tips

Consumer Support

| Problem                                                                                       | Possible Causes                                                                                                                                                                              | What To Do                                                                                                                                                                                                                                                                                                                                                                                                                                                                                                                                                                                                                                                                                                                                                                                                                                            |
|-----------------------------------------------------------------------------------------------|----------------------------------------------------------------------------------------------------------------------------------------------------------------------------------------------|-------------------------------------------------------------------------------------------------------------------------------------------------------------------------------------------------------------------------------------------------------------------------------------------------------------------------------------------------------------------------------------------------------------------------------------------------------------------------------------------------------------------------------------------------------------------------------------------------------------------------------------------------------------------------------------------------------------------------------------------------------------------------------------------------------------------------------------------------------|
| <b>Spots and filming on glasses and flatware</b>                                              | Extremely hard water<br>Low inlet water temperature<br>Overloading the dishwasher<br>Improper loading<br>Old or damp powder detergent<br>Rinse agent dispenser empty<br>Too little detergent | <ul style="list-style-type: none"> <li>Use <b>Jet-Dry®</b> and <b>Cascade Rinse Aid®</b> rinse agents to remove spots and prevent new film buildup.</li> <li>To remove stubborn spots and pre-existing film from glassware:               <ol style="list-style-type: none"> <li>1 Remove all metal utensils from the dishwasher.</li> <li>2 Do not add detergent.</li> <li>3 Select the <b>POTS &amp; PANS</b> cycle.</li> <li>4 Start the dishwasher and allow to run for 18 to 22 minutes. Dishwasher will now be in the main wash.</li> <li>5 Open the door and pour 2 cups (500 ml) of white vinegar into the bottom of the dishwasher.</li> <li>6 Close the door and allow to complete the cycle. If vinegar rinse doesn't work: Repeat as above, except use 1/4 cup (60 ml) of citric acid crystals instead of vinegar.</li> </ol> </li> </ul> |
| <b>Cloudiness on glassware</b>                                                                | Combination of soft water and too much detergent<br><br>Water temperature entering the dishwasher exceeds 150°F                                                                              | <ul style="list-style-type: none"> <li>This is called <i>etching</i> and is permanent. To prevent this from happening, use less detergent if you have soft water. Wash glassware in the shortest cycle that will get them clean.</li> <li>Lower the water heater temperature.</li> </ul>                                                                                                                                                                                                                                                                                                                                                                                                                                                                                                                                                              |
| <b>Black or gray marks on dishes</b>                                                          | Aluminum utensils have rubbed against dishes                                                                                                                                                 | <ul style="list-style-type: none"> <li>Remove marks with a mild, abrasive cleaner.</li> </ul>                                                                                                                                                                                                                                                                                                                                                                                                                                                                                                                                                                                                                                                                                                                                                         |
| <b>Yellow or brown film on inside surfaces</b>                                                | Tea or coffee stains<br><br>An overall yellow or brown film can be caused by iron deposits in water                                                                                          | <ul style="list-style-type: none"> <li>Remove the stain by hand, using a solution of 1/2 cup bleach and 3 cups warm water.</li> <li><b>▲ WARNING</b><br/>Before cleaning interior wait at least 20 minutes after a cycle for the heating element to cool down. Failure to do so can result in burns.</li> <li>A special filter in the water supply line is the only way to correct this problem. Contact a water softener company.</li> </ul>                                                                                                                                                                                                                                                                                                                                                                                                         |
| <b>White film on inside surfaces</b>                                                          | Hard water minerals                                                                                                                                                                          | <ul style="list-style-type: none"> <li>GE recommends <b>Jet-Dry®</b> or <b>Cascade Rinse Aid®</b> to help remove some hard water mineral stains.</li> <li>For extreme staining, clean the interior by applying dishwasher detergent to a damp sponge. Wear rubber gloves. <b>Do not</b> use any type of cleaner other than those recommended or hand dishwashing detergent because it may cause foaming or sudsing. <b>Cascade®, Cascade® Complete</b> and <b>Electrasol®</b> Dishwashing Detergents have been approved for use in all GE dishwashers.</li> </ul>                                                                                                                                                                                                                                                                                     |
| <b>Dishes don't dry</b>                                                                       | Low inlet water temperature<br><br>Rinse agent dispenser is empty                                                                                                                            | <ul style="list-style-type: none"> <li>Make sure inlet water temperature is correct (see page 6).</li> <li>Select <b>HEATED DRY</b>.</li> <li>Check the rinse agent dispenser.</li> </ul>                                                                                                                                                                                                                                                                                                                                                                                                                                                                                                                                                                                                                                                             |
| <b>Control panel responded to inputs but dishwasher never filled with water</b>               | Door latch may not be properly seated                                                                                                                                                        | <ul style="list-style-type: none"> <li>Call for service.</li> </ul>                                                                                                                                                                                                                                                                                                                                                                                                                                                                                                                                                                                                                                                                                                                                                                                   |
| <b>Dishwasher won't run</b>                                                                   | Fuse is blown, or the circuit breaker tripped                                                                                                                                                | <ul style="list-style-type: none"> <li>Replace fuse or reset circuit breaker. Remove any other appliances from the circuit.</li> <li>Try resetting the <b>START/RESET</b> pad.</li> </ul>                                                                                                                                                                                                                                                                                                                                                                                                                                                                                                                                                                                                                                                             |
| <b>Steam</b>                                                                                  | This is normal                                                                                                                                                                               | <ul style="list-style-type: none"> <li>Steam comes through the vent by the door latch during drying and when water is being pumped out.</li> </ul>                                                                                                                                                                                                                                                                                                                                                                                                                                                                                                                                                                                                                                                                                                    |
| <b>Sanitized light does not illuminate at the end of the cycle (Anti-Bacteria cycle only)</b> | The door was opened and the cycle was interrupted during or after the main wash portion<br><br>The incoming water temperature was too low                                                    | <ul style="list-style-type: none"> <li>Do not interrupt the cycle anytime during or after main wash.</li> <li>Raise the water heater temperature to 120°F.</li> </ul>                                                                                                                                                                                                                                                                                                                                                                                                                                                                                                                                                                                                                                                                                 |

## GE Service Protection Plus™

GE, a name recognized worldwide for quality and dependability, offers you Service Protection Plus™—comprehensive protection on all your appliances—**No Matter What Brand!**

**Benefits Include:**

- Backed by GE
- All brands covered
- Unlimited service calls
- All parts and labor costs included
- No out-of-pocket expenses
- No hidden deductibles
- One 800 number to call

***We'll Cover Any Appliance.  
Anywhere. Anytime.\****

You will be completely satisfied with our service protection or you may request your money back on the remaining value of your contract. No questions asked. It's that simple.

Protect your refrigerator, dishwasher, washer and dryer, range, TV, VCR and much more—**any brand!** Plus there's no extra charge for emergency service and low monthly financing is available. Even icemaker coverage and food spoilage protection is offered. You can rest easy, knowing that all your valuable household products are protected against expensive repairs.

Place your confidence in GE and call us in the U.S. toll-free at **800.626.2224** for more information.

\*All brands covered, up to 20 years old, in the continental U.S.



Please place in envelope and mail to:

***General Electric Company***  
**Warranty Registration Department**  
**P.O. Box 32150**  
**Louisville, KY 40232-2150**

# Consumer Product Ownership Registration

Dear Customer:

Thank you for purchasing our product and thank you for placing your confidence in us. We are proud to have you as a customer!

Follow these three steps to protect your new appliance investment:

# 1

Complete and mail your Consumer Product Ownership Registration today. Have the peace of mind of knowing we can contact you in the unlikely event of a safety modification.

# 2

After mailing the registration below, store this document in a safe place. It contains information you will need should you require service. Our service number is 800.GE.CARES (800.432.2737).


# 3

Read your Owner's Manual carefully. It will help you operate your new appliance properly.

Model Number

Serial Number

**Important: If you did not get a registration card with your product, detach and return the form below to ensure that your product is registered, or register online at [www.GEAppliances.com](http://www.GEAppliances.com).**

 Cut here

# Consumer Product Ownership Registration



Model Number

Serial Number

Mr.  Ms.  Mrs.  Miss

First Name

Last Name

Street Address

Apt. #

E-mail Address\*

City

State

Zip Code

Date Placed In Use  
Month

Day

Year

Phone Number --



**GE Appliances**

GE Consumer & Industrial  
Louisville, Kentucky  
[www.GEAppliances.com](http://www.GEAppliances.com)

\* Please provide your e-mail address to receive, via e-mail, discounts, special offers and other important communications from GE Appliances (GEA).

Check here if you do not want to receive communications from GEA's carefully selected partners.

**FAILURE TO COMPLETE AND RETURN THIS CARD DOES NOT DIMINISH YOUR WARRANTY RIGHTS.**

For information about GEA's privacy and data usage policy, go to [www.GEAppliances.com](http://www.GEAppliances.com) and click on "Privacy Policy" or call 800.626.2224.

# GE Dishwasher Warranty.



All warranty service provided by our Factory Service Centers, or an authorized Customer Care® technician. To schedule service, on-line, 24 hours a day, visit us at [www.GEAppliances.com](http://www.GEAppliances.com), or call 800.GE.CARES (800.432.2737).

Staple your receipt here.  
Proof of the original purchase date is needed to obtain service under the warranty.

## For The Period Of: GE Will Replace:

**One Year**  
From the date of the original purchase  
**Any part** of the dishwasher which fails due to a defect in materials or workmanship. During this **full one-year warranty**, GE will also provide, **free of charge**, all labor and in-home service to replace the defective part.

**Second Year**  
From the date of the original purchase  
**Any part** of the dishwasher which fails due to a defect in materials or workmanship. During this **second-year limited warranty**, you will be responsible for any labor or in-home service costs.

**Five Years**  
(for models EDW4000, EDW4060, GSD6200, GSD6300, GSD6500, GSD6560, GSD6600, GSD6660, GSD6700, GSD6760, GSD6860, GSD6900, GSD6960 and SSD4900)  
From the date of the original purchase  
**The electronic control module**, if it should fail due to a defect in materials or workmanship. During this **five-year limited warranty**, you will be responsible for any labor or in-home service costs.

**Five Years**  
(for EDW4000, EDW4060, GSD6500, GSD6560, GSD6600, GSD6660, GSD6700, GSD6760, GSD6860, GSD6900, GSD6960, GHDA980 and GHDA986 models only)  
From the date of the original purchase  
**The nylon-coated dishwasher racks**, if they fail due to a defect in materials or workmanship. During this **five-year limited warranty**, you will be responsible for any labor or in-home service costs.

**Ten Years**  
From the date of the original purchase  
**The PermaTuf® tub or door liner**, if it fails to contain water due to a defect in materials or workmanship. During this **full ten-year warranty**, GE will also provide, **free of charge**, all labor and in-home service to replace the defective part.

## What GE Will Not Cover:

- Service trips to your home to teach you how to use the product.
- Improper installation, delivery or maintenance.
- Failure of the product if it is abused, misused, or used for other than the intended purpose or used commercially.
- Replacement of house fuses or resetting of circuit breakers.
- Damage to the product caused by accident, fire, floods or acts of God.
- Incidental or consequential damage caused by possible defects with this appliance.
- Cleaning or servicing of the air gap device in the drain line.
- Damage caused after delivery.

This warranty is extended to the original purchaser and any succeeding owner for products purchased for home use within the USA. Proof of original purchase date is needed to obtain service under the warranty. In Alaska, the warranty excludes the cost of shipping or service calls to your home.

Some states do not allow the exclusion or limitation of incidental or consequential damages. This warranty gives you specific legal rights, and you may also have other rights which vary from state to state. To know what your legal rights are, consult your local or state consumer affairs office or your state's Attorney General.

**Warrantor: General Electric Company, Louisville, KY 40225**

## Consumer Support.

---

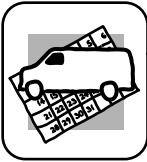


### *GE Appliances Website*

[www.GEAppliances.com](http://www.GEAppliances.com)

---

Have a question or need assistance with your appliance? Try the GE Appliances Website 24 hours a day, any day of the year! For greater convenience and faster service, you can now download Owner's Manuals, order parts, catalogs, or even schedule service on-line. You can also "Ask Our Team of Experts™" your questions, and so much more...



### *Schedule Service*

[www.GEAppliances.com](http://www.GEAppliances.com)

---

Expert GE repair service is only one step away from your door. Get on-line and schedule your service at your convenience 24 hours any day of the year! Or call 800.GE.CARES (800.432.2737) during normal business hours.



### *Real Life Design Studio*

[www.GEAppliances.com](http://www.GEAppliances.com)

---

GE supports the Universal Design concept—products, services and environments that can be used by people of all ages, sizes and capabilities. We recognize the need to design for a wide range of physical and mental abilities and impairments. For details of GE's Universal Design applications, including kitchen design ideas for people with disabilities, check out our Website today. For the hearing impaired, please call 800.TDD.GEAC (800.833.4322).

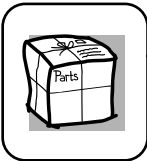


### *Extended Warranties*

[www.GEAppliances.com](http://www.GEAppliances.com)

---

Purchase a GE extended warranty and learn about special discounts that are available while your warranty is still in effect. You can purchase it on-line anytime, or call 800.626.2224 during normal business hours. GE Consumer Home Services will still be there after your warranty expires.



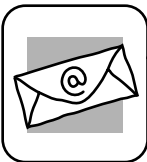
### *Parts and Accessories*

[www.GEAppliances.com](http://www.GEAppliances.com)

---

Individuals qualified to service their own appliances can have parts or accessories sent directly to their homes (VISA, MasterCard and Discover cards are accepted). Order on-line today, 24 hours every day or by phone at 800.626.2002 during normal business hours.

***Instructions contained in this manual cover procedures to be performed by any user. Other servicing generally should be referred to qualified service personnel. Caution must be exercised, since improper servicing may cause unsafe operation.***



### *Contact Us*

[www.GEAppliances.com](http://www.GEAppliances.com)

---

If you are not satisfied with the service you receive from GE, contact us on our Website with all the details including your phone number, or write to: General Manager, Customer Relations  
GE Appliances, Appliance Park  
Louisville, KY 40225



### *Register Your Appliance*

[www.GEAppliances.com](http://www.GEAppliances.com)

---

**Register your new appliance on-line—at your convenience!** Timely product registration will allow for enhanced communication and prompt service under the terms of your warranty, should the need arise. You may also mail in the pre-printed registration card included in the packing material, or detach and use the form in this Owner's Manual.

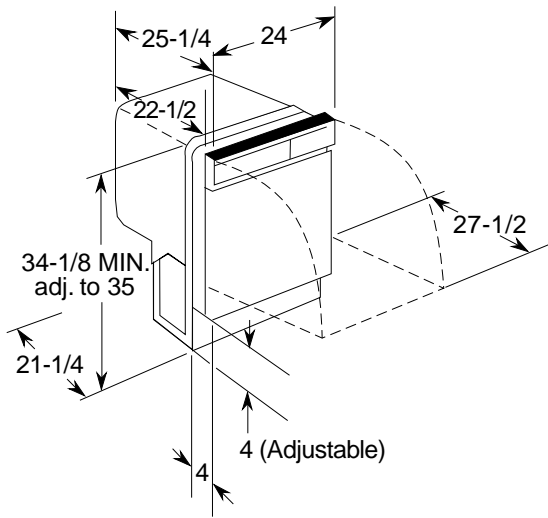




GE Appliances

## GSD6200G – GE Triton XL™ Built-In Dishwasher

### Built-In Dishwasher Dimensions (in inches)



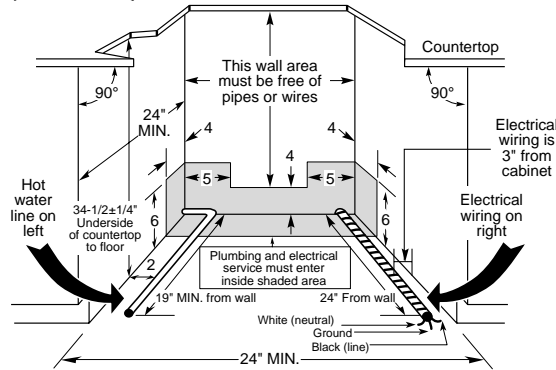
### Electrical Rating

|                               |     |
|-------------------------------|-----|
| Voltage AC                    | 120 |
| Hertz                         | 60  |
| Total connected load amperage | 9.1 |
| Calrod® heater watts max.     | 875 |

For use on adequately wired 120-volt, 15-amp circuit having 2-wire service with a separate ground wire. This appliance must be grounded for safe operation.

Specification Revised 6/02

### Installation Information (in inches)

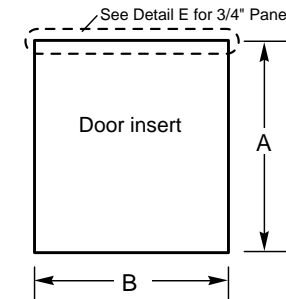


### Dishwasher Rough-In Information

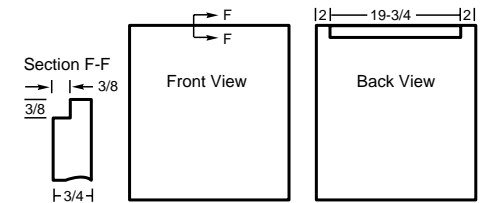
**Note:** Dishwasher must not be installed more than 10 feet from sink for proper drainage. All plumbing and electrical work must be in accordance with local codes.

The power cord and connections must comply with the National Electrical Code Section 422 and/or local codes and ordinances. The cord must be no longer than 6 ft. from the junction box to the receptacle.

### Wood Insert Cut-Out Dimensions (flat door models only)



### Detail E for 3/4 panel only



| Models/Kit               | A        | B       | C - Panel Thickness |
|--------------------------|----------|---------|---------------------|
| GE Models<br>GPF625 Kit* | 25-1/16" | 23-1/2" | 1/4"                |
| GPF675 Kit**             | 25-7/16" | 23-3/4" | 3/4"                |

\*GPF800 Heavy Spring Kit required for custom door panel weighing more than 4 lbs.

\*\*GPF800 Heavy Spring Kit included.



Listed by  
Underwriters  
Laboratories



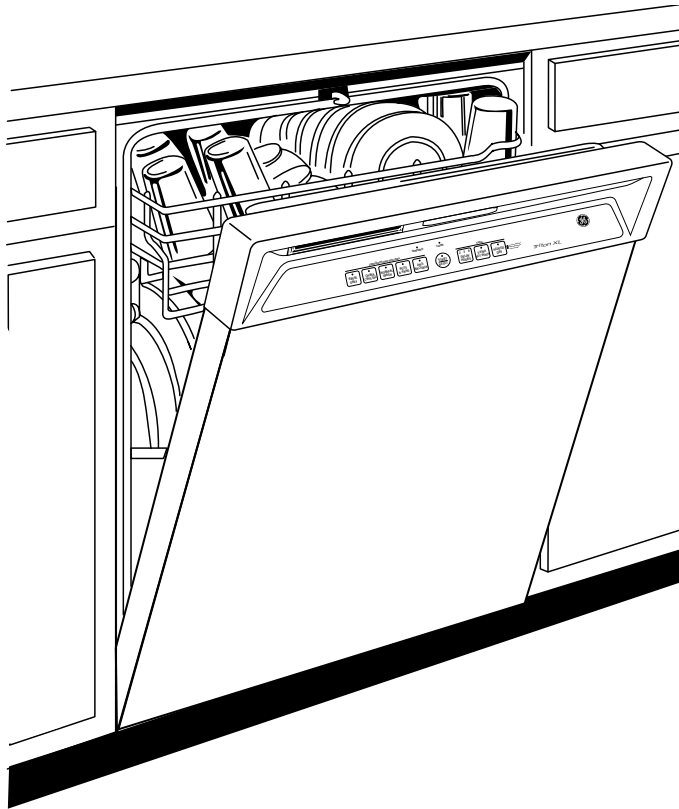
As an ENERGY STAR® partner, GE has determined that this product meets the ENERGY STAR® guidelines for energy efficiency.

For answers to your Monogram®, GE Profile™ or GE appliance questions, visit our website at [GEAppliances.com](http://GEAppliances.com) or call GE Answer Center® service, 800.626.2000.



GE Appliances

## GSD6200G – GE Triton XL™ Built-In Dishwasher



### Features and Benefits

- ENERGY STAR® Qualified
- Full-Length Flat Door
- Tall-Over-Tall™ Towerless Rack Design: Tiered Upper Rack w/PVC Tines and Two Utility Shelves, Lower Rack
- QuietPower™ IV Sound Insulation Package with ActiveVent II System
- XtraClean™ Wash System with Six Wash Levels
- XtraClean™ Sensor with Integrated Automatic Temperature Control
- Variable Cycles: Anti-Bacteria (NSF Certified), Pots & Pans, Normal Wash, China/Crystal and Rinse Only
- Three Full-Size, Direct-Feed Wash Arms
- 100% Triple Water Filtration System with XtraFine™ Filter/Dual Pumps and Motors
- Inlaid Light-Touch Electronic Controls with “Clean” and “Sanitized” Indicator Lights
- Silverware Basket with Two Cell Covers
- Multi-Wattage Heating Element
- Options: Start/Reset, Child Lock-Out, Delay Start (2/4/8 Hours), Heated Dry, ExtraHot Wash and Auto HotStart™ Feature
- Model GSD6200GWW – White on white
- Model GSD6200GBB – Black on black
- Model GSD6200GCC – Bisque

Specification Revised 6/02

# Installation Instructions

# Built-In Dishwasher

*If you have questions, call 800-GECARES or visit our website at: [www.GEAppliances.com](http://www.GEAppliances.com)*

## BEFORE YOU BEGIN

Read these instructions completely and carefully.

- **IMPORTANT** – Observe all governing codes and ordinances.
- **Note to Installer** – Be sure to leave these instructions for the consumer's and local inspector's use.
- **Note to Consumer** – Keep these instructions with your Owner's Manual for future reference.
- **Skill Level** – Installation of this dishwasher requires basic mechanical and electrical skills. **Proper installation is the responsibility of the installer. Product failure due to improper installation is not covered under the GE Appliance Warranty.**
- **Completion Time** – 1 to 3 Hours. New installations require more time than replacement installations.

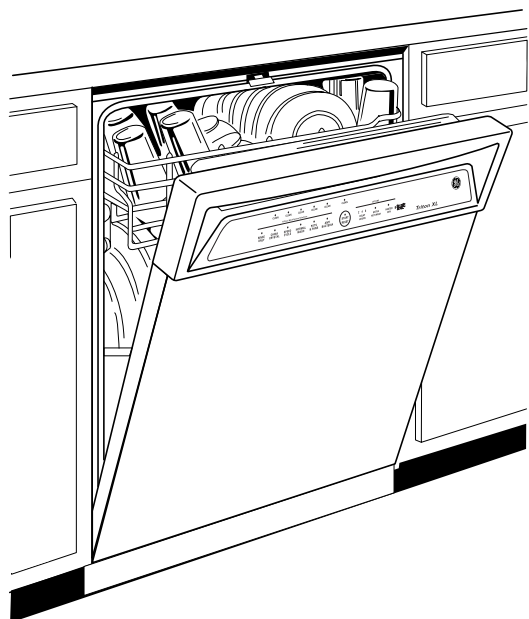
- **IMPORTANT** – The dishwasher **MUST** be installed to allow for future removal from the enclosure if service is required.

If you received a damaged dishwasher, you should immediately contact your dealer or builder.

**Optional Accessories** – See the Owner's Manual for available custom panel kits.

## FOR YOUR SAFETY

Read and observe all **CAUTIONS** and **WARNINGS** shown throughout these instructions. While performing installations described in this booklet, gloves, safety glasses or goggles should be worn.

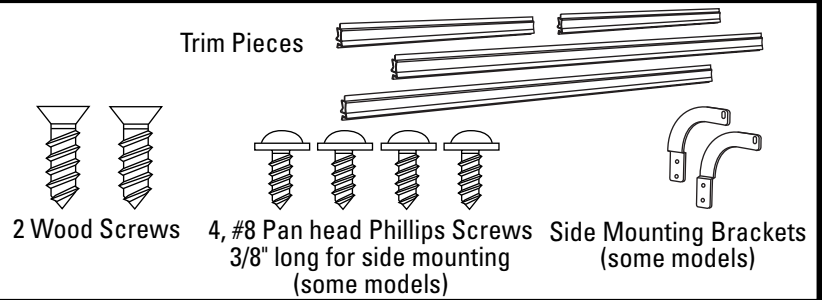


**READ CAREFULLY.  
KEEP THESE INSTRUCTIONS.**

# Installation Preparation

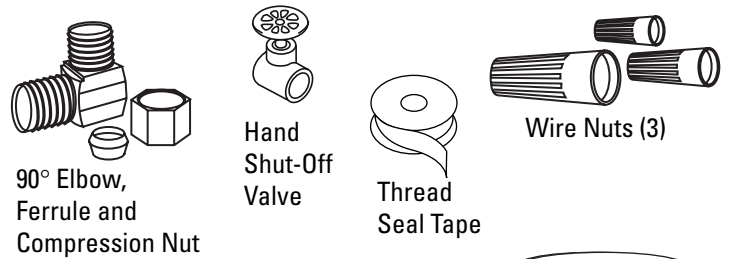
## PARTS SUPPLIED:

- Two #8 Phillips flat head wood screws, 5/8" long to secure dishwasher to underside of countertop or to side of cabinetry. (Taped to top or side of dishwasher.)
- Side and top trim pieces
- 2 Side mounting brackets with 4 mounting screws (for non-wood countertops) on some models



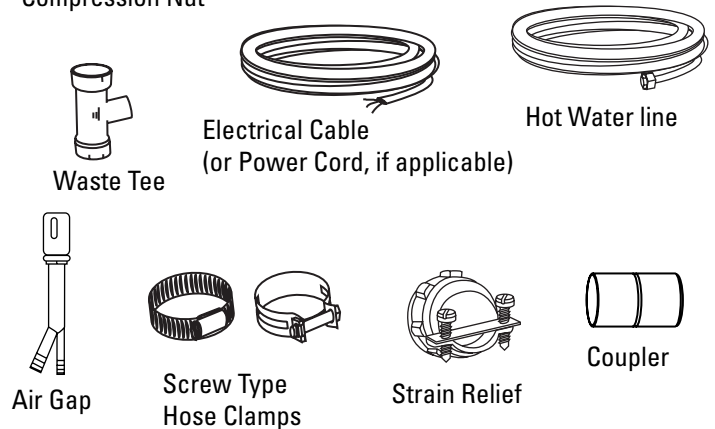
## MATERIALS YOU WILL NEED :

- Ferrule, compression nut and 90° Elbow (3/8"NPT external thread on one end, opposite end sized to fit water supply)
- Thread seal tape
- UL Listed wire nuts (3)



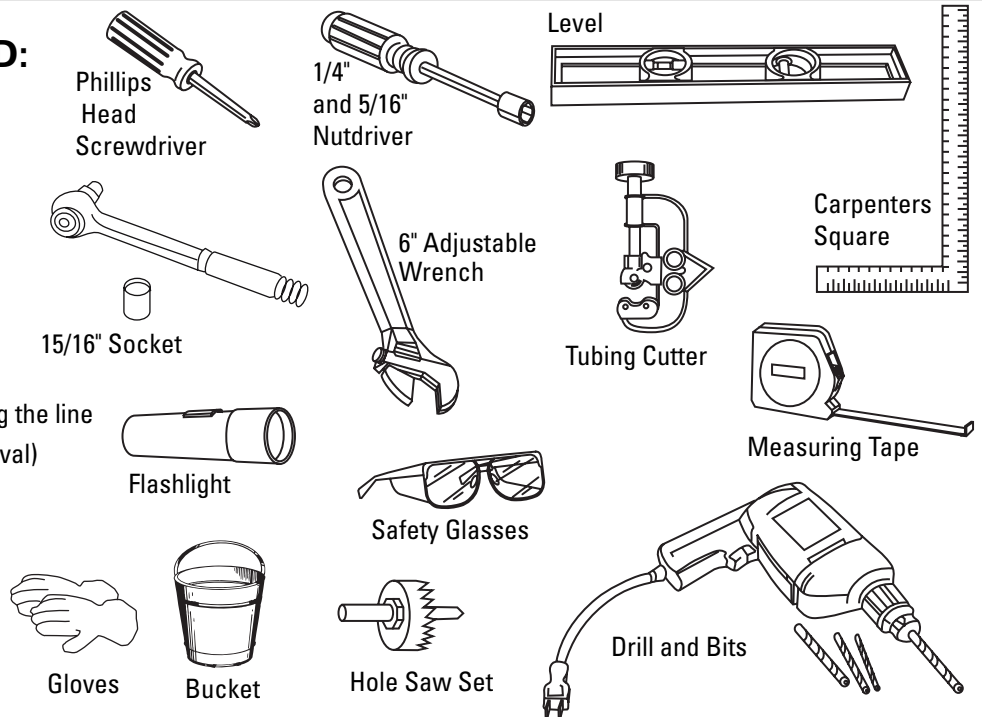
## Materials For New Installations Only:

- Air gap for drain hose, if required
- Waste tee for house plumbing, if applicable
- Electrical cable or power cord, if applicable
- Screw type hose clamps
- Strain relief for electrical connection.
- Hand shut-off valve (recommended)
- Water line 3/8" min. copper or 1/2" min. plastic (plastic must be tested for temperature and pressure)
- Coupler for extending drain line, if applicable



## TOOLS YOU WILL NEED:

- Phillips head screwdriver
- 5/16" and 1/4" nutdriver
- 6" Adjustable wrench
- Level
- Carpenters square
- Measuring tape
- Safety glasses
- Flashlight
- Bucket to catch water when flushing the line
- 15/16" socket (optional for skid removal)
- Gloves



## For New Installations Only:

- Tubing cutter
- Drill and appropriate bits
- Hole saw set

# Installation Preparation

## PREPARE DISHWASHER ENCLOSURE

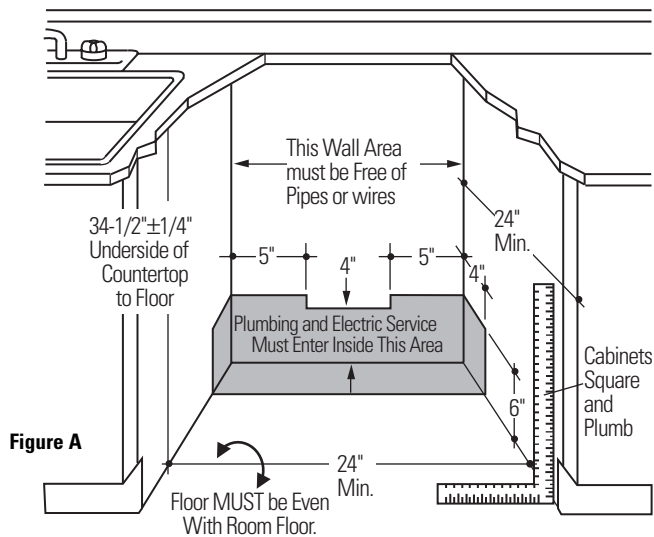


Figure A

- The rough cabinet opening must be at least 24" deep, 24" wide and approximately 34-1/2" high from floor to underside of the countertop.

- The dishwasher must be installed so that drain hose is no more than 10 feet in length for proper drainage.
- The dishwasher must be fully enclosed on the top, sides and back, and must not support any part of the enclosure.

**CLEARANCES:** When installed into a corner, allow 2" min. clearance between dishwasher and adjacent cabinet, wall or other appliances. Allow 28-3/8" min. clearance from the front of the dishwasher for door opening. Figure B

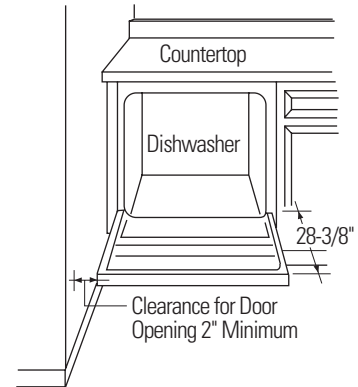


Figure B

## DRAIN REQUIREMENTS

- Follow local codes and ordinances.
- Do not exceed 10 feet distance to drain.

**Note:** This dishwasher is equipped with a high drain loop. There is no minimum height required for drain hose routing. However, 18" minimum from floor to center of waste tee or disposer inlet is required. See Figure D.

## DETERMINE DRAIN METHOD

The type of drain installation depends on the following question.

- Do local codes or ordinances require an air gap?
- Is waste tee less than 18" above floor?

**If the answer to either question is YES, Method 1 MUST be used.**

- If the answers are NO, either method may be used.

## CABINET PREPARATION

- Drill a 1-1/2" dia. hole in the cabinet wall within the shaded areas shown in Figure A for the drain hose connection. The hole should be smooth with no sharp edges.

**IMPORTANT:** When connecting drain line to disposer, check to be sure that drain plug has been removed. **DISHWASHER WILL NOT DRAIN IF PLUG IS LEFT IN PLACE.**

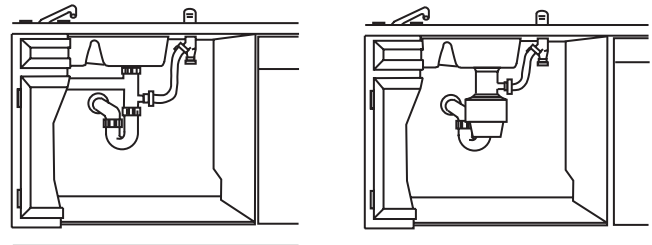
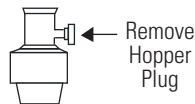


Figure C

### Method 1 – Air Gap with Waste Tee or Disposer

An air gap must be used when required by local codes and ordinances. The air gap must be installed according to manufacturers instructions.

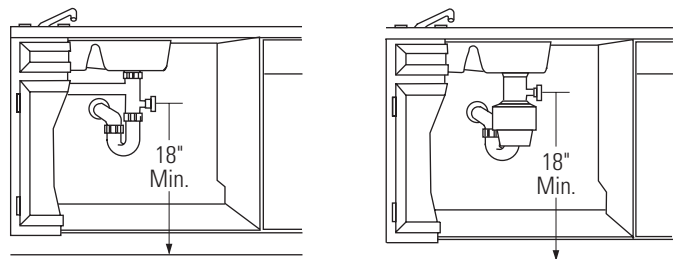


Figure D

### Method 2 – Built-in "High Drain Loop" with Waste Tee or Disposer

# Installation Preparation

## PREPARE ELECTRICAL WIRING

### ⚠ WARNING



**FOR PERSONAL SAFETY:** Remove house fuse or open circuit breaker before beginning installation. Do not use an extension cord or adapter plug with this appliance.

### Electrical Requirements

- This appliance must be supplied with 120V, 60 Hz., and connected to an individual properly grounded branch circuit, protected by a 15 or 20 ampere circuit breaker or time delay fuse.
- Wiring must be 2 wire with ground and rated for 75°C (176°F).
- If the electrical supply does not meet the above requirements, call a licensed electrician before proceeding.

### Grounding Instructions—Cable Direct

This appliance must be connected to a grounded metal, permanent wiring system, or an equipment grounding conductor must be run with the circuit conductors and be connected to the equipment grounding terminal or lead on the appliance.

### Grounding Instructions—Power Cord Models

This appliance must be grounded. In the event of a malfunction or breakdown, grounding will reduce the risk of electric shock by providing a path of least resistance for electric current. This appliance is equipped with a cord having an equipment grounding conductor and a grounding plug. The plug must be plugged into an appropriate outlet that is installed and grounded in accordance with all local codes and ordinances.

### ⚠ WARNING



The improper connection of the equipment grounding conductor can result in a risk of electric shock. Check with a qualified electrician or service representative if you are in doubt that the appliance is properly grounded. For models equipped

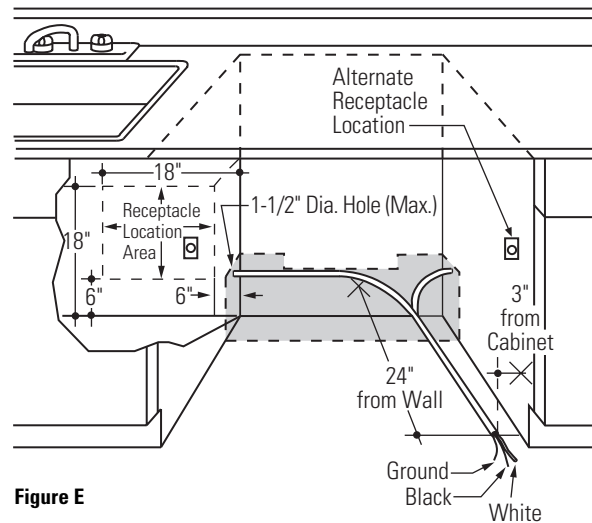


Figure E

with power cord: Do not modify the plug provided with the appliance; if it will not fit the outlet, have a proper outlet installed by a qualified technician.

### Cabinet Preparation & Wire Routing

- The wiring may enter the opening from either side, rear or the floor within the shaded area.
- Cut a 1-1/2" max. dia. hole to admit the electrical cable. Cable direct connections may pass through the same hole as the drain hose and hot water line, if convenient. If cabinet wall is metal, the hole edge must be covered with a bushing. **NOTE:** Power cords with plug must pass through a separate hole.

### Electrical Connection to Dishwasher

Electrical connection is on the right front of dishwasher.

- For cable direct connections the cable must be routed as shown in Figure E. Cable must extend a minimum of 24" from the rear wall.
- For power cord connections, install a 3-prong grounding type receptacle in the sink cabinet rear wall, 6" min. or 18" max. from the opening, 6" to 18" above the floor.

# Installation Instructions

## PREPARE HOT WATER LINE

- The line may enter from either side, rear or floor within the shaded area shown in Figure F.
- The line may pass through the same hole as the electrical cable and drain hose. Or, cut an additional 1-1/2" dia. hole to accommodate the water line. If power cord with plug is used, water line must not pass through power cord hole.

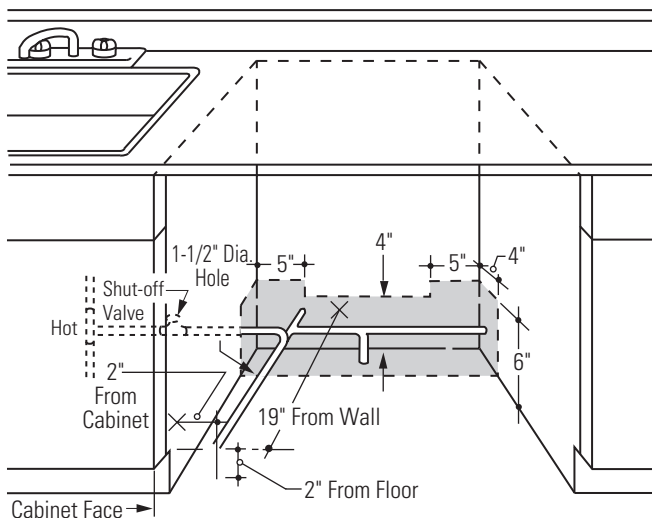


Figure F

## Water Line Connection

- Turn off the water supply.
- Install a hand shut-off valve in an accessible location, such as under the sink. (Optional, but strongly recommended and may be required by local codes.)
- Water connection is on the left side of the dishwasher. Install the hot water inlet line, using no less than 3/8" O.D. copper tubing. Route the line as shown in Figure F and extend forward at least 19" from rear wall.
- Adjust water heater for 120°F to 150°F temperature.
- Flush water line to clean out debris.
- The hot water supply line pressure must be 20-120 PSI.

## CAUTION

Do not remove wood base until you are ready to install the dishwasher. The dishwasher will tip over when the door is opened.

## Before You Begin

Locate and set aside the 2 Phillips head countertop mounting screws wrapped with yellow tape and stuck to the top or side of the dishwasher.

## STEP 1 CHECK DOOR BALANCE

With dishwasher on wood skid, check the door balance by opening and closing the door.

- If door drops open when released, increase spring tension. If door closes when released, decrease tension.

**Note:** Increase or decrease tension as shown. Adjust both springs to the same tension setting to correct balance.

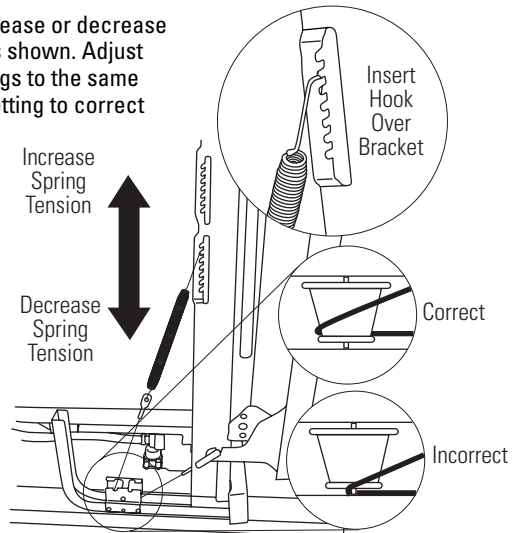


Figure G

**TIP:** If door spring adjustment is necessary, check door opening and closing. If door does not open easily or falls too quickly, check spring cable routing. The cable is held in place by "shoulders" on the pulley. Check to be sure cable has not slipped over the pulley shoulders.

## STEP 2 REMOVE WOOD BASE, INSTALL LEVELING LEGS

**IMPORTANT** – Do not kick off wood base!

**Damage will occur.**

- Move the dishwasher close to the installation location and lay it on its back.
- Remove the four leveling legs on the underside of the wood base with an adjustable wrench or 15/16" socket.
- Discard base.

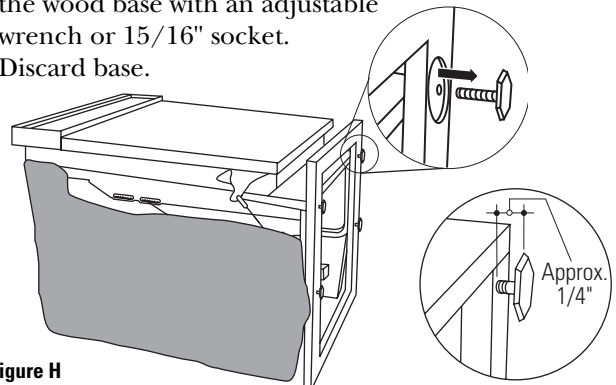


Figure H

- Screw leveling legs back into the dishwasher frame, approximately 1/4" from frame as shown.



# Installation Instructions

## STEP 3 REMOVE TOEKICK

- Remove the two toekick screws.

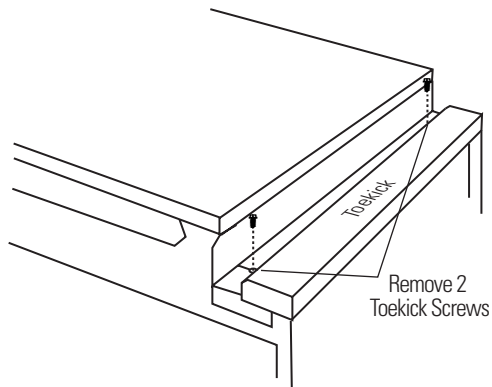


Figure I

## STEP 4 INSTALL POWER CORD

**Skip this step if dishwasher will be direct wired or has a factory installed power cord.**

The power cord and connections must comply with the National Electrical Code, Section 422 and/or local codes and ordinances.

- Maximum power cord length is 6 feet.

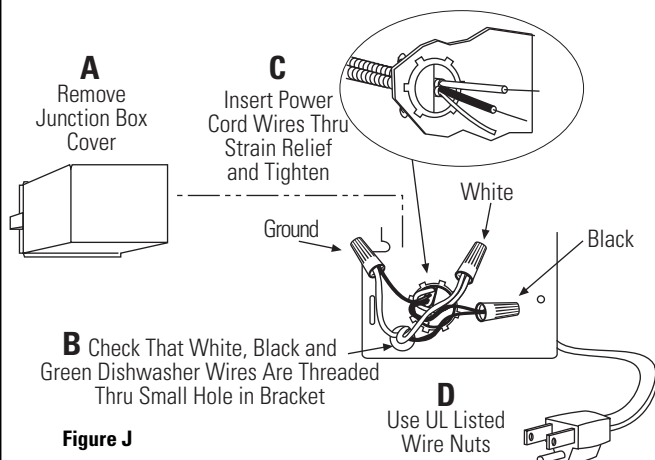


Figure J

- Connect incoming power cord white (or ribbed) to dishwasher white, black (or smooth) to black and ground to dishwasher green wire. Use UL listed wire nuts of appropriate size.
- Replace junction box cover. Be sure wires are not pinched under the cover.

## STEP 5 INSTALL 90° ELBOW

- Wrap 90° elbow with thread seal tape.
- Install a 90° elbow onto the water valve.

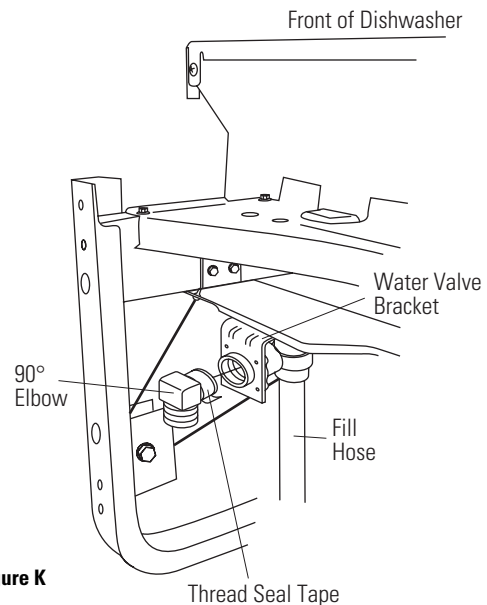


Figure K

- Do not over tighten 90° elbow, water valve bracket could bend or water valve fitting could break.
- Position the end of the elbow to face the rear of the dishwasher.

## STEP 6 POSITION WATER LINE AND HOUSE WIRING

- Position water supply line and house wiring on the floor of the opening to avoid interference with base of dishwasher and components under dishwasher.

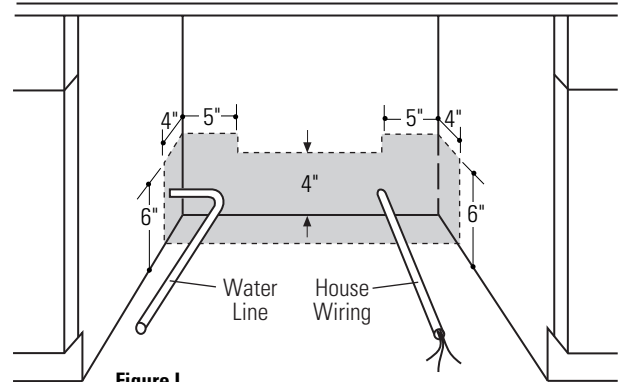


Figure L



# Installation Instructions

## STEP 7 INSERT DRAIN HOSE THROUGH CABINET

- Upright the dishwasher and position in front of the opening. Insert drain hose into cabinet wall hole. If a power cord is used, guide the end through a separate hole.

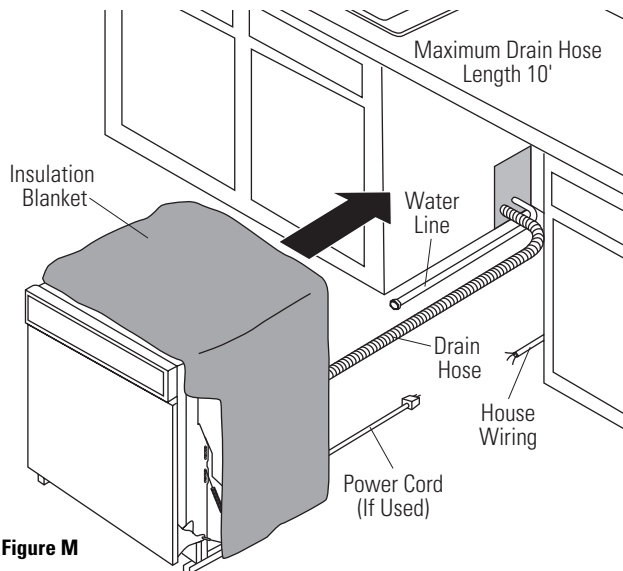


Figure M

**TIP:** Position water line and house wiring on the floor to avoid interference with base of dishwasher.

## STEP 8 SLIDE DISHWASHER PARTIALLY INTO CABINET

**DO NOT PUSH AGAINST FRONT PANEL WITH KNEES. DAMAGE WILL OCCUR.**

- Slide dishwasher into the opening a few inches at a time.

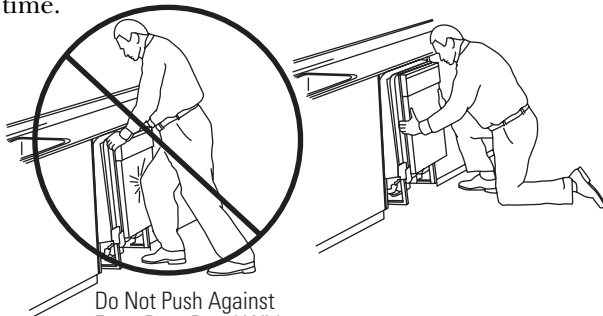


Figure N

- As you proceed, pull the drain hose through the opening under the sink. Stop pushing when the dishwasher is a few inches forward of adjacent cabinetry.
- Make sure drain hose is not kinked under the dishwasher and there is no interference with the water line and wiring or any other component.

## STEP 9 INSTALL TRIM PIECES

**Skip this step if trim is not supplied with the dishwasher.**

- Locate trim strips inside dishwasher.
- Press trim onto the tub flange on each side. Start with the top edge, pressing on as you move towards the bottom.
- Press the two top trim pieces on each side of the latch.
- Open and close the door to check that trim does not bind and does not interfere with door latch.

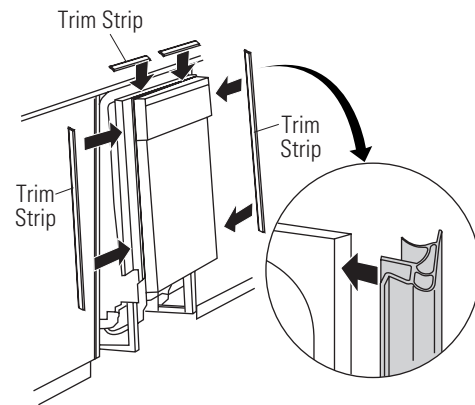


Figure O

## STEP 10 PUSH DISHWASHER INTO FINAL POSITION

- Check to be sure that wires are secure under the dishwasher and not pinched or in contact with door springs or other dishwasher components.

**Note:** If stone countertops are used, see Step 12 before pushing the dishwasher into the opening.

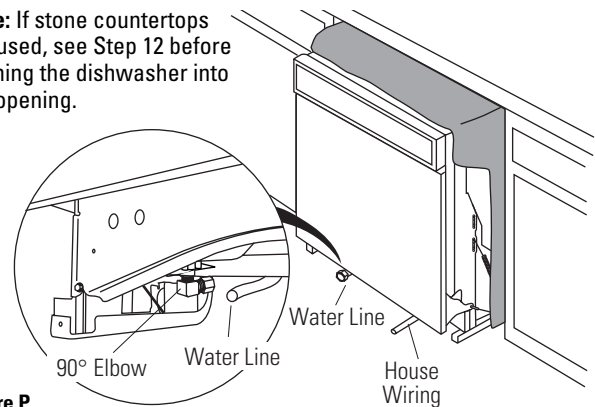


Figure P

**TIP:** Check tub insulation blanket, if equipped. It should be positioned so it is not "bunched up" or interfering with door springs. Check by opening and closing door.

- Push dishwasher into the cabinet. The front corners of the dishwasher door should be flush with cabinet doors. Be careful not to dent front panel with knees or damage countertop or cabinets with dishwasher parts.

# Installation Instructions

## STEP 11 LEVEL DISHWASHER

**IMPORTANT** – Dishwasher must be level for proper dish rack operation and wash performance.

- Place level on door and rack track inside the tub as shown to check that the dishwasher is level.

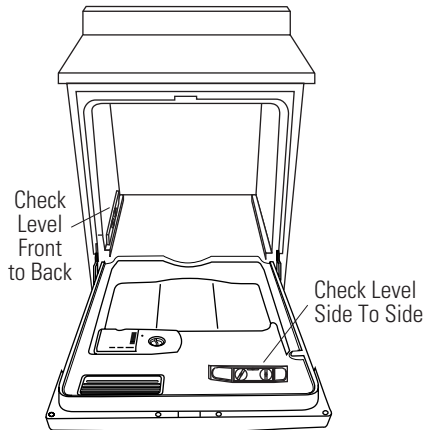


Figure Q

- Level the dishwasher by adjusting the four leveling legs individually.
- If adjustment to the right rear leveling leg is required, loosen junction box bracket screw (through the access hole) and rotate bracket clockwise.

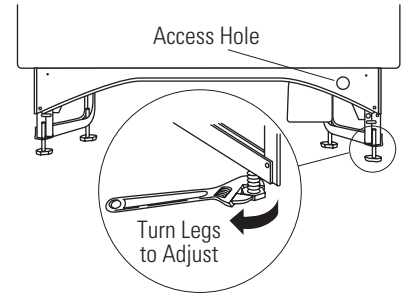


Figure R

**TIP:** Pull lower rack out, about halfway. Check to be sure the rack does not roll forward or back into dishwasher. If the rack rolls either direction, the dishwasher must be leveled again.

- If door hits tub, the dishwasher is not installed correctly. Adjust leveling legs to align door to tub.

## STEP 12 POSITION DISHWASHER, SECURE TO CABINET

The dishwasher must be secured to the countertop or the cabinet sides. When countertops are made of wood, use Method 1. Some models are supplied with side mounting brackets for use when countertops are granite or other materials that will not accept screws. Use Method 2 to secure dishwasher at the sides.

### Method 1

#### Secure dishwasher to wood countertop

- Position dishwasher so that the door lines up with the front face of adjacent cabinet.

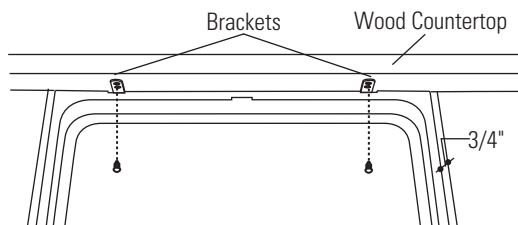


Figure S

**IMPORTANT:** Check to be sure the dishwasher is centered in the opening and there is no interference with adjacent cabinets when opening or closing the door.

- Fasten the dishwasher to the underside of the countertop with the 2 Phillips screws provided.

### Method 2

#### For Models supplied with side mounting brackets

- Pull dishwasher out of the opening just enough to access the tub frame.

- Fasten a side mounting bracket to each side of the tub with the #8 pan head screws provided.

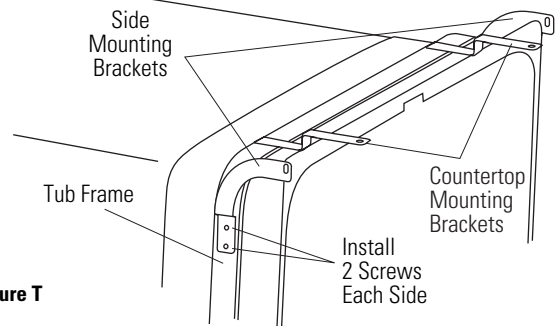


Figure T

- Position dishwasher so that the door lines up with the front face of adjacent cabinet.

**IMPORTANT:** Check to be sure the dishwasher is centered in the opening and there is no interference with adjacent cabinets when opening or closing the door.

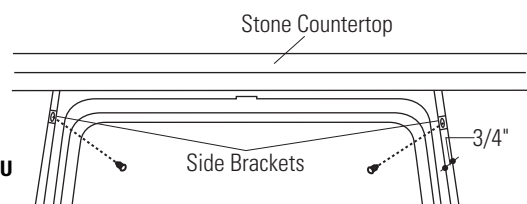


Figure U

- Fasten the brackets to cabinet sides using the 2 Phillips head countertop screws.

**IMPORTANT:** Drive screws straight and flush. Protruding screw heads will scratch the top or sides of the control panel and can interfere with door closing.

# Installation Instructions

## STEP 13 CONNECT WATER SUPPLY

Connect water supply line to 90° elbow.

- Slide compression nut, then ferrule over end of water line.
- Insert water line into 90° elbow.
- Slide ferrule against elbow and secure with compression nut.

**IMPORTANT:** Check to be sure that door spring does not rub or contact the fill hose or water supply line. Test by opening and closing the door. Re-route the lines if necessary.

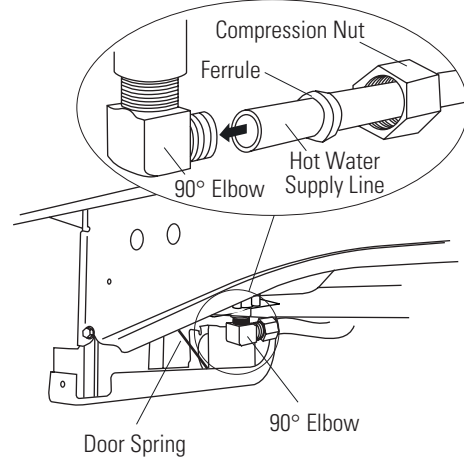


Figure V

## STEP 14 CONNECT DRAIN LINE

**FOLLOW ALL LOCAL CODES AND ORDINANCES.**

The drain hose molded end will fit 5/8", 3/4" or 1" diameter connections on the air gap, waste tee or disposer. Cut on the marked line as required for your installation.

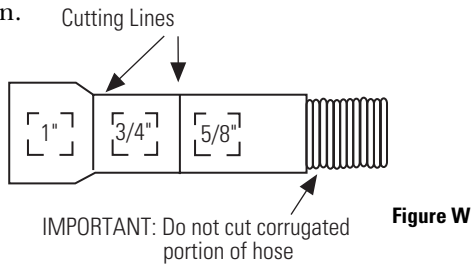


Figure W

- If a longer drain hose is required, add up to 42" of length for a total of 10 ft. length to the factory installed hose. Use 5/8" or 7/8" inside diameter hose and a coupler to connect the two hose ends. Secure the connection with hose clamps.

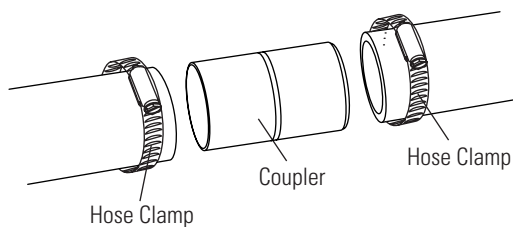


Figure X

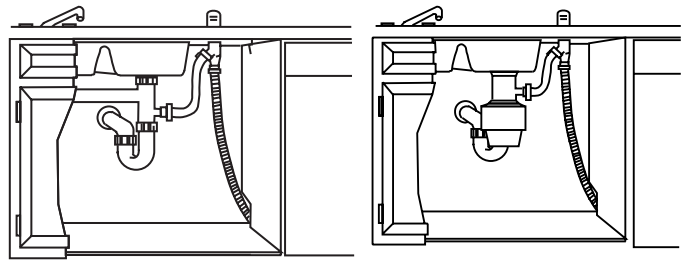
- Secure the drain hose to the air gap, waste tee or disposer with clamps.

**Note:** TOTAL DRAIN HOSE LENGTH MUST NOT EXCEED 10 FEET FOR PROPER DRAIN OPERATION.

## DRAIN LINE INSTALLATION

- Connect drain line to air gap, waste tee or disposer using either previously determined method.

### Method 1 – Air gap with waste tee or disposer

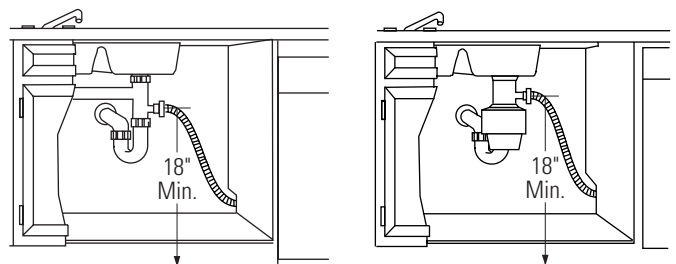


Waste Tee Installation

Disposer Installation

Figure Y

### Method 2 – Built-in "High drain loop" with waste tee or disposer

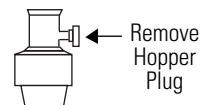


Waste Tee Installation

Disposer Installation

Figure Z

**IMPORTANT:** When connecting drain line to disposer, check to be sure that drain plug has been removed. DISHWASHER WILL NOT DRAIN IF PLUG IS LEFT IN PLACE.



# Installation Instructions

## STEP 15 CONNECT POWER SUPPLY

Skip this step if equipped with power cord

Verify that power is turned off at the source.

(If a power cord with plug is used, proceed to Step 16.)

- Remove junction box cover.
- Secure house wiring to the back of the junction box with a strain relief.
- Locate the three dishwasher wires, (white, black and green) with stripped ends. Insert dishwasher wires through the small hole in the junction box. Use wire nuts to connect incoming ground to green, white to white and black to black.
- Replace junction box cover. Check to be sure that wires are not pinched under the cover.

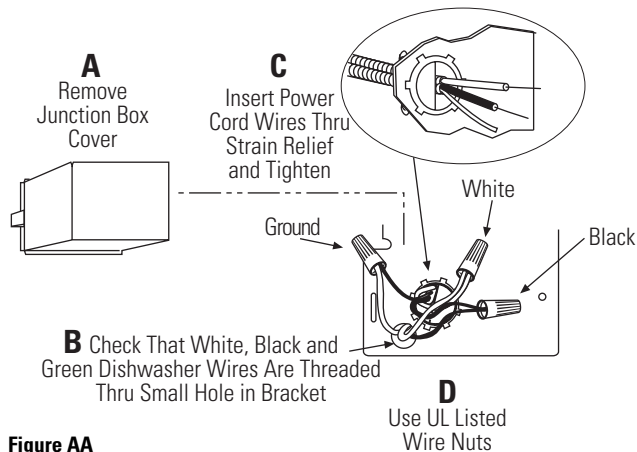


Figure AA

**WARNING** If house wiring is not 2-wire with ground, a ground must be provided by the installer. When house wiring is aluminum, be sure to use UL Listed anti-oxidant compound and aluminum-to-copper connectors

## STEP 16 PRE-TEST CHECK LIST

Review this list after installing your dishwasher to avoid charges for a service call that is not covered by your warranty.

- Check to be sure power is OFF.
- Open door and remove all foam and paper packaging.
- Locate the Owner's Manual in the literature package.
- Read the Owner's Manual for operating instructions.
- Check door opening and closing. If door does not open and close freely or tends to fall, check spring cable routing. See Step 1.
- Check to be sure that wiring is secure under the dishwasher, not pinched or in contact with door springs or other components. See Step 10.
- Check door alignment with tub. If door hits tub, level dishwasher. See Step 11.
- Pull lower rack out, about half way. Check to be sure it does not roll back or forward on the door. If the rack moves, adjust leveling legs. See Step 11.
- Check door alignment with cabinet. If door hits cabinet, reposition dishwasher. See Step 12.
- Check that door spring does not contact water line, fill hose, wiring or other components. See Step 13.
- Verify water supply and drain lines are not kinked or in contact with other components. Contact with motor or dishwasher frame could cause noise.
- Turn on the sink hot water faucet and verify water temperature. Incoming water temperature must be between 120°F and 150°F. 120°F min. temperature is required for best wash performance. See "Prepare Hot Water Line," page 4.
- Add 2 quarts of water to the bottom of the dishwasher to lubricate the pump seal.
- Turn on water supply. Check for leaks. Tighten connections if needed.
- Remove protective film if present from the control panel and door.

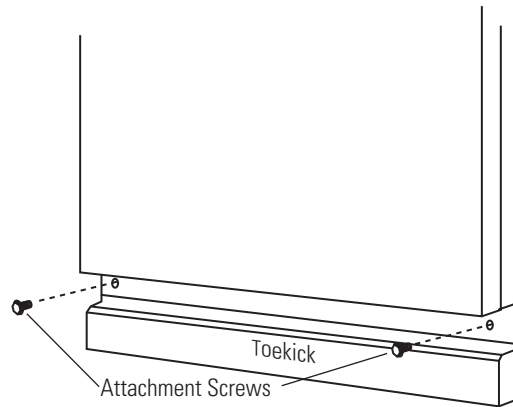
# Installation Instructions

## STEP 17 DISHWASHER WET TEST

- Turn on power supply (or plug power cord into outlet, if equipped).
- Latch door.
- Push “Normal Wash” button.
- Push start/reset pad once.
- Check to be sure that water enters the dishwasher. If water does not enter the dishwasher, check to be sure that water and power is turned on.
- Check for leaks under the dishwasher. If leak is found, turn power supply off, then tighten connections. Restore power after leak is corrected.
- Check for leaks around the door. A leak around the door could be caused by door rubbing or hitting against adjacent cabinetry. Reposition the dishwasher if necessary. See Step 12.
- The dishwasher will drain about 5 minutes after the first fill. Check drain lines. If leaks are found, turn power off, correct as necessary. See Step 14.
- Open dishwasher door and make sure most of the water has drained. If not, check that disposer plug has been removed and/or air gap is not plugged. See Step 14.
- Let dishwasher run through another fill and drain cycle. Check again for leaks and correct as required.
- At the end of the second drain, push the start/reset pad once. Wait for dishwasher to pump out and then unlatch the door.

## STEP 18 REPLACE TOEKICK

- Place toekick against the legs of the dishwasher.



FigureBB

- Align the toekick with the bottom edge and make sure it is against the floor.
- Insert and tighten the two toekick attachment screws. The toekick should stay in contact with the floor.

**TIP:** Make sure toekick is against floor to minimize noise.

## STEP 19 LITERATURE

- Be sure to leave complete literature package and installation instructions with the consumer.

SPECIFICATIONS SUBJECT TO CHANGE WITHOUT NOTICE

|                       |
|-----------------------|
| Pub. No. 31-30530     |
| Dwg. No. 206C1559P070 |
| (N.D. 212) 6/01       |

Based on standard U.S. Government tests

# ENERGYGUIDE

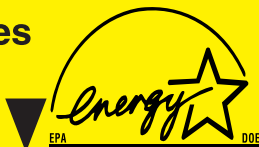
Dishwasher  
Capacity: Standard



Models EDW4XXXJ, GSD6XXXG,  
GSD6XXXJ, GSD6XXXK, PDW7XXXG,  
PDW7XXXJ, SSD4XXXJ, GHDA96XK,  
GHDA98XK, GHDA96XL

Compare the Energy Use of this Dishwasher  
with Others Before You Buy.

**This Model Uses**  
**362 kWh/year**



**ENERGY STAR**  
A symbol of  
energy efficiency

**Energy use (kWh/year) range of all similar models**

**Uses Least  
Energy**  
**194**

**Uses Most  
Energy**  
**531**

kWh/year (kilowatt-hours per year) is a measure of energy (electricity) use. Your utility company uses it to compute your bill. Only standard size dishwashers are used in this scale.

Dishwashers using more energy cost more to operate.  
This model's estimated yearly operating cost is:

**\$31**

**\$21**

when used with an electric water heater      when used with a natural gas water heater

Based on four washloads a week using the normal cycle and a 2004 U.S. Government national average cost of 8.60 cents per Kwh for electricity and 91.0 cents per therm for natural gas. Your actual operating cost will vary depending on your local utility rates and your use of the product.

Important: Removal of this label before consumer purchase violates the Federal Trade Commission's Appliance Labeling Rule (16 C.F.R. Part 305).

Download from [Www.Somanuals.com](http://Www.Somanuals.com). All Manuals Search And Download. 165D7644P028

## Free Manuals Download Website

<http://myh66.com>

<http://usermanuals.us>

<http://www.somanuals.com>

<http://www.4manuals.cc>

<http://www.manual-lib.com>

<http://www.404manual.com>

<http://www.luxmanual.com>

<http://aubethermostatmanual.com>

Golf course search by state

<http://golfingnear.com>

Email search by domain

<http://emailbydomain.com>

Auto manuals search

<http://auto.somanuals.com>

TV manuals search

<http://tv.somanuals.com>