

GDWT200/260R

GE® Built-In Dishwasher with Hidden Controls

Dimensions and Installation Information (in inches)

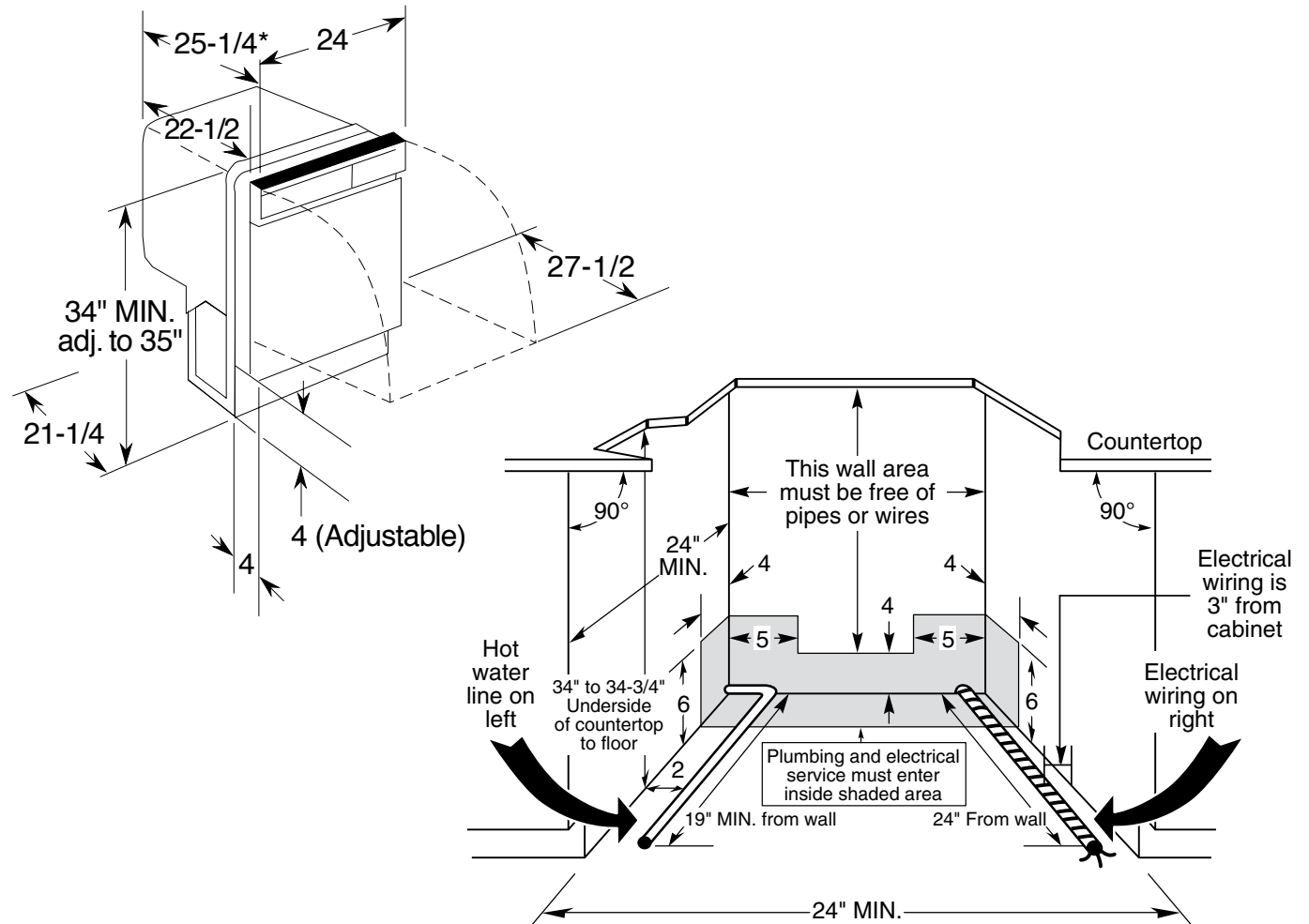
Electrical Rating

Voltage AC.....	120
Hertz.....	60
Total connected load amperage.....	9.1
Calrod® heater watts max.....	875

For use on adequately wired 120-volt, 15-amp circuit having 2-wire service with a separate ground wire. This appliance must be grounded for safe operation.

Installation Information: Before installing, consult installation instructions packed with product for current dimensional data.

†† Add 1/2" for deepest part of contour door. Allow an additional 2" for the handle on PDWT500/PDWT400/PDWT200 Series models.



For answers to your Monogram®, GE Profile™ or GE® appliance questions, visit our website at ge.com or call GE Answer Center® service, 800.626.2000.



Listed by Underwriters Laboratories



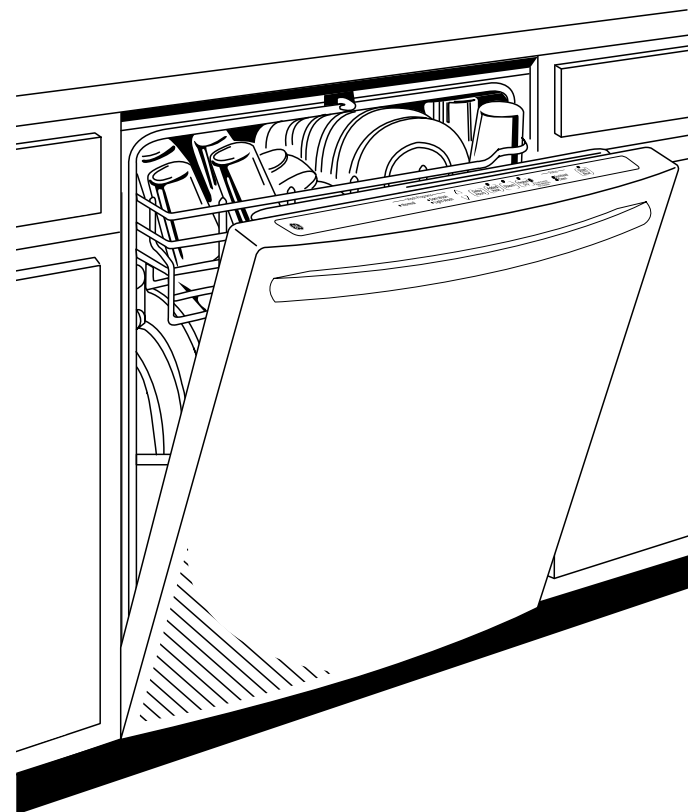
As an ENERGY STAR® partner, GE has determined that this product meets the ENERGY STAR guidelines for energy efficiency.

GDWT200/260R

GE® Built-In Dishwasher with Hidden Controls

Features and Benefits

- PureClean wash system with 5-stage filtration - Multiple filtration levels ensure clean dishes
- ENERGY STAR® Qualified - Meets or exceeds federal guidelines for energy efficiency for year-round energy and money savings
- CleanSensor™ - A tiny laser measures soil levels and water temperature to adjust to the ideal cycle time
- Steam Pre-Wash option - Steam helps to loosen tough soils before any cycle
- Electronic controls with 3 cycles/3 options - Modern controls make it easy to program the dishwasher
- QuietPower™52 sound package - 52 dBA - An enhanced sound-deadening system muffles noises and keeps the kitchen quiet
- SaniWash cycle - Special cycle reduces 99.999% of harmful germs and bacteria
- Model GDWT260RSS - Stainless steel (shown)
- Model GDWT200RWW - White on white
- Model GDWT200RBB - Black on black



imagination at work

Free Manuals Download Website

<http://myh66.com>

<http://usermanuals.us>

<http://www.somanuals.com>

<http://www.4manuals.cc>

<http://www.manual-lib.com>

<http://www.404manual.com>

<http://www.luxmanual.com>

<http://aubethermostatmanual.com>

Golf course search by state

<http://golfingnear.com>

Email search by domain

<http://emailbydomain.com>

Auto manuals search

<http://auto.somanuals.com>

TV manuals search

<http://tv.somanuals.com>