

GDWT100/160R

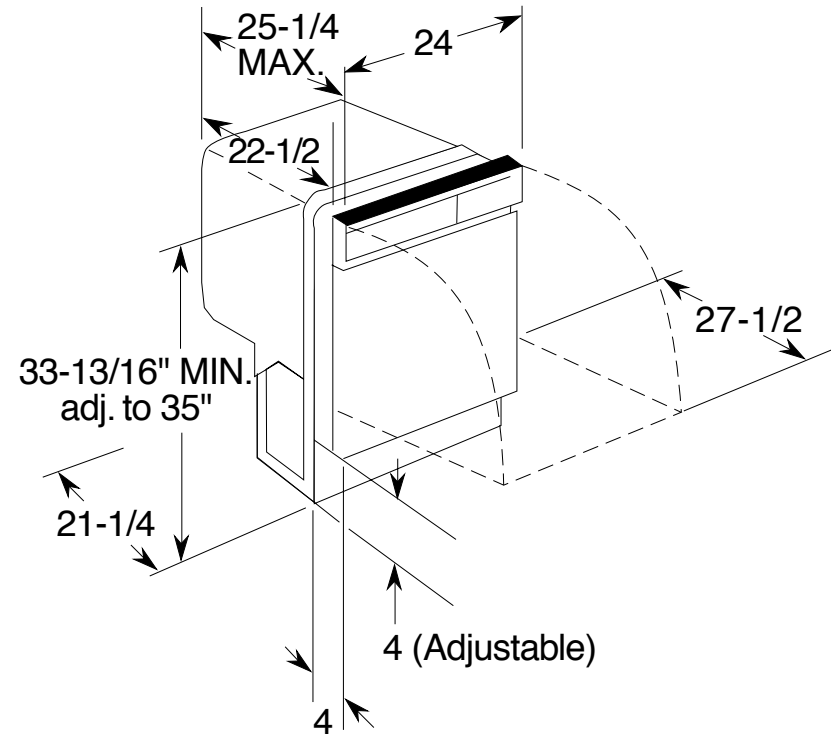
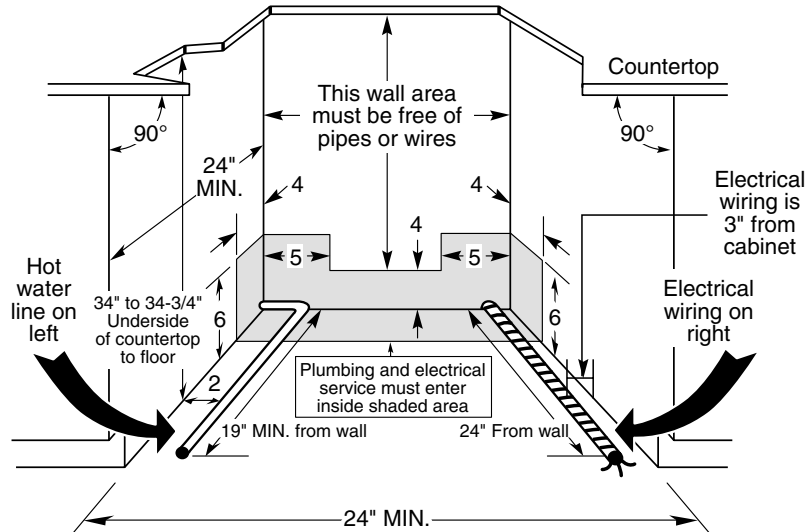
GE® Built-In Dishwasher with Hidden Controls

Dimensions and Installation Information (in inches)

Electrical Rating

Voltage AC.....	120
Hertz.....	60
Total connected load amperage.....	10
Calrod® heater watts max.....	875

For use on adequately wired 120-volt, 15-amp circuit having 2-wire service with a separate ground wire. This appliance must be grounded for safe operation.



For answers to your Monogram®, GE Profile™ or GE® appliance questions, visit our website at ge.com or call GE Answer Center® service, 800.626.2000.



Listed by Underwriters Laboratories



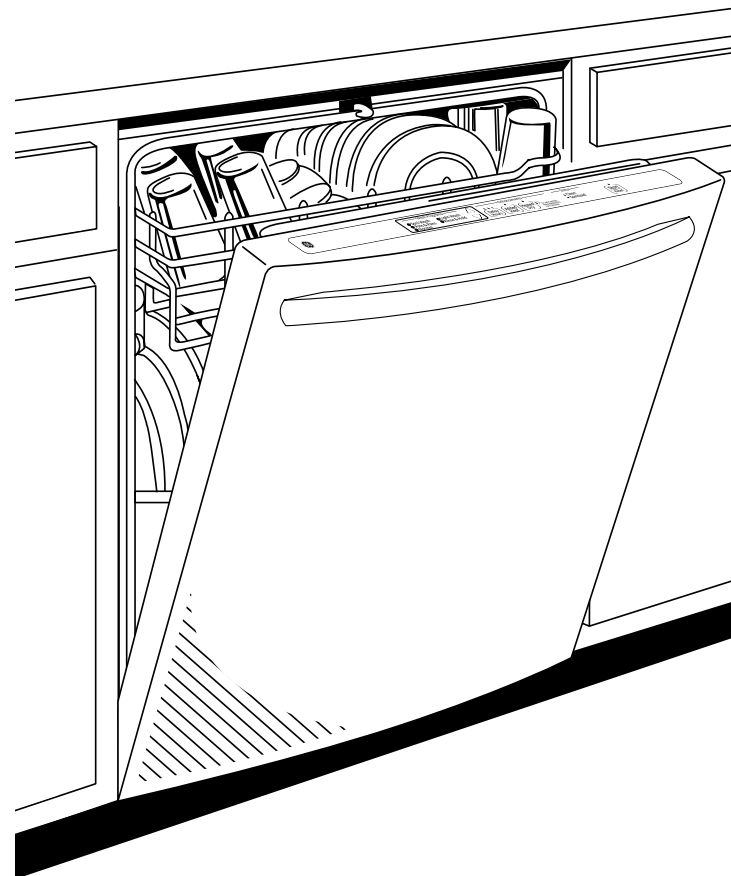
As an ENERGY STAR® partner, GE has determined that this product meets the ENERGY STAR guidelines for energy efficiency.

GDWT100/160R

GE® Built-In Dishwasher with Hidden Controls

Features and Benefits

- Bright Annealed Stainless Steel Interior - Attractive interior provides long-lasting durability
- 6-level BrilliantClean™ Towerless Wash System - Multiple wash levels help to remove tough food soils from dishes
- CleanSensor™ - Monitors and adjusts cycles to ensure dishes get clean
- SaniWash Cycle - Sanitizes tableware by reducing 99.999% of bacteria found on dishes
- 2/4/8-Hour Delay Start - Wash dishes at your convenience
- Nylon Racks - Durable racks secure dishes
- Model GDWT160RSS - Stainless steel (shown)
- Model GDWT100RWW - White on white
- Model GDWT100RBB - Black on black



As an ENERGY STAR® partner, GE has determined that this product meets the ENERGY STAR guidelines for energy efficiency.

Free Manuals Download Website

<http://myh66.com>

<http://usermanuals.us>

<http://www.somanuals.com>

<http://www.4manuals.cc>

<http://www.manual-lib.com>

<http://www.404manual.com>

<http://www.luxmanual.com>

<http://aubethermostatmanual.com>

Golf course search by state

<http://golfingnear.com>

Email search by domain

<http://emailbydomain.com>

Auto manuals search

<http://auto.somanuals.com>

TV manuals search

<http://tv.somanuals.com>