

# Installation Instructions

## Portable Dishwasher

If you have questions, call 800.GE.CARES (800.432.2737) or visit our website at: [www.ge.com](http://www.ge.com)



### BEFORE YOU BEGIN

Read these instructions completely and carefully.

**IMPORTANT** – Observe all governing codes and ordinances.

- **Note to Installer** – Be sure to leave these instructions for the consumer's and local inspector's use.
- **Note to Consumer** – Keep these instructions with your Owner's Manual for future reference.
- **Skill Level** – Installation of this dishwasher requires basic mechanical, electrical and plumbing skills. **Proper installation is the responsibility of the installer. Product failure due to improper installation is not covered under the GE Appliance Warranty. See warranty information.**

**READ CAREFULLY.  
KEEP THESE INSTRUCTIONS.**

GLC4000 Series  
GSC3500 Series

**IMPORTANT** – If you received a damaged dishwasher, you should immediately contact your dealer or builder.

### FOR YOUR SAFETY

Read and observe all **CAUTIONS** and **WARNINGS** shown throughout these instructions. While performing installations described in this booklet, gloves and either safety glasses or goggles should be worn.

### PARTS SUPPLIED:

Faucet adapter kit included in Installation Package.



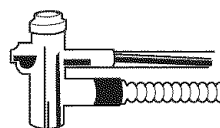
Faucet Adapter



Thin washer

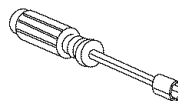


Thick Washer

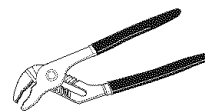


unicouple – Attached to dishwasher and stored in pocket on back of dishwasher.

### TOOLS YOU WILL NEED:



3/8" Nut Driver



Pliers



imagination at work

# Installation Preparation

## PREPARE ELECTRICAL WIRING

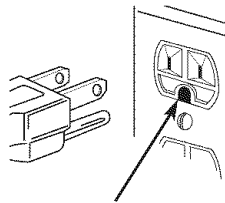
### ⚠ WARNING



FOR PERSONAL SAFETY: Do not use an extension cord or adaptor plug with this appliance.

### Electrical Requirements

- This appliance must be supplied with 120V, 60 Hz., and connected to an individual properly grounded branch circuit, protected by a 15 or 20 ampere circuit breaker or time delay fuse.
  - If the electrical supply does not meet the above requirements, call a licensed electrician before proceeding.
- Your dishwasher circuit should not be used for any other appliance while the dishwasher is in operation as the dishwasher requires a full capacity of the circuit.
- If the wall receptacle you plug the dishwasher's power cord into is controlled by a switch, turn on the switch.



Insure proper ground exists before use

### ⚠ WARNING



Do not, under any circumstances, cut or remove the third grounding prong from the power cord.

### Grounding Instructions—Power Cord Models

This appliance must be grounded. In the event of a malfunction or breakdown, grounding will reduce the risk of electric shock by providing a path of least resistance for electric current. This appliance is equipped with a cord having an equipment grounding conductor and a grounding plug. The plug must be plugged into an appropriate outlet that is installed and grounded in accordance with all local codes and ordinances.

### ⚠ WARNING



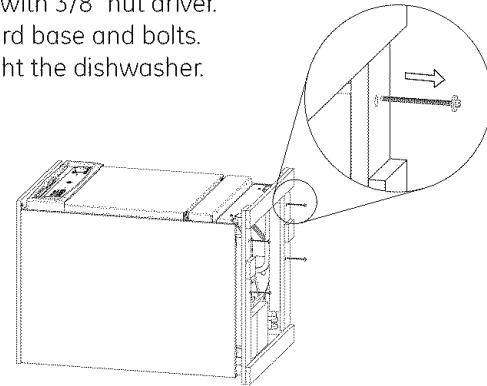
The improper connection of the equipment grounding conductor can result in a risk of electric shock. Check with a qualified electrician or service representative if you are in doubt that the appliance is properly grounded. Do not modify the plug provided with the appliance, if it will not fit the outlet, have a proper outlet installed by a qualified technician.

# Installation Instructions

## STEP 1 REMOVE WOOD BASE

### IMPORTANT – Do not kick off wood base! Damage will occur.

- Move the dishwasher close to the installation location and lay it on its back.
- Remove the four skid bolts on the underside of the wood base with 3/8" nut driver.
- Discard base and bolts.
- Upright the dishwasher.



## STEP 2 INSTALL FAUCET ADAPTER

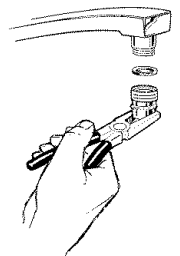
The special faucet adapter supplied with your dishwasher must be attached to the sink faucet before you can use your dishwasher.

The faucet adapter is designed to fit standard spouts having internal or external threads. *You will find the adapter and two washers in the faucet adapter packet in your dishwasher.*

- To install faucet adapter, first remove the old aerator or trim ring on your faucet spout.

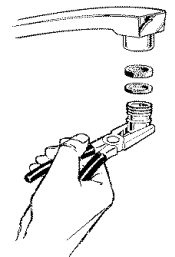
### External Threads

- If faucet has external threads: Insert the thinner of the two washers into the faucet adapter and attach it to the faucet spout.
- Tighten with pliers.



### Internal Threads

- If faucet has internal threads: Insert both of the washers into the faucet adapter and attach it to the faucet spout.
- Tighten with pliers.



### Non-Standard Threads

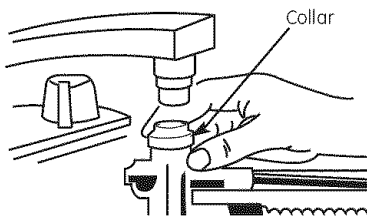
- If the faucet adapter threads do not match your faucet spout, your local hardware or plumbing supply store normally has additional fittings to adapt your faucet spout to the special faucet adapter.

**CAUTION:** A sink spray attachment hose can burst if it is installed on the same faucet as your dishwasher. We suggest that you disconnect the sink spray attachment, if your sink has one, and place a cap over the opening.

# Installation Instructions

## STEP 3 CONNECT THE UNICOUPLE TO THE FAUCET

- Run garbage disposer, if you have one, to clean out the disposer and thus allow water to drain from the sink through the disposer and down the drain.
- Run hot water faucet to purge cold water from the hot water line. The hot water must be between 120°F and 150°F for best wash performance.
- Roll the dishwasher to a position just in front of the sink.
- Pull the uncoupler and its hoses completely out from storage compartment at rear of the dishwasher.
- Attach the uncoupler to the faucet adapter following the three steps below:
  - Depress the locking collar at the top of the uncoupler
  - Place the uncoupler completely over the faucet adapter
  - Release the locking collar. The uncoupler should now be locked onto the faucet adapter.
- Turn on the hot water faucet and check for leaks. If leak is detected, disconnect the uncoupler, and refer to Step 4.



**Note:** The uncoupler's small hose carries water from the faucet to the dishwasher. The large hose carries water from the dishwasher to the sink. Orient the faucet with uncoupler attached so water from the uncoupler will run into the sink drain.

## STEP 4 FAUCET ADAPTER LEAK

**Skip this step if no uncoupler leak was observed**

If a uncoupler leak was observed in Step 3, take whatever actions are necessary to repair the leak. This may be as simple as tightening the faucet adapter. Or, it may require the services of a plumber if water is leaking from the interface between the moveable faucet arm and the fixed part of the faucet fastened to the sink.

## STEP 5 PRETEST CHECK LIST

Review this list after connecting your dishwasher to avoid charges for a service call that is not covered by your warranty.

- Open door and remove all foam and paper packaging.
- Locate the Owner's Manual.
- Read the Owner's Manual to familiarize yourself with the operation of the dishwasher.
- Remove the protective film, if present, from the control panel.
- Add 2 quarts of water to the bottom of the dishwasher to lubricate the pump seal.

## STEP 6 DISHWASHER WET TEST

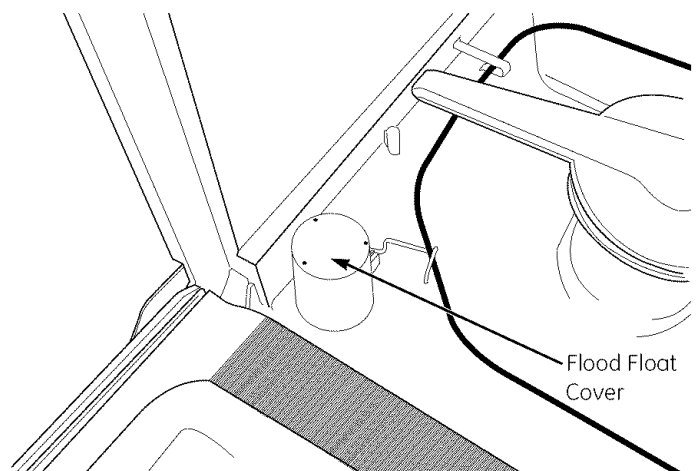
- Plug power cord into outlet.
- Close and latch dishwasher door.
- Start dishwasher:

### Timer Dial Models

- Press Normal pad
- Turn dial just enough to start dishwasher. Dial should point to "Hot Start". Do not turn the dial too far. If you turn it too far you will "by pass" the fill.

### Electronic Models

- Press "Rinse Only"
- Press the start pad one time.
- Check to be sure that water enters the dishwasher. This could take up to 4 minutes on dial models.
- If water does not enter the dishwasher
  - Check to be sure that the water is turned on
  - Lightly tap the flood float cover to dislodge a stuck flood float.
  - On dial models, make sure you did not turn the dial past the first fill. If this happened, unlatch the door and rotate the dial to "Off". Re-latch door and turn the dial one click at a time until the dishwasher starts.
  - On electronic models, make sure the start pad was pressed one time only.



# Installation Instructions

---

## STEP 6 DISHWASHER WET TEST (continued)

- Let dishwasher run through a complete fill – circulate – pump out cycle. This will take approximately 5 minutes.
- Check for leaks.
- If a leak is found, unplug dishwasher, correct as necessary and then plug dishwasher back in.
- Open the dishwasher door and make sure most of the water has drained. If dishwasher did not drain, check drain hose to be sure it is not kinked.
- Let the dishwasher run through another fill and drain cycle. Check again to be sure there are no leaks.
- At the end of the second drain set the control to the Off position.

### Timer Dial Models:

- Unlatch the door and rotate the timer dial to the Off position.

### Electronic Models:

- An electronic dishwasher run in Rinse Only cycle should shut itself off after about 5 minutes of run time. No further action is necessary if the dishwasher has turned itself off. If the test was run in a cycle other than Rinse Only, push the start pad one time and the dishwasher will reset and shut itself off in about 90 seconds.

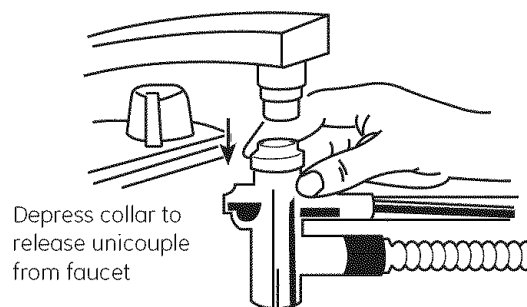
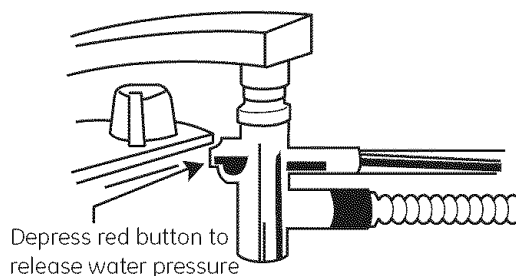
---

## STEP 7 REMOVE POWER FROM DISHWASHER

- Unplug the dishwasher.
- Feed power cord back into its storage location.

## STEP 8 REMOVE UNICOUPLE FROM FAUCET

- Relieve water pressure from the unicumple assembly before disconnecting it from the faucet by depressing the red pressure relief button on the unicumple.
- Depress locking collar and remove unicumple from faucet.
- Drain excess water from unicumple by holding it below sink level and allowing excess water to run from the hoses into a pan or similar container to catch the water.



## IMPORTANT:

Release water pressure from the unicumple prior to disconnecting the unicumple from the faucet. This will make it easier to remove the unicumple and will prevent splashing as a result of water rapidly escaping from the unicumple hose.

---

## STEP 9 STORE DISHWASHER

- Latch dishwasher door closed.
- Roll dishwasher into its storage location.

SPECIFICATIONS SUBJECT TO CHANGE WITHOUT NOTICE

GE Consumer & Industrial  
General Electric Company  
Louisville, Kentucky 40225

ge.com

© 2007 General Electric Company  
Pub. No. 31-30234  
Dwg. No. 206C1559P173  
ND 07E-2236 (4/07)

## Free Manuals Download Website

<http://myh66.com>

<http://usermanuals.us>

<http://www.somanuals.com>

<http://www.4manuals.cc>

<http://www.manual-lib.com>

<http://www.404manual.com>

<http://www.luxmanual.com>

<http://aubethermostatmanual.com>

Golf course search by state

<http://golfingnear.com>

Email search by domain

<http://emailbydomain.com>

Auto manuals search

<http://auto.somanuals.com>

TV manuals search

<http://tv.somanuals.com>