

GLD4404/4464R

GE® Tall Tub Built-In Dishwasher

Dimensions and Installation Information (in inches)

Electrical Rating

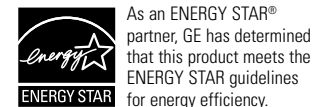
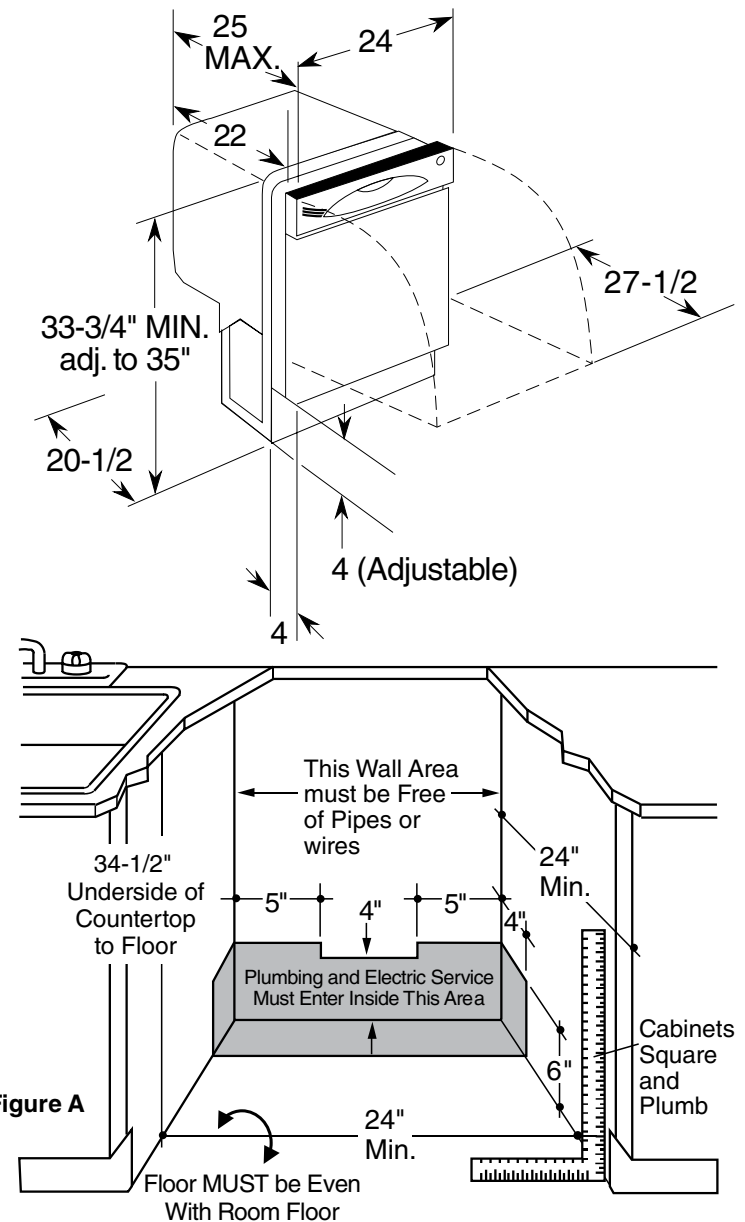
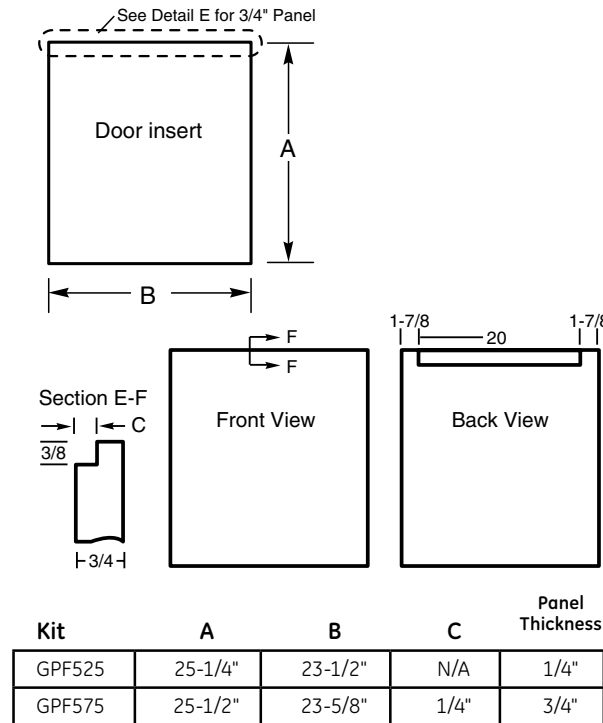
Voltage AC.....	120
Hertz.....	60
Total connected load amperage.....	10
Calrod® heater watts max.....	875

For use on adequately wired 120-volt, 15-amp circuit having 2-wire service with a separate ground wire. This appliance must be grounded for safe operation.

Note: The rough cabinet opening must be at least 24" deep, 24" wide and approximately 34-1/2" high from floor to underside of the countertop. Dishwasher must not be installed more than 10 feet from sink for proper drainage. All plumbing and electrical work must be in accordance with local codes. The power cord and connections must comply with the National Electrical Code Section 422 and/or local codes and ordinances. The cord must be no longer than 6 ft. from the junction box to the receptacle.

Installation Information: Before installing, consult installation instructions packed with product for current dimensional data.

For answers to your Monogram®, GE Profile™ or GE® appliance questions, visit our website at ge.com or call GE Answer Center® service, 800.626.2000.

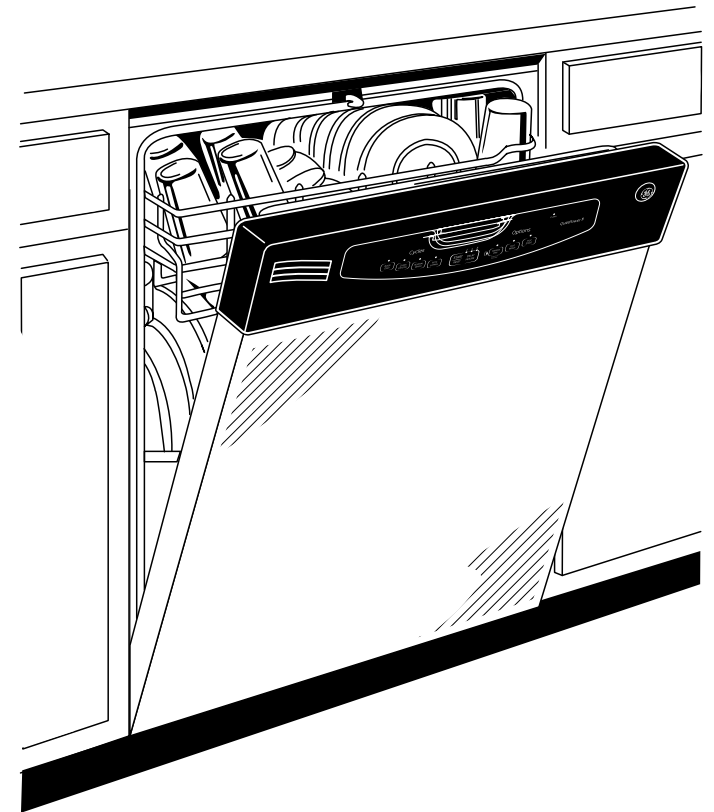


GLD4404/4464R

GE® Tall Tub Built-In Dishwasher

Features and Benefits

- PureClean wash system with 5-stage filtration - Multiple filtration levels ensure that soils are nowhere near clean dishware
- ENERGY STAR® Qualified - Meets or exceeds federal guidelines for energy efficiency for year-round energy and money savings
- SaniWash cycle - Special cycle reduces 99.999% of harmful germs and bacteria
- Platinum silver nylon racks with fold-down tines - Flexible tines make it easy to load the dishwasher
- Dedicated silverware jets - Precisely dedicated spray jets target the silverware for optimal cleaning
- Electronic controls with 3 cycles/4 options - Modern controls make it easy to program the dishwasher
- QuietPower™57 sound package - 57 dBA - Advanced materials reduce the sound level to just 57 dBA
- Model GLD4404RWW - White on white
- Model GLD4404RCC - Bisque on bisque
- Model GLD4404RBB - Black on black
- Model GLD4464RSS - Stainless steel



imagination at work

Free Manuals Download Website

<http://myh66.com>

<http://usermanuals.us>

<http://www.somanuals.com>

<http://www.4manuals.cc>

<http://www.manual-lib.com>

<http://www.404manual.com>

<http://www.luxmanual.com>

<http://aubethermostatmanual.com>

Golf course search by state

<http://golfingnear.com>

Email search by domain

<http://emailbydomain.com>

Auto manuals search

<http://auto.somanuals.com>

TV manuals search

<http://tv.somanuals.com>