

# GLD4406/4456/4466R GE® Tall Tub Built-In Dishwasher

## Dimensions and Installation Information (in inches)

### Electrical Rating

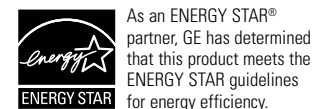
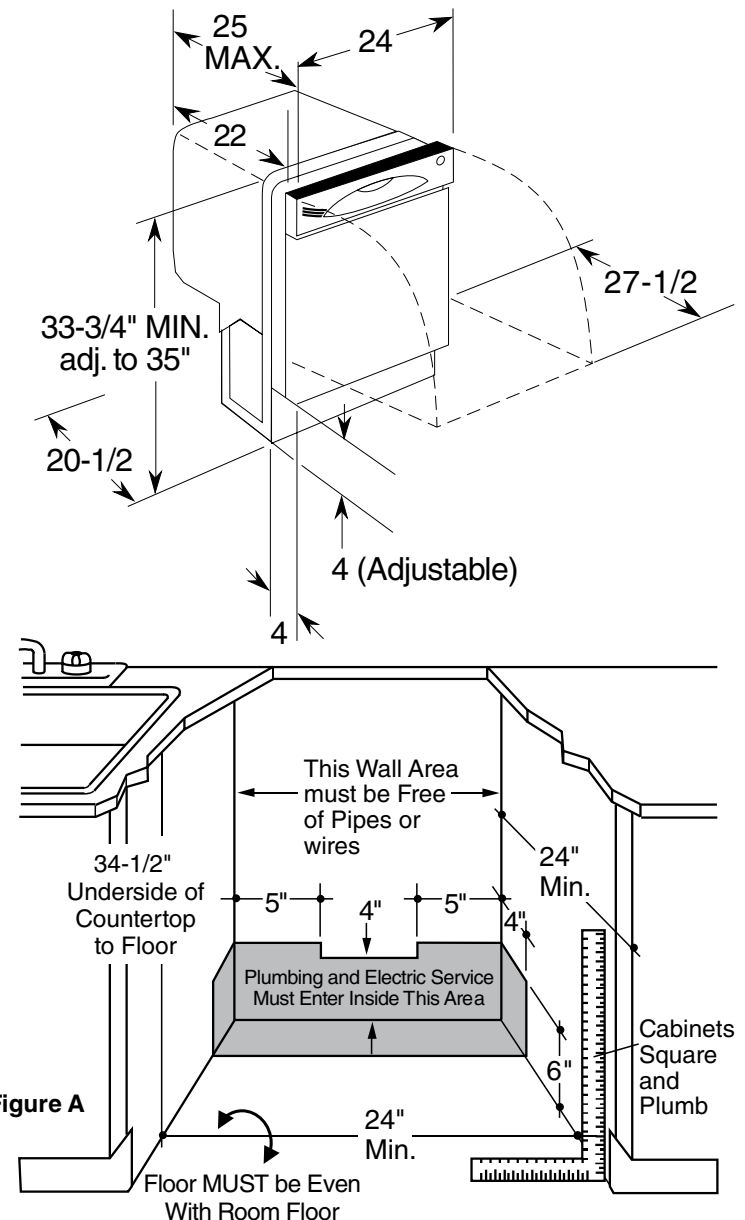
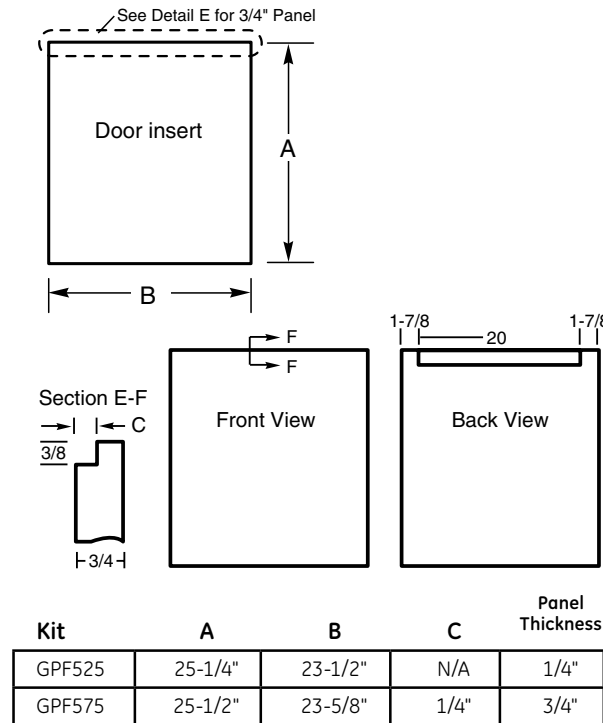
Voltage AC.....	120
Hertz.....	60
Total connected load amperage.....	10
Calrod® heater watts max.....	875

For use on adequately wired 120-volt, 15-amp circuit having 2-wire service with a separate ground wire. This appliance must be grounded for safe operation.

**Note:** The rough cabinet opening must be at least 24" deep, 24" wide and approximately 34-1/2" high from floor to underside of the countertop. Dishwasher must not be installed more than 10 feet from sink for proper drainage. All plumbing and electrical work must be in accordance with local codes. The power cord and connections must comply with the National Electrical Code Section 422 and/or local codes and ordinances. The cord must be no longer than 6 ft. from the junction box to the receptacle.

**Installation Information:** Before installing, consult installation instructions packed with product for current dimensional data.

For answers to your Monogram®, GE Profile™ or GE® appliance questions, visit our website at [ge.com](http://ge.com) or call GE Answer Center® service, 800.626.2000.

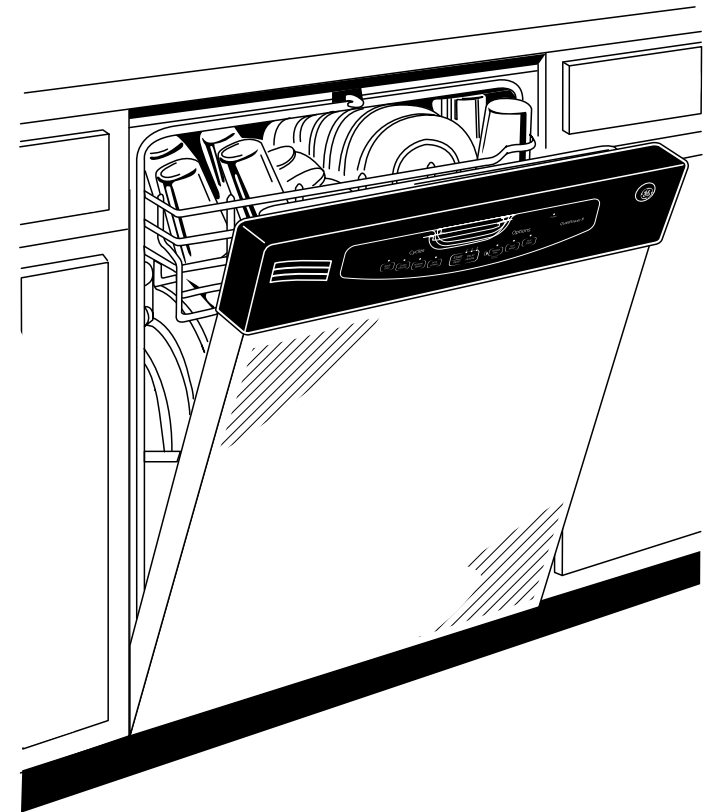


# GLD4406/4456/4466R

## GE® Tall Tub Built-In Dishwasher

### Features and Benefits

- PureClean wash system with 5-stage filtration - Multiple filtration levels ensure that soils are nowhere near clean dishware
- ENERGY STAR® Qualified - Meets or exceeds federal guidelines for energy efficiency for year-round energy and money savings
- Steam Pre-Wash option - Steam helps to loosen tough soils before any cycle
- SaniWash cycle - Special cycle reduces 99.999% of harmful germs and bacteria
- Deep-tiered white titanium upper rack - Durable racks are designed to resist rust and secure dishes
- QuietPower™ 57 sound package - 57 dBA - Advanced materials reduce the sound level to just 57 dBA
- 15 place setting capacity - Dishwasher can handle up to 15 place settings in a single load
- Model GLD4406RWW - White on white
- Model GLD4406RCC - Bisque on bisque
- Model GLD4406RBB - Black on black
- Model GLD4456RCS - CleanSteel™
- Model GLD4466RSS - Stainless steel



imagination at work

## Free Manuals Download Website

<http://myh66.com>

<http://usermanuals.us>

<http://www.somanuals.com>

<http://www.4manuals.cc>

<http://www.manual-lib.com>

<http://www.404manual.com>

<http://www.luxmanual.com>

<http://aubethermostatmanual.com>

Golf course search by state

<http://golfingnear.com>

Email search by domain

<http://emailbydomain.com>

Auto manuals search

<http://auto.somanuals.com>

TV manuals search

<http://tv.somanuals.com>