

PDWT400/480P

GE Profile™ Dishwasher with SmartDispense™ Technology

Dimensions and Installation Information (in inches)

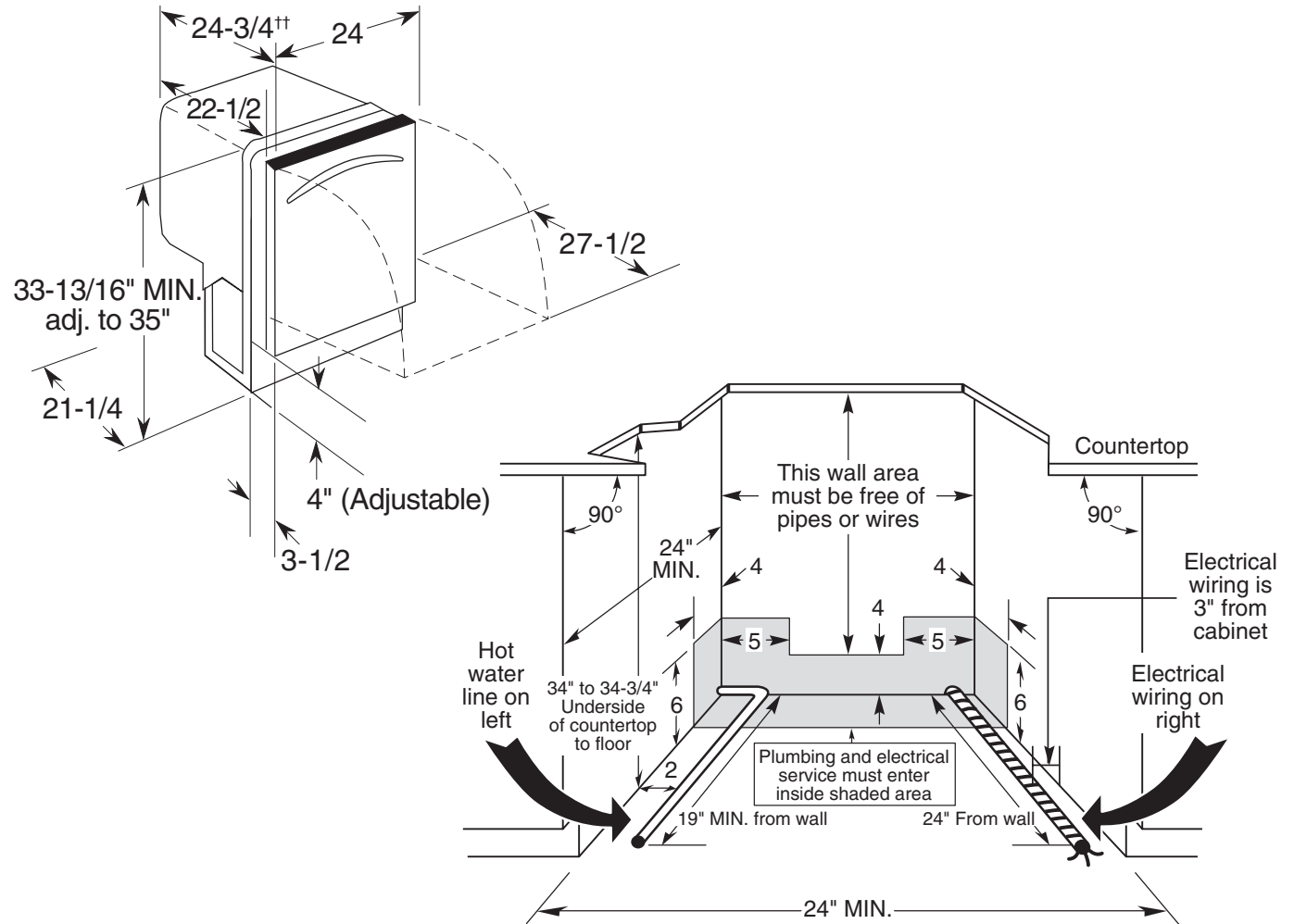
Electrical Rating

Voltage AC.....	120
Hertz.....	60
Total connected load amperage.....	9.1
Calrod® heater watts max.....	875

For use on adequately wired 120-volt, 15-amp circuit having 2-wire service with a separate ground wire. This appliance must be grounded for safe operation.

Installation Information: Before installing, consult installation instructions packed with product for current dimensional data.

†† Add 1/2" for deepest part of contour door. Allow an additional 2" for the handle on PDWT500/PDWT400/PDWT200 Series models.



For answers to your Monogram® GE Profile™ or GE® appliance questions, visit our website at ge.com or call GE Answer Center® service, 800.626.2000.



Listed by Underwriters Laboratories



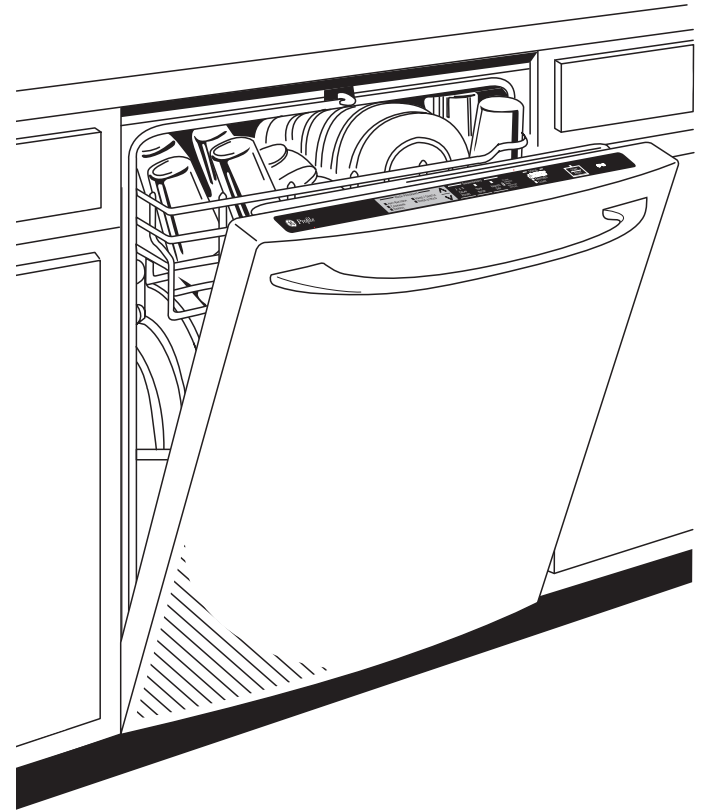
As an ENERGY STAR® partner, GE has determined that this product meets the ENERGY STAR guidelines for energy efficiency.

PDWT400/480P

GE Profile™ Dishwasher with SmartDispense™ Technology

Features and Benefits

- SmartDispense™ Technology - Holds up to 47 fl. oz. of detergent and dispenses it based on water hardness and soil levels
- 6-level BrilliantClean™ Towerless Wash System - Multiple wash levels help to remove tough food soils from dishes
- CleanSensor™ - A laser measures soil and water temperature to adjust to the ideal cycle time and optimize water usage
- Giant Tub with up to 16 Place Setting Capacity Nylon Racking - Holds tall and oversized items and washes up to 16 place settings at once
- 2 Sets of Fold-Down Tines in Lower Rack - Flexible tines make it easier to load the dishwasher
- 2/4/8-Hour Delay Start - Allows the dishwasher to be set to wash dishes at a later time
- Hand/Gentle Cycle - Gently cleans delicate items that would normally require handwashing
- Model PDWT480PSS - Stainless steel (shown)
- Model PDWT400PWW - White on white
- Model PDWT400PBB - Black on black



imagination at work

Free Manuals Download Website

<http://myh66.com>

<http://usermanuals.us>

<http://www.somanuals.com>

<http://www.4manuals.cc>

<http://www.manual-lib.com>

<http://www.404manual.com>

<http://www.luxmanual.com>

<http://aubethermostatmanual.com>

Golf course search by state

<http://golfingnear.com>

Email search by domain

<http://emailbydomain.com>

Auto manuals search

<http://auto.somanuals.com>

TV manuals search

<http://tv.somanuals.com>