

PDWT502VII

GE Profile™ Series Dishwasher with SmartDispense™ Technology

Dimensions and Installation Information (in inches)

Electrical Rating

Voltage AC.....	120
Hertz.....	60
Total connected load amperage.....	9.9
Calrod® heater watts max.....	875

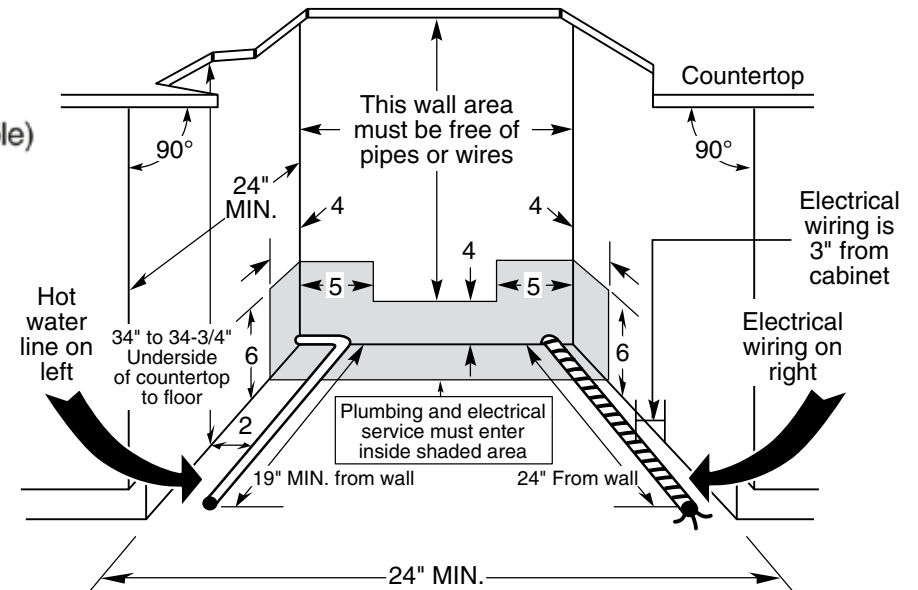
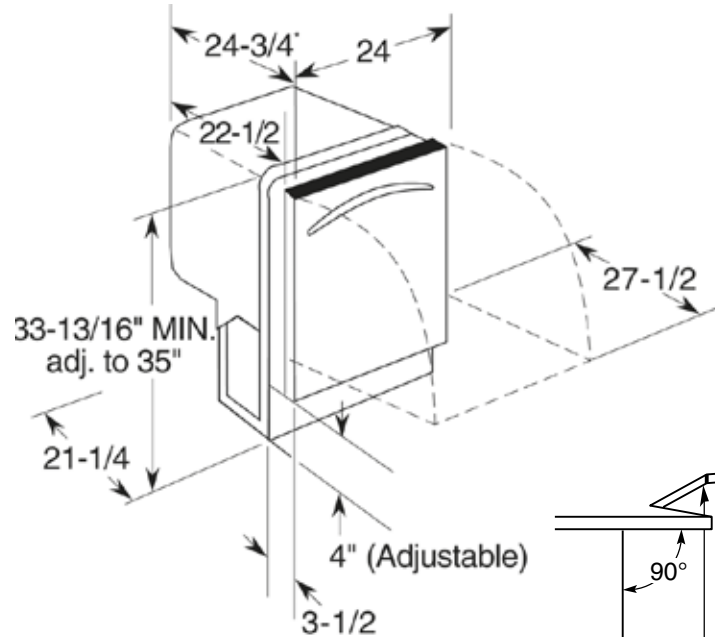
For use on adequately wired 120-volt, 15-amp circuit having 2-wire service with a separate ground wire. This appliance must be grounded for safe operation.

Installation Information: Before installing, consult installation instructions packed with product for current dimensional data.

†† Add 3/4" for custom panel and additional room for custom handle

An installation template is packed with these models and may be obtained in advance.

Order Pub. No. 5-X063.



For answers to your Monogram® Profile™ Series or GE® appliance questions, visit our website at geappliances.com or call GE Answer Center® service, 800.626.2000.



imagination at work



Listed by Underwriters Laboratories



As an ENERGY STAR® partner, GE has determined that this product meets the ENERGY STAR guidelines for energy efficiency.

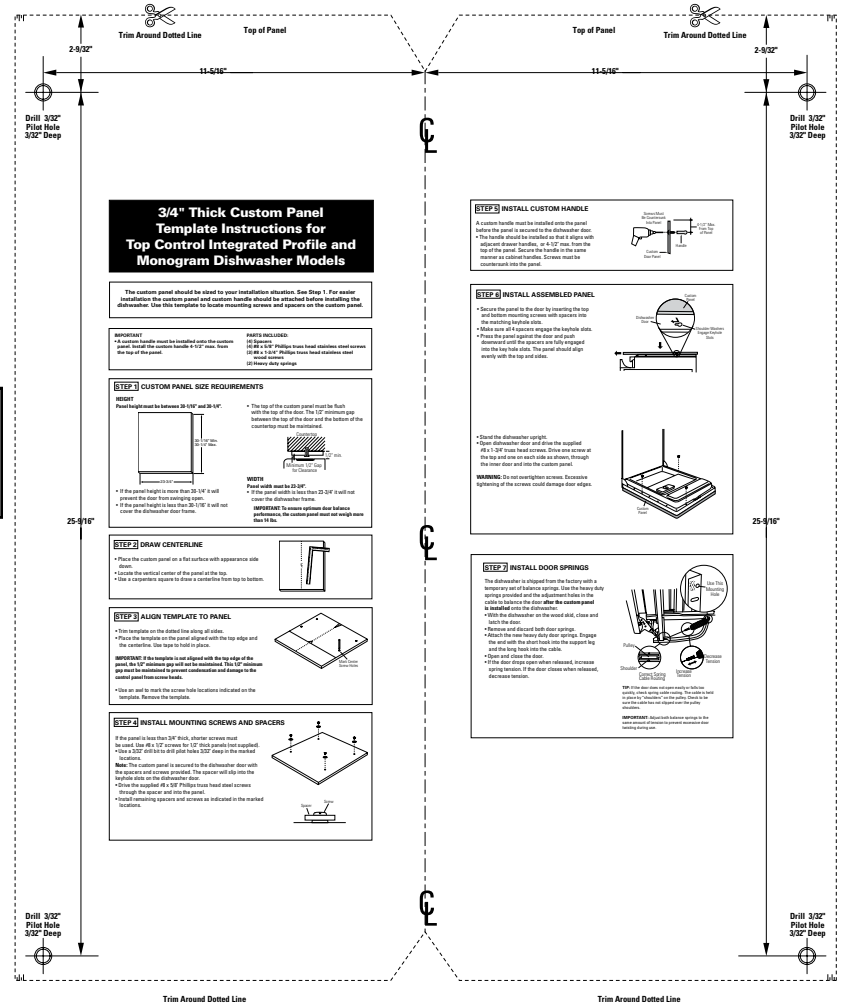
PDWT502VII

GE Profile™ Series Dishwasher with SmartDispense™ Technology

Custom Dishwasher Door Panel Template

GE Pub. No. 031-30569-1

**For Reference Only
Not to Scale**



Order GE Pub. No. 031-30569-1

Call 1-800-626-2000

For a full-size panel template with complete panel installation instructions.

For answers to your Monogram® Profile™ Series or GE® appliance questions, visit our website at geappliances.com or call GE Answer Center® service, 800.626.2000.



imagination at work



Listed by Underwriters Laboratories



As an ENERGY STAR® partner, GE has determined that this product meets the ENERGY STAR guidelines for energy efficiency.

Specification Revised 3/13

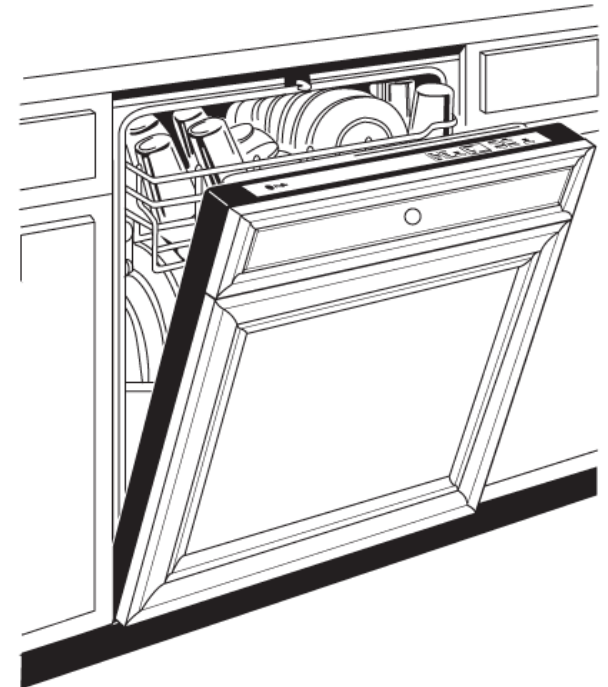
250244

PDWT502VII

GE Profile™ Series Dishwasher with SmartDispense™ Technology

Features and Benefits

- 5-stage filtration with Piranha™ hard food disposer - 5 self-cleaning filters ensure clean dishes
- Dedicated silverware jets - Highly pressurized spray jets target the silverware area for improved cleaning
- Deep Clean cycle with Steam Prewash - Removes tough, baked-on soils like egg, rice and oatmeal
- Top rack only selection - Upper rack only cycle uses less water than a full load
- Fan assist dry with heated option and ActiveVent - A heating element heats the air inside while a hidden fan circulates the warm air to help dry dishes
- 48 dBA sound level - Nearly silent two-pump system cleans dirty dishes without disruption
- ENERGY STAR® qualified and CEE Tier II rated - Meets or exceeds federal guidelines for energy efficiency for year-round energy and money savings
- Eclipse black full-extension racks with ball-tip tines - Durable racks glide smoothly on ball-bearings for easy loading
- Lower rack fold-down tines - Flexible loading options handle today's dishes and cookware of all shapes and sizes
- SmartDispense™ technology - Conveniently stores up to 47 oz of liquid detergent and automatically dispenses multiple doses in each cycle
- Upper rack deep bowl tines - Even oversized bowls fit perfectly in the top rack for easy cleaning
- Flexible racks - Designed for today's dishes and holds up to 16-place settings
- Two-pump system - One small pump for washing/rinsing and one small pump to remove soils provide excellent wash performance with reduced sound
- Model PDWT502VII - Custom panels required



imagination at work

Free Manuals Download Website

<http://myh66.com>

<http://usermanuals.us>

<http://www.somanuals.com>

<http://www.4manuals.cc>

<http://www.manual-lib.com>

<http://www.404manual.com>

<http://www.luxmanual.com>

<http://aubethermostatmanual.com>

Golf course search by state

<http://golfingnear.com>

Email search by domain

<http://emailbydomain.com>

Auto manuals search

<http://auto.somanuals.com>

TV manuals search

<http://tv.somanuals.com>