



Wireless Pushbutton

Required Tools: Small flat blade screwdriver, drill, drill bit, and phillips screwdriver.

Included Hardware:

- (2) 3x20mm screws
- (2) Double sided adhesive pads

Required Tools: Small flat blade screwdriver, drill, drill bit, and phillips screwdriver.

Chime Tune Setting

All wireless chimes may have more than one push button. The chime tune for each push button is set with jumpers 7-9.

Single Push Button Kit: If you purchased a kit with a single push button, the chime tune will be set to Ding Dong from the factory.

Dual Push Button Kit: If you purchased a kit with two push buttons, one push button will be set to Ding Dong and the other push button will be set to Westminster from the factory.

The following instructions explain how to change the tune on any wireless push button.

1. Remove the battery from the push button transmitter.
2. Locate the 9 position jumper shown below.



9 position jumper (This pushbutton is set for Ding Dong Chime since 7=off, 8=on, and 9=off.)

3. Select the desired chime sound from the table below.

Chime Sound Table

Position	7	8	9
Westminster	ON	OFF	OFF
Ding Dong	OFF	ON	OFF
Knock	OFF	OFF	ON
Bronze Chime	ON	ON	OFF
Cuckoo Clock	ON	OFF	ON
Foghorn	OFF	ON	ON
Gong	ON	ON	ON

ON: *Add a jumper to a location*

OFF: *Remove jumper from a location.*

4. Remove or add the jumpers to match the table.
5. Store unused jumpers as shown.



Parking the jumper on an open set of pins. The two jumpers on the left are in the parked position.

Setting The House Security Code

Each chime component has jumpers for setting the house security code. In most cases you will not need to change the factory settings for the security code. If your chime activates intermittently or does not work at all, you may be able to solve the problem by changing your security code.

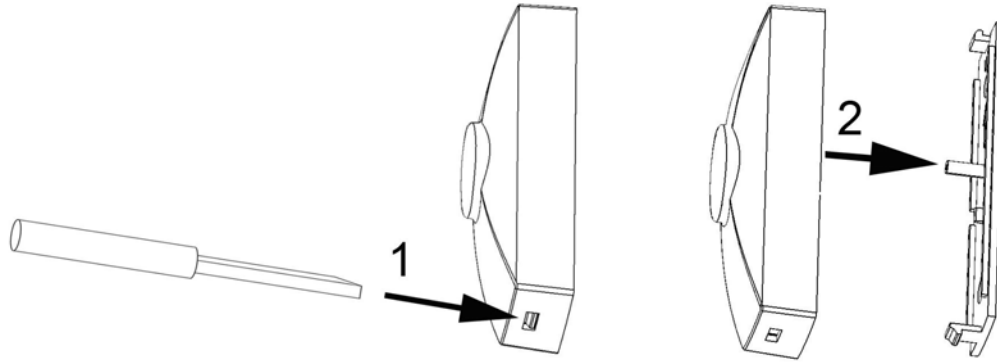
Adding Additional Buttons

When adding a pushbutton to an existing system, you need to check the security code on the existing chime and match the new pushbutton to that code.

The chime and pushbutton must be set to the same house security code for the combination to operate together.

Note: The push button has 3 additional jumpers that are used to set the chime tune that will play. The chime tune jumpers do not affect the house security code.

1. Remove batteries from the pushbutton by opening the case as shown below.



2. Locate the pushbutton jumpers shown below.



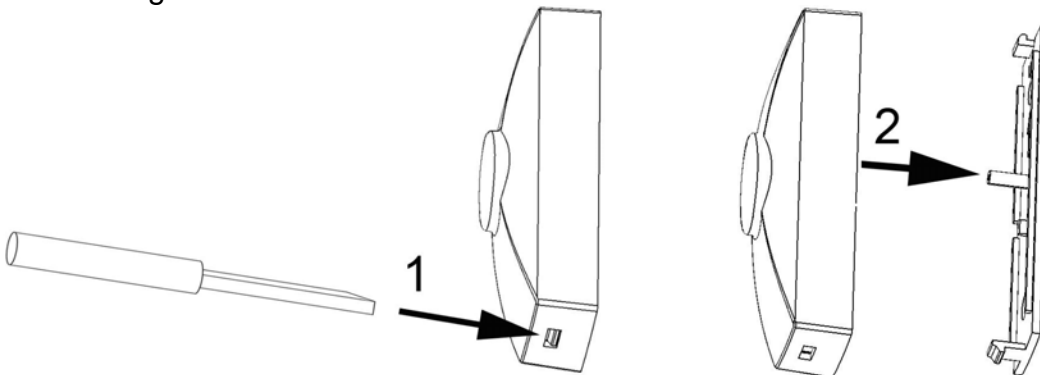
Push Button Jumpers

3. Jumpers 1-6 are used to select 1 of 64 possible home security codes.
4. To change the house code, add or remove jumpers as needed. After matching the existing security code, test the system for proper operation. Positions 1-6 on the chime and pushbutton must match exactly.

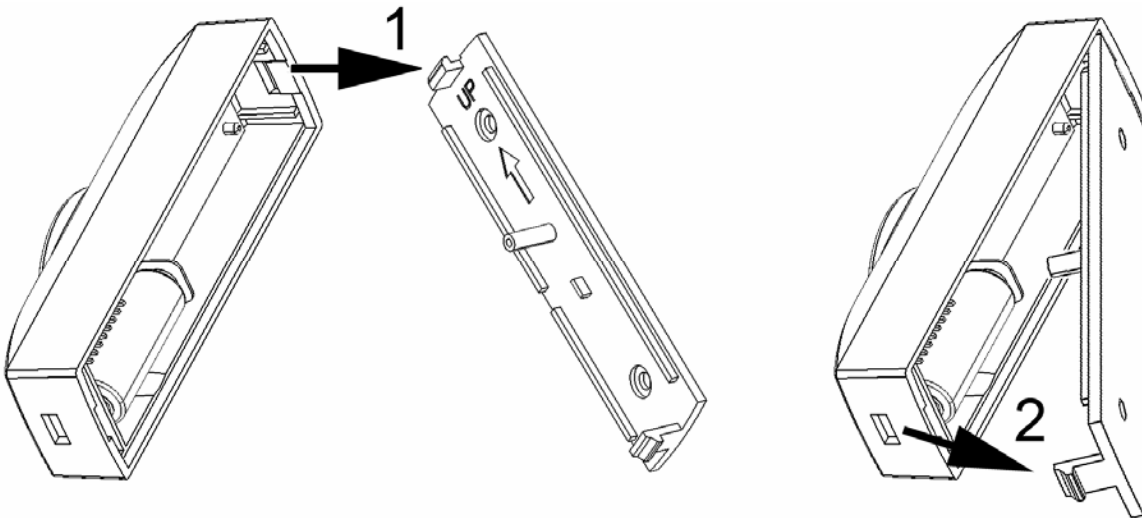
Push Button Mounting Instructions

Note: Avoid mounting the push button on metal surfaces, as it may result in a reduced range of transmission. Do not mount in an area of rain (direct weather.)

a. Removing the back cover

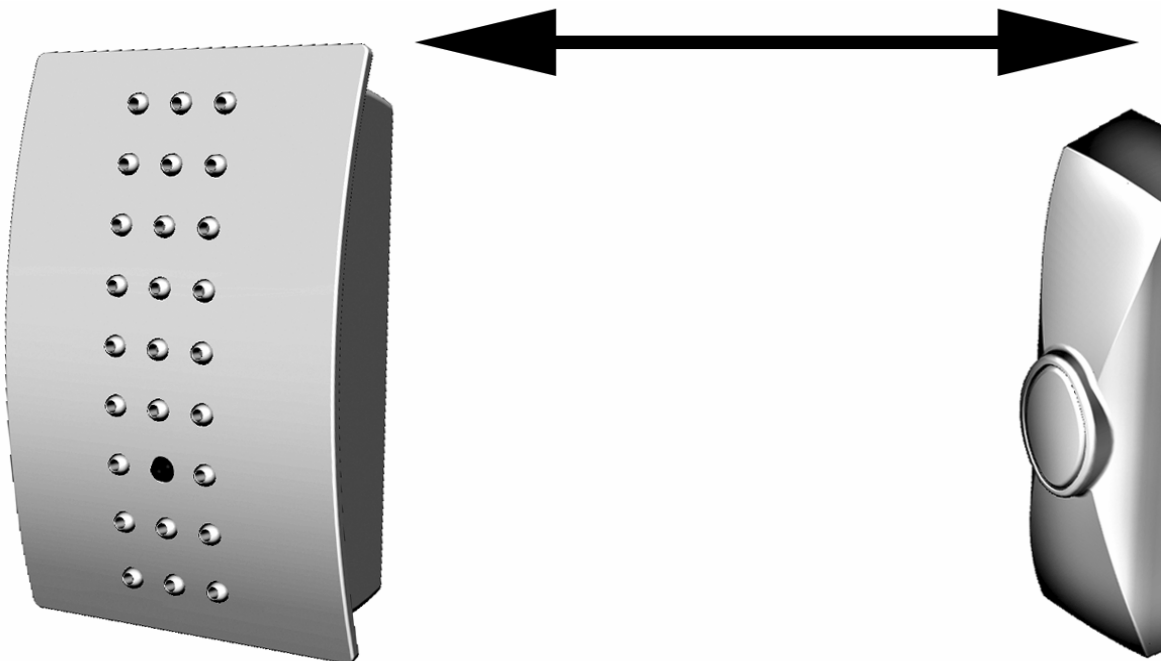


b. Replacing the back cover

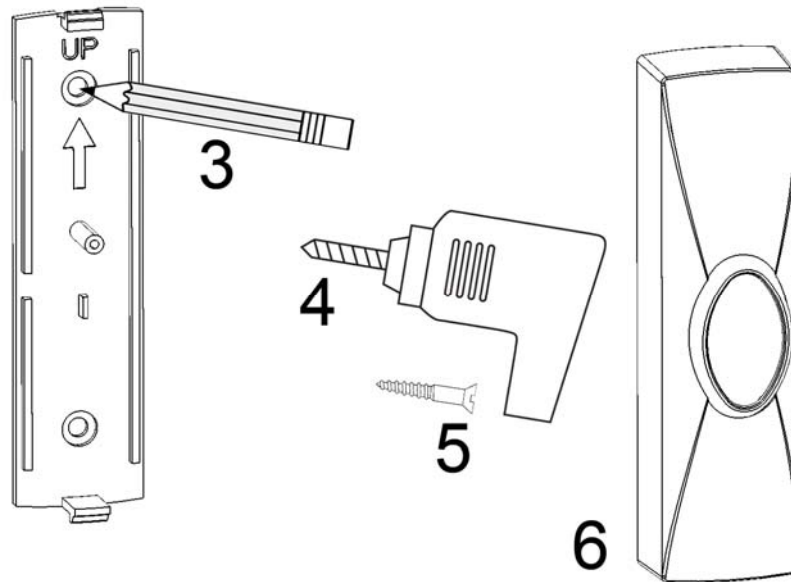


1. Push buttons are typically mounted at the same height as the door knob or handle (between 36" and 44" above the floor).
2. Before mounting, choose a mounting location that is not farther than 150 feet from the chime unit location.

Not farther than 150 feet



3. Place the push button where you would like to mount it and with the chime as close to its final position as possible and test operation. If it works, mount the button. If it does not work, see TROUBLESHOOTING.
4. Use back cover of push button as a template to mark two screw holes.



5. Drill two holes with 3/32" size drill in marked locations.
6. Secure back cover to the mounting surface with two supplied mounting screws.
7. Press front housing onto back cover.
8. Test operation. If the chime does not work, see TROUBLESHOOTING.

Operation

1. Turn on the chime.
2. Gently press transmitter button to sound chime.

Troubleshooting

Chime doesn't work:

1. Make sure push button switch is depressed and held for at least 1 second.
2. Make sure plastic tag is removed from battery.
3. Make sure house code switches 1-6 on chime and push button match exactly.
4. Verify battery orientation in push button.
5. Try fresh batteries.
6. Make sure chime is not farther than 150 feet away from push button.
7. Ensure push button is not mounted on metal, near metal studs, or near the floor.
8. Try a new location for the chime.

Functional range may be adversely affected by one or more of the following factors: weather, radio frequency interference, low transmitter battery and obstructions between the transmitter and receiver.

This device complies with Part 15 of the FCC rules. Operation is subject to the following conditions:

1. This device may not cause harmful interference, and
2. This device must accept interference received, including any interference that may cause undesired operation.

**For technical support contact Jasco Products Company at 1-800-654-8483
or www.jascoproducts.com**

Made in China



is a trademark of
General Electric Company
and is used under license to
Jasco Products Company LLC,
311 N.W. 122nd Street,
Oklahoma City, OK 73114.
www.jascoproducts.com

Rev. 1-07

19216

Free Manuals Download Website

<http://myh66.com>

<http://usermanuals.us>

<http://www.somanuals.com>

<http://www.4manuals.cc>

<http://www.manual-lib.com>

<http://www.404manual.com>

<http://www.luxmanual.com>

<http://aubethermostatmanual.com>

Golf course search by state

<http://golfingnear.com>

Email search by domain

<http://emailbydomain.com>

Auto manuals search

<http://auto.somanuals.com>

TV manuals search

<http://tv.somanuals.com>