

JTP90SP

GE® 30" Built-In Double Microwave/Thermal Wall Oven

Dimensions and Installation Information (in inches)

KW Rating	
240V	6.4
208V	5.6
Breaker Size	
240V	30 Amps
208V	30 Amps

Note: Cabinets installed adjacent to wall ovens must have an adhesion spec of at least a 194°F temperature rating.

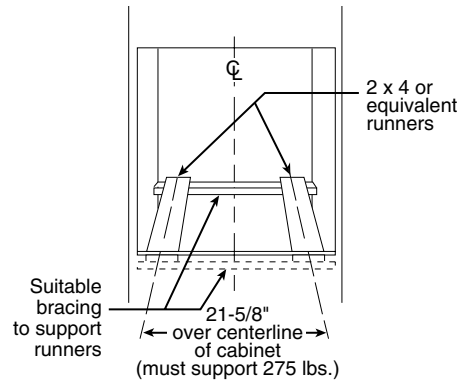
Installation Information: Before installing, consult installation instructions packed with product for current dimensional data.

Door handle protrudes 3" from door face. Cabinets and drawers on adjacent 45° and 90° walls should be placed to avoid interference with the handle.

Electric wall ovens are not approved for installation with a plug and receptacle. They must be hard wired in accordance with installation instructions.

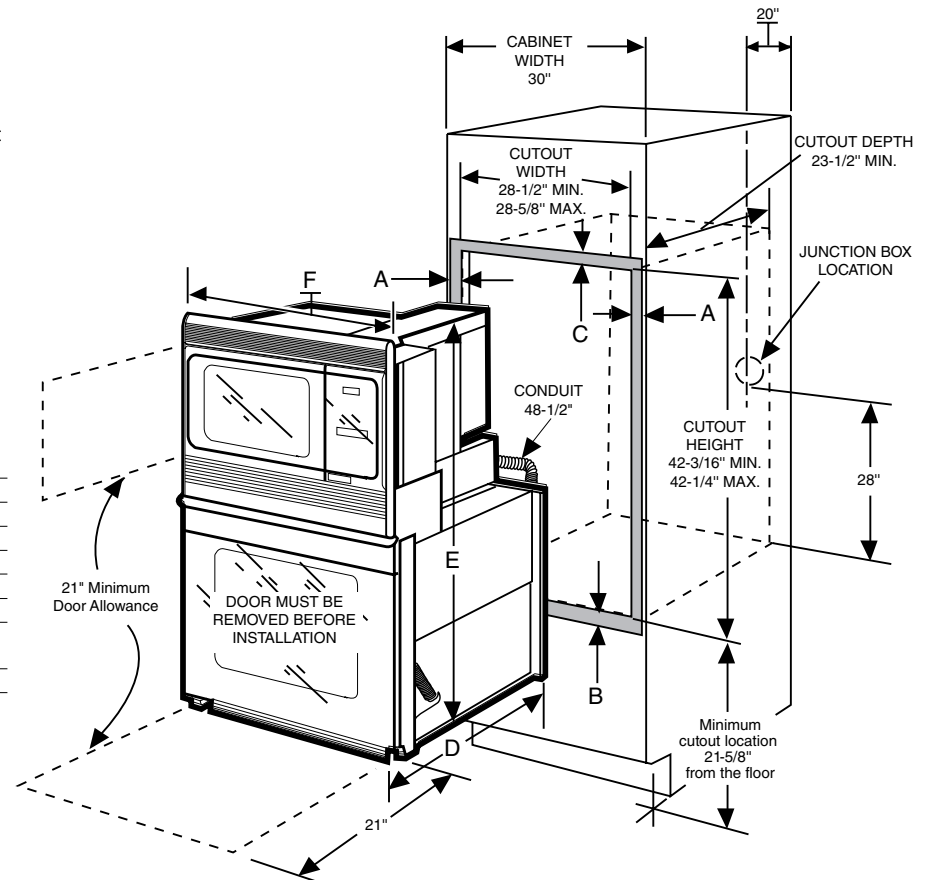
Note: These ovens are not approved for stackable or side-by-side installations.

For answers to your Monogram,® GE Profile™ or GE® appliance questions, visit our website at ge.com or call GE Answer Center® service, 800.626.2000.



Cabinet	30"
A – Overlap of oven over side of edges of cutout	11/16"
B – Overlap of oven at top and bottom of cutout	1"
C – Overall of oven at top of cutout	1/2"
Oven	
D – Overall depth*	23-1/2"
E – Overall height with trim	44"
Overall height without trim	43-1/2"
E – Overall width	29-3/4"

*Depth including door handle is approximately 26-6/10" min. to 26-9/10" max.



MOST 30" WALL CABINETS CAN BE USED WITH THIS UNIT. THE OPENING BETWEEN THE INSIDE WALLS MUST BE AT LEAST 28-1/2" WIDE.



imagination at work



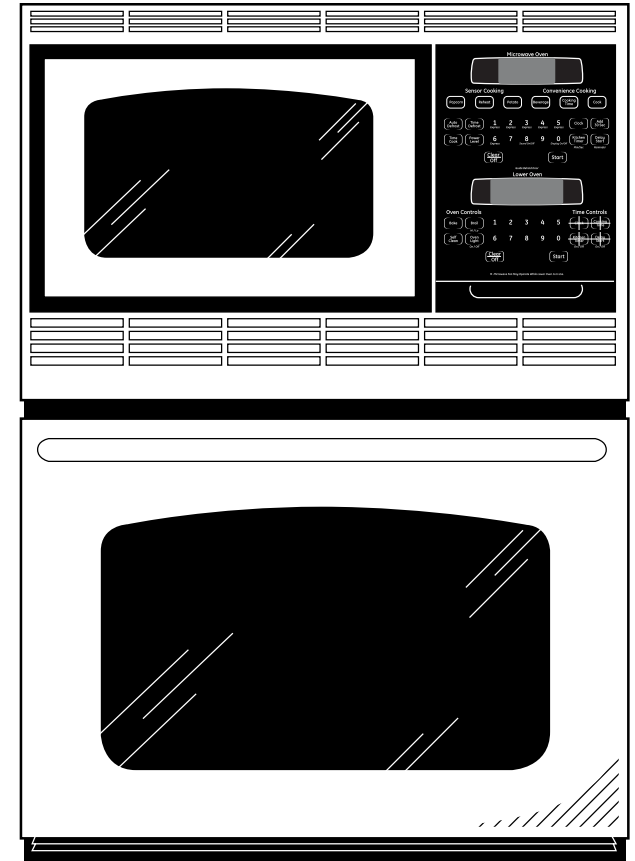
Listed by Underwriters Laboratories

JTP90SP

GE® 30" Built-In Double Microwave/Thermal Wall Oven

Features and Benefits

- Self-clean Oven - Self-clean allows you to spare yourself from the trouble and effort it takes to scrub the oven interior. The oven does all the work!
- Super-large Oven Capacity - Provides an impressively large oven interior for cooking more dishes and large meals at once
- Electronic Oven Controls - Electronic pads on the control panel are easy to operate with just a touch
- TrueTemp™ Oven System - Provides even heat distribution and precise oven control
- 1.6 Cu. Ft. Capacity (Upper Oven Only) - Provides a large interior to accommodate a variety of cookware, dinnerware and food containers
- Sensor Cooking Controls (upper oven only) - Automatically adjusts time and power for delicious cooking results
- Turntable (upper oven only) - Rotates food throughout the cooking cycle for even cooking results
- Hidden Bake Oven Interior - Conceals the lower oven bake element to eliminate hard-to-reach areas that collect food and spills for easy cleaning
- Model JTP90SPSS – Stainless steel



For answers to your Monogram,® GE Profile™ or GE® appliance questions, visit our website at ge.com or call GE Answer Center® service, 800.626.2000.



imagination at work



Listed by
Underwriters
Laboratories

Specification Created 5/09

320223

Free Manuals Download Website

<http://myh66.com>

<http://usermanuals.us>

<http://www.somanuals.com>

<http://www.4manuals.cc>

<http://www.manual-lib.com>

<http://www.404manual.com>

<http://www.luxmanual.com>

<http://aubethermostatmanual.com>

Golf course search by state

<http://golfingnear.com>

Email search by domain

<http://emailbydomain.com>

Auto manuals search

<http://auto.somanuals.com>

TV manuals search

<http://tv.somanuals.com>