

PS978STSS

GE Profile™ Slide-In Double Oven Electric Range

Dimensions and Installation Information (in inches)

KW Rating	
240V	14.4
208V	10.8
Breaker Size	
240V	40 Amps
208V	40 Amps

Note: To reduce the possibility of scorching the side walls above the countertop when no load is present on burners, it is recommended that a minimum 6" spacing from adjacent side wall be allowed for possible extended high-heat element operation.

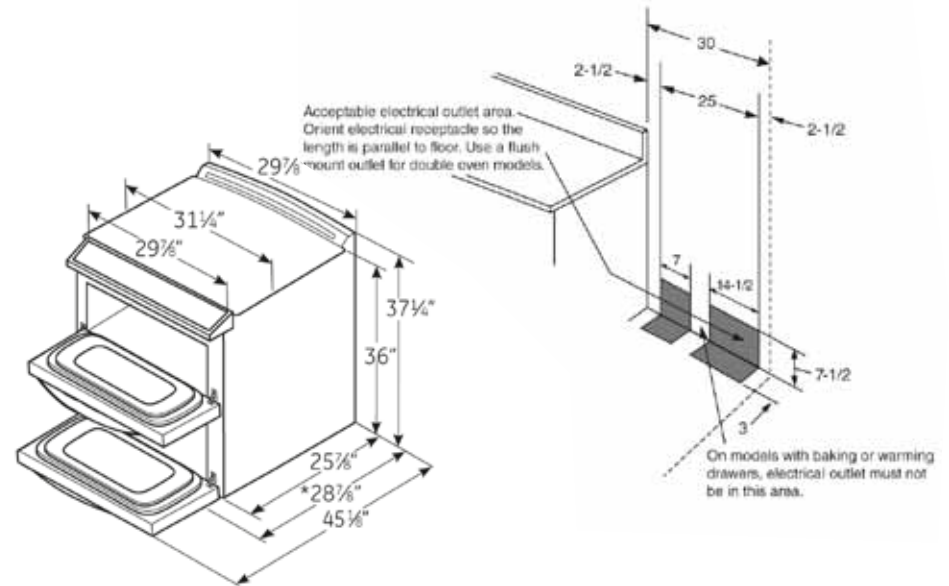
Receptacle Locations: For all 30" Slide-In Ranges locally approved flexible service cord or conduit must be used because terminals are not accessible after range installation. See shaded area in drawing for location of electrical outlet box. Recommended outlet locations allow range to be installed directly against rear wall.

Minimum dimensions between cooktop, walls and above the cooktop:

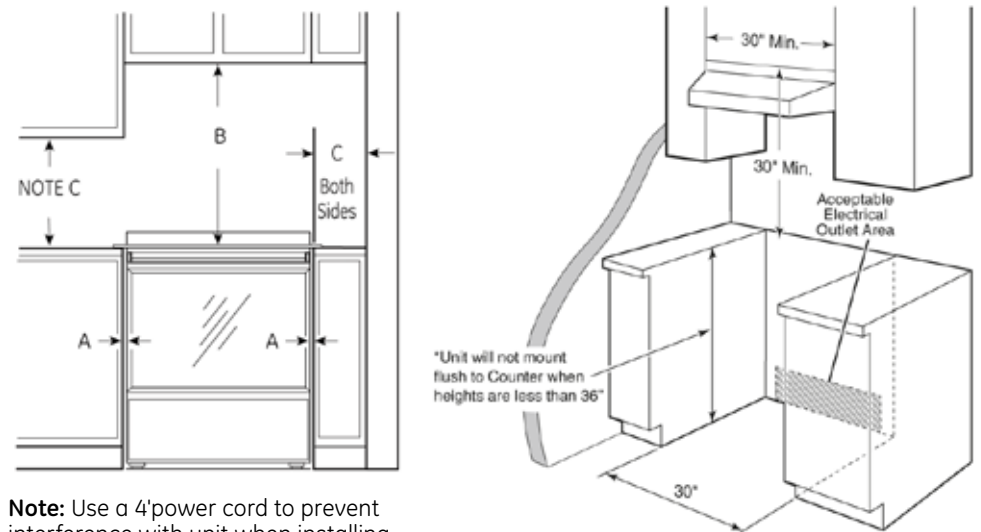
- Make sure the wall covering, countertop, flooring and cabinets around the range can withstand the heat (up to 200°F) generated by the range.
- Allow 30" minimum clearance between surface units and bottom of unprotected wood or metal cabinet, or allow a 24" minimum when bottom of wood or metal cabinet is protected by no less than 1/4" thick flame retardant millboard covered with not less than No 28 MSG sheet metal, (.015"), .015" thick stainless steel, .024" aluminum or .020" copper. Acceptable electrical outlet area. Orient electrical receptacle so the length is parallel to floor.
- This appliance has been approved for 0" spacing to adjacent surfaces above the cooktop. However, a 6" minimum spacing to surfaces less than 15" above the cooktop and adjacent cabinet is recommended to reduce exposure to steam, grease splatter and heat. To reduce the risk of burns or fire when reaching over hot surface elements, cabinet storage space above the cooktop should be avoided. If cabinet storage space is to be provided above the cooktop, the risk can be reduced by installing a range hood that projects at least 5" beyond the front of the cabinets. Cabinets installed above the cooktop must be no deeper than 13".

Installation information: Before installing, consult installation instructions packed with product for current dimensional data.

For answers to your Monogram®, GE Profile™ or GE® appliance questions, visit our website at geappliances.com or call GE Answer Center® service, 800.626.2000.



*Depth including door handle is approximately 28-7/8".



Note: Use a 4' power cord to prevent interference with unit when installing.



All GE ranges are equipped with an Anti-Tip device. The installation of this device is an important, required step in the installation of the range.



Specification Revised 3/12

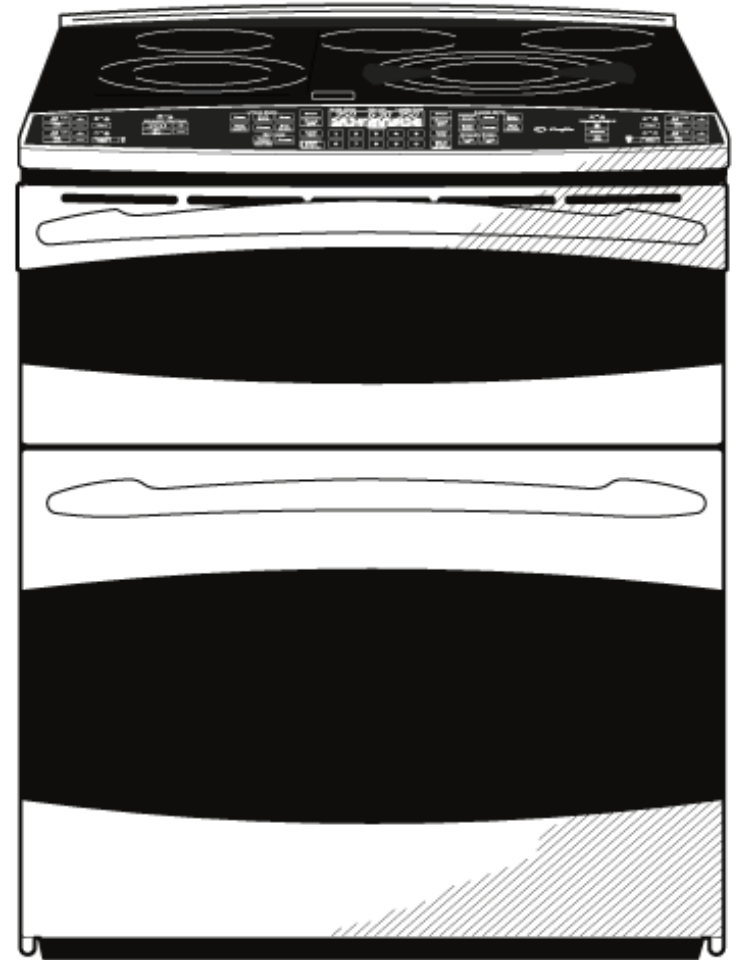
220455

PS978STSS

GE Profile™ Slide-In Double Oven Electric Range

Features and Benefits

- Double oven 6.6 cu. ft. total oven capacity - Large capacity is ideal for big meals
- PreciseAir™ convection system - A reversing fan circulates heat and air for evenly browned and baked foods
- NextStep controls - Knob-free controls illuminate to lead through the control setting process
- 12"/9"/6" Tri-ring element - Provides three cooking areas in one for the ultimate in cooking versatility
- 5"/8" Dual Powerboil element - Two heating elements in one allows you to choose either a 5" or 8" element for your cookware
- Self-clean oven - Conveniently cleans the oven cavity without the need for scrubbing
- Hidden bake oven interior (upper and lower) - Conceals the lower oven element to simplify cleaning
- Heavy-duty roller rack - Racks provide easy access to items inside the oven by simplifying loading and unloading
- Warming zone (Fifth element warming zone) - Simplify meals by keeping foods fresh from the oven warm and ready to serve
- Model PS978STSS - Stainless steel (Stainless steel door and black patterned cooktop)



imagination at work

Free Manuals Download Website

<http://myh66.com>

<http://usermanuals.us>

<http://www.somanuals.com>

<http://www.4manuals.cc>

<http://www.manual-lib.com>

<http://www.404manual.com>

<http://www.luxmanual.com>

<http://aubethermostatmanual.com>

Golf course search by state

<http://golfingnear.com>

Email search by domain

<http://emailbydomain.com>

Auto manuals search

<http://auto.somanuals.com>

TV manuals search

<http://tv.somanuals.com>