



PB-31101-035A
Supersedes PB-31101-035

GE Renewal Parts

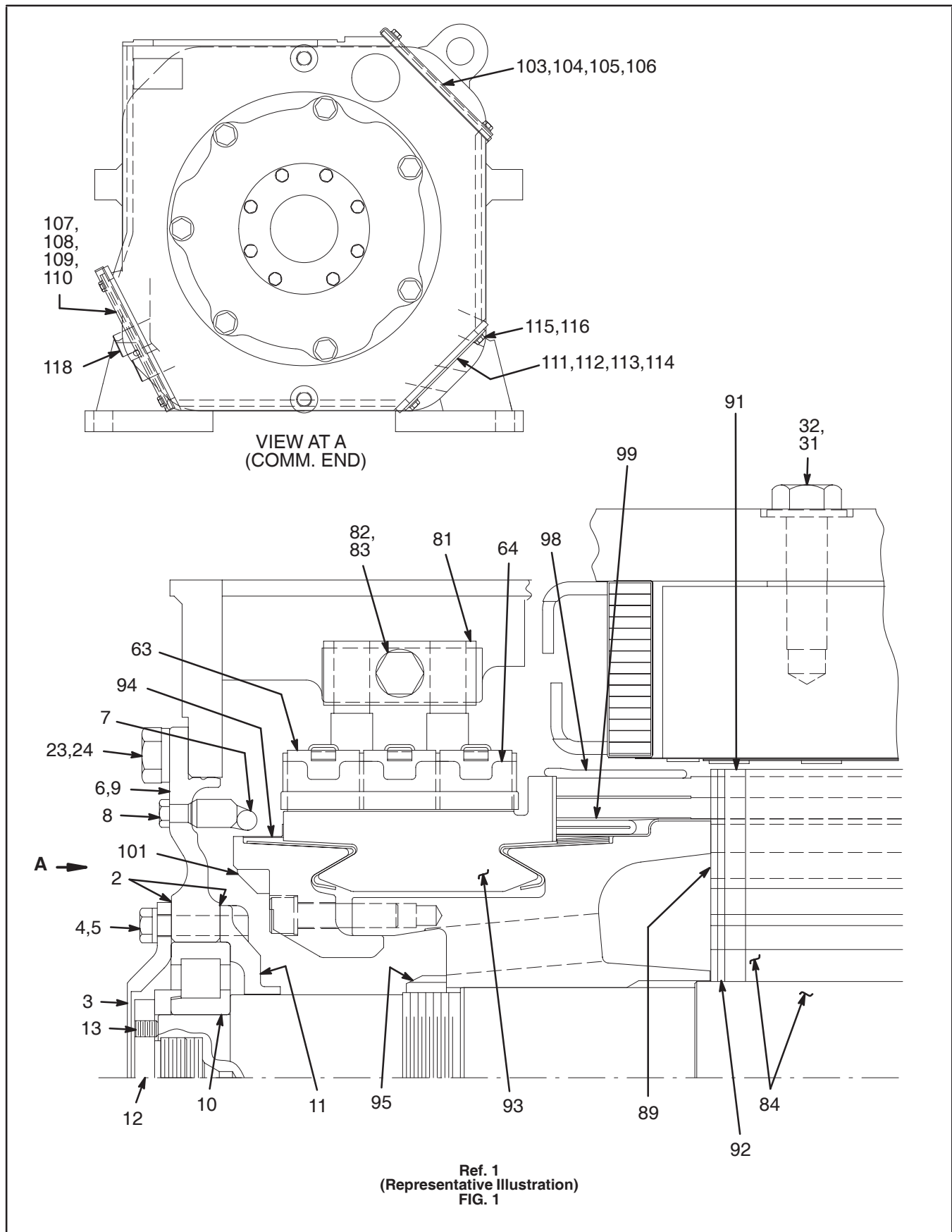
Use original equipment parts for reliability

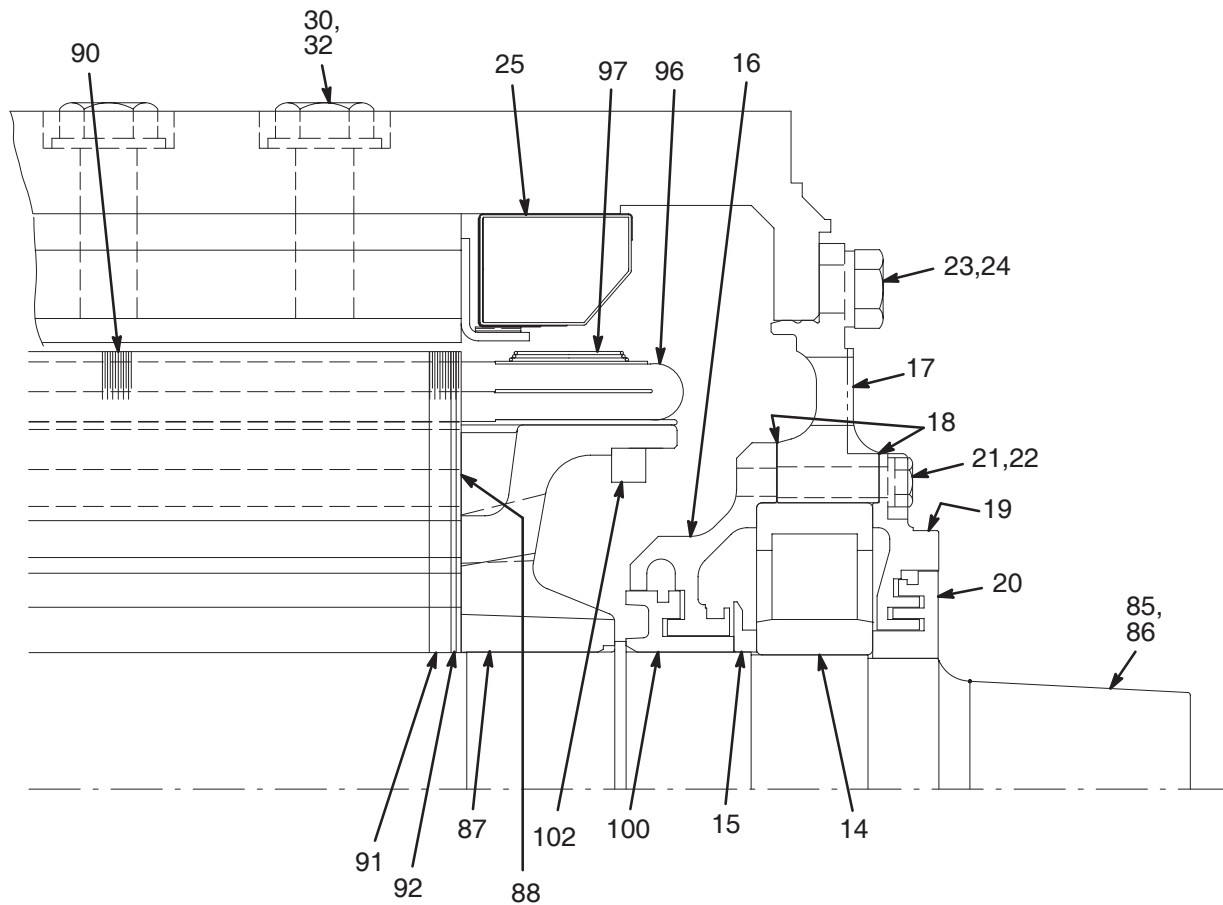
PARTS BULLETIN

DRILLING MOTOR MODEL 5GE752RB3A

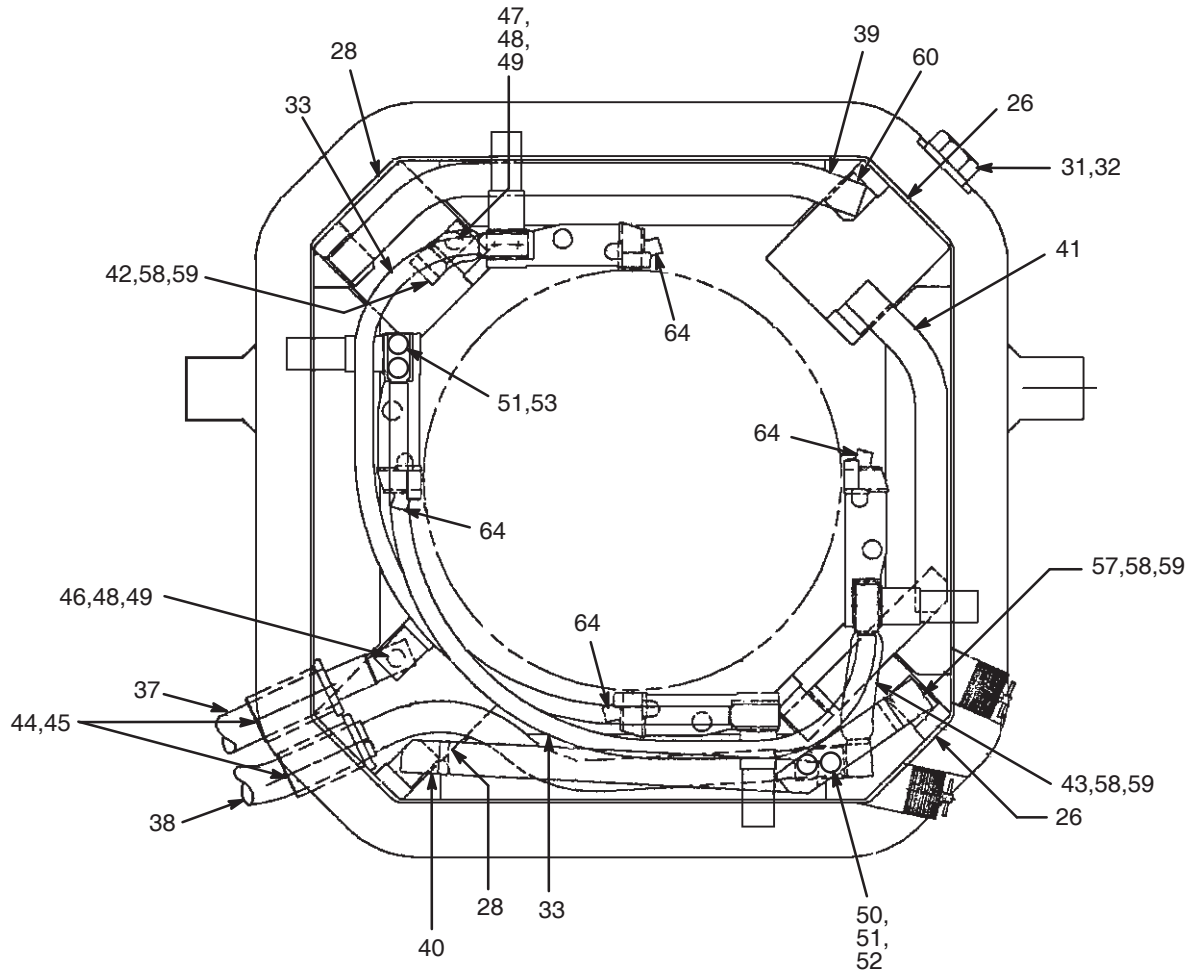
SEPTEMBER 10, 1997

© Copyright 1997 General Electric Company. All rights reserved. This copyrighted document may be reproduced free of charge by General Electric Company customers, if such reproduction is used exclusively in connection with equipment used in that customer's internal operation.



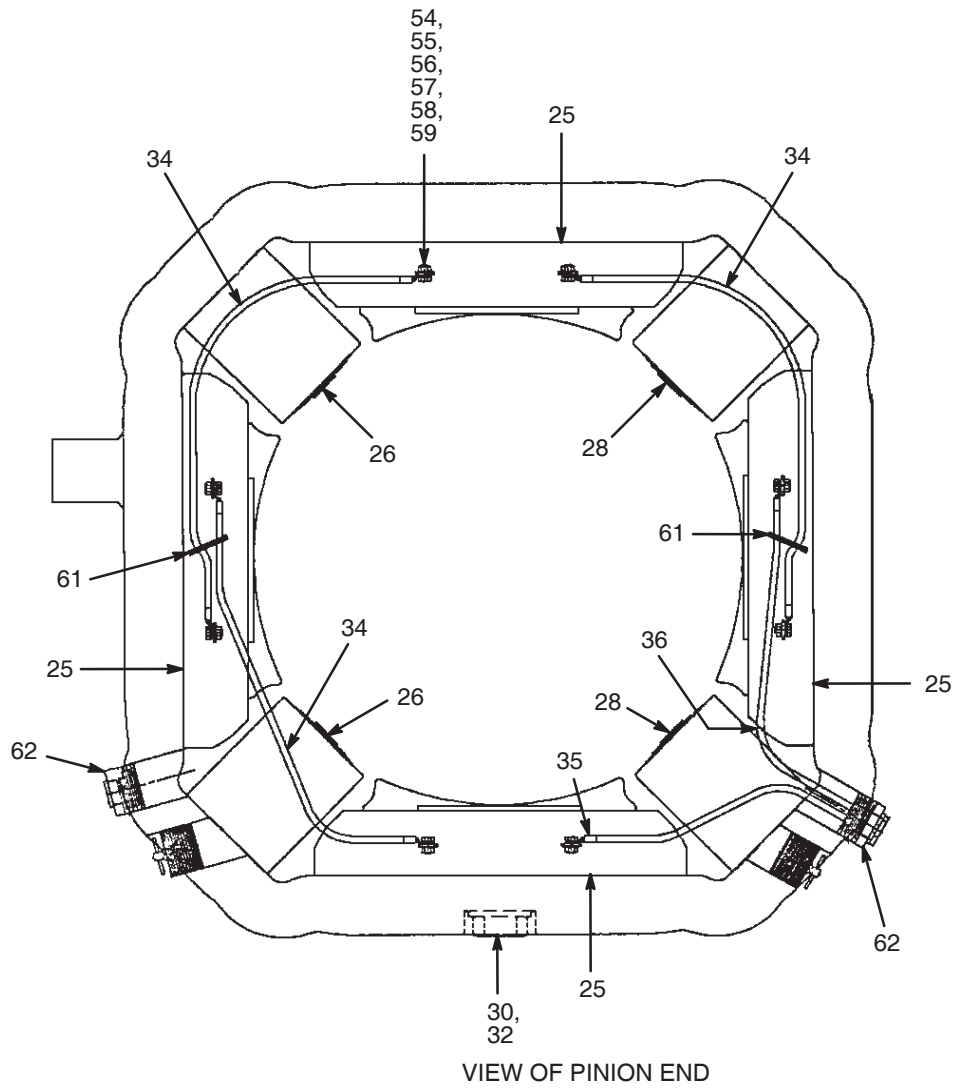


(Representative Illustration)
FIG. 1 (Cont'd.)

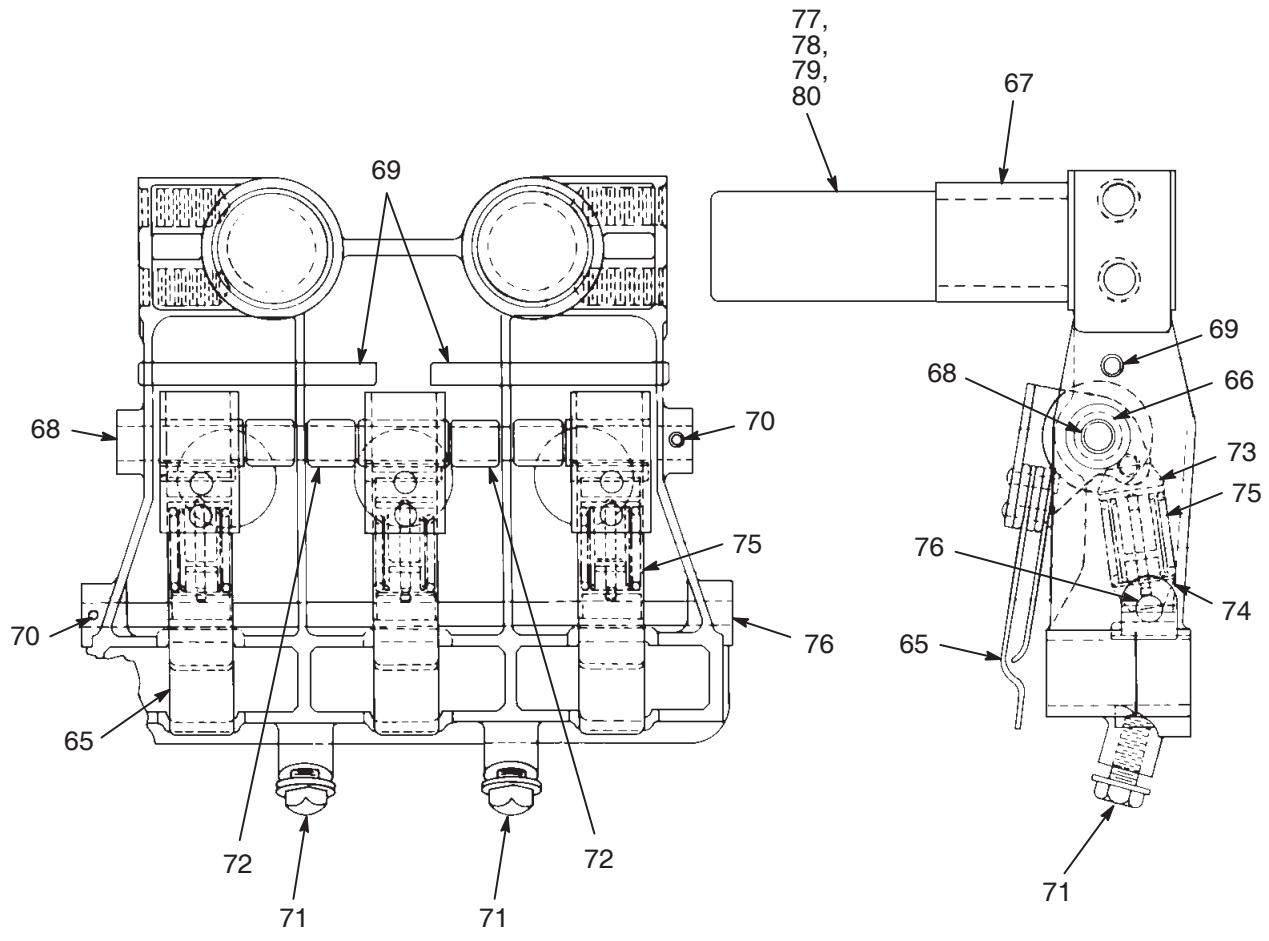


VIEW AT COMMUTATOR END

(Representative Illustration)
FIG. 2



(Representative Illustration)
FIG. 2 (Cont'd.)



Ref. 64
Brush Holder
(Representative Illustration)
FIG. 3

DRILLING MOTOR
MODEL 5GE752RB3A

PB-31101-035A
Supersedes PB-31101-035

FIG. NO.	REF. NO.	PART NO.	QUANT REQ. COL. A	DESCRIPTION
1	1	5GE752RB3A	1	DRILLING MOTOR
1	2	4732368P1	2	GASKET, 0.021 IN THK
1	3	6739891P2	1	*BEARING CAP
1	4	N22P33048	8	BOLT, HEX HD, 5/8 IN-11, 3 IN LONG
1	5	41B537660P9	8	WASHER, FLAT, 0.725 IN ID, 1 IN OD
1	6	41C635865G2	1	*FRAME HEAD ASSEMBLY
1	7	481A560G1	1	FLASH RING
1	8	N22P29020B13	6	BOLT, HEX HD, 1/2 IN-13, 1 1/4 IN LONG
1	9	N509P2516	1	PIN, SPRING DOWEL, 1/4 IN DIA, 1 IN LONG
1	10	8864951P119	1	ROLLER BEARING
1	11	334B761P1	1	BEARING CAP
1	12	949X47	1	RETAINING NUT WITH SET SCREW
1	13	41A239107P1	2	SCREW, HEX SOC HD, 1/2 IN-13, 3/4 IN LONG
1	14	8864951P167	1	ROLLER BEARING
1	15	4713640P1	1	FLINGER
1	16	6744700P2	1	BEARING CAP, INNER
1	17	41C637314P1	1	FRAME HEAD
1	18	4732906P1	2	GASKET, 0.021 IN THICK
1	19	2739317P2	1	*BEARING CAP
1	20	4732351P1	1	SLEEVE
1	21	N22P33056	8	BOLT, HEX HD, 5/8 IN-11, 3 1/2 IN LONG
1	22	41B537660P9	8	WASHER, FLAT, 0.725 IN ID, 1 IN OD
1	23	N22P39032	11	BOLT, HEX HD, 1 IN-8, 2 IN LONG
1	24	41B537660P21	11	WASHER, FLAT, 1.063 IN ID, 2 IN OD
1	25	8855483G4	4	COIL WITH POLE PIECE, EXCITING
2	26	41C637285G7	2	COIL WITH POLE PIECE, COMMUTATING
		DELETED	2	*NOT USED
2	28	41C637285G10	2	COIL WITH POLE PIECE, COMMUTATING
		DELETED	2	*NOT USED
1,2	30	N22P45060	12	BOLT, HEX HD, 1 1/4 IN-7, 3 3/4 IN LONG
1,2	31	41A239559P1	12	BOLT, HEX HD, 1 1/4 IN-12, 4 IN LONG
1,2	32	41B537660P22	24	WASHER, FLAT, 1.313 IN ID, 2.500 IN OD
2	33	41C636243G2	2	CABLE ASSEMBLY
2	34	8842961G1	3	CABLE ASSEMBLY
2	35	41B531137G10	1	CABLE ASSEMBLY
2	36	41B531137G7	1	CABLE ASSEMBLY
2	37	41C637562G2	1	CABLE ASSEMBLY
2	38	41C637562G1	1	CABLE ASSEMBLY
2	39	41C637261G1	1	CONNECTION STRAP, INSULATED
2	40	41C637261G5	1	CONNECTION STRAP, INSULATED
2	41	41C637261G2	1	CONNECTION STRAP, INSULATED
2	42	41D735504G7	1	SHUNT ASSEMBLY

* ADDED OR CHANGED SINCE LAST ISSUE.

FIG. NO.	REF. NO.	PART NO.	QUANT REQ. COL. A	DESCRIPTION
2	43	41D735504G6	1	SHUNT ASSEMBLY
2	44	481A539P32	2	CABLE BUSHING, 1 7/32 IN ID, RUBBER
2	45	41A216775P1	AR	SEALANT, 1/8 BY 3 3/4 IN, 10 FT ROLL
2	46	N22P33028	1	BOLT, HEX HD, 5/8 IN-11, 1 3/4 IN LONG
2	47	N22P33024	1	BOLT, HEX HD, 5/8 IN-11, 1 1/2 IN LONG
2	48	N405P47B13	2	LOCKWASHER, 5/8 IN
2	49	N213P33	2	NUT, HEX, JAM, 5/8 IN-11
2	50	N22P27028B13	2	BOLT, HEX HD, 7/16 IN-14, 1 3/4 IN LONG
2	51	N405P44B13	12	LOCKWASHER, 7/16 IN
2	52	4713845P1	1	BOLTING PLATE
2	53	N22P27020B13	10	BOLT, HEX HD, 7/16 IN-14, 1 1/4 IN LONG
2	54	41A230733P4	8	BOLT W/WASHER, SL HX HD, 1/4 IN-20, 1/2 IN LONG
2	55	8809650P1	8	WASHER, CONCAVE, 1/4 IN, SPR STL
2	56	N203P21B13	8	NUT, HEX, 1/4 IN-20
2	57	41A239176P443	AR	SILASTIC PUTTY
2	58	41A239176P133	AR	SILICONE TAPE, 0.015 IN THICK, 1 IN WIDE
2	59	41A239176P18	AR	*TAPE, MICA, 0.005 IN THK, 0.750 IN WIDE
2	60	41A231281P47	7	BRAZING STRIP
2	61	41A239176P399	AR	CORD, 0.073 IN DIA, LINEN
2	62	41A210359P12	2	REDUCING BUSHING, 1 1/2 IN TO 3/4 IN
1	63	41B537963P1	12	CARBON BRUSH
1,2,3	64	41C632667G6	4	BRUSH HOLDER ASSEMBLY
3	65	41B530659G2	12	PRESSURE ARM
3	66	41A231370P2	12	BUSHING, 1.063 IN LONG
3	67	186V831P1	8	SLEEVE
3	68	41A231378P2	4	PIN, 3/8 IN DIA, 6 5/8 IN LONG
3	69	N509P2548	8	PIN, SPRING DOWEL, 1/4 IN DIA, 3 IN LONG
3	70	N509P912	8	PIN, SPRING DOWEL, 3/32 IN DIA, 3/4 IN LONG
3	71	41A230733P7	8	BOLT W/WASHERS, HEX HD SL, 5/16 IN-18, 3/4 IN LONG
3	72	41A231370P6	16	BUSHING, 0.575 IN LONG
3	73	41A330248P1	12	SPRING SEAT
3	74	41A233867G4	12	SPRING SEAT WITH PIN
3	75	41B537844G1	12	SPRING SET ASSEMBLY
3	76	41A233880P1	4	PIN, 7 7/16 IN LONG
3	77	41B535754G28	8	BRUSH HOLDER STUD, MOLDED (0.002 IN OVERSIZE)
3	78	41B535754G29	8	BRUSH HOLDER STUD, MOLDED (0.004 IN OVERSIZE)
3	79	41B535754G30	8	BRUSH HOLDER STUD, MOLDED (0.006 IN OVERSIZE)
3	80	41B535754G31	8	BRUSH HOLDER STUD, MOLDED (0.008 IN OVERSIZE)
1	81	2733755P7	4	BRUSH HOLDER SUPPORT CLAMP
1	82	N22P37052	4	BOLT, HEX HD, 7/8 IN-9, 3 1/4 IN LONG
1	83	41B537660P25	4	WASHER, FLAT, 0.968 IN ID, 1.375 IN OD
1	84	41D735773G1	1	ARMATURE ASSEMBLY

* ADDED OR CHANGED SINCE LAST ISSUE.

DRILLING MOTOR
MODEL 5GE752RB3A

PB-31101-035A
Supersedes PB-31101-035

FIG. NO.	REF. NO.	PART NO.	QUANT REQ. COL. A	DESCRIPTION
1	85	41C636928G1	1	SHAFT WITH PLUG
1	86	84A204808P1	2	*SET SCREW, HEX SOC HD, 3/8 IN-24, SELF-LOCK
1	87	41B537605P4	1	ARMATURE HEAD
1	88	41A239323G1	1	PUNCHING, END
1	89	41A330418G1	1	PUNCHING, END
1	90	41B537164P1	553	PUNCHING, MAIN
1	91	41B537165P1	26	PUNCHING, STEP BACK
1	92	41B537165P2	14	PUNCHING, STEP BACK
1	93	41B537889G2	1	COMMUTATOR, SEASONED
1	94	189V584P1	1	NUT
1	95	41D735370G5	1	ARMATURE REWIND KIT
1	96	41B537080P1	1	=TEFLON BAND (CONTINUOUS)
1	97	41A330208P10	AR	WIRE, 0.072 IN DIA
1	98	41A239176P64	AR	GLASS TAPE, 0.014 IN THICK, 3/4 IN WIDE
1	99	41A239176P62	AR	GLASS TAPE, 0.014 IN THICK, 3/8 IN WIDE
1	100	41A232821P1	1	SLEEVE
1	101	2766829ADP24	AR	#BALANCE WEIGHT, 13 IN OD
1	102	2766829ADP26	AR	#BALANCE WEIGHT, 14 3/4 IN OD
1	103	493A204G1	1	INSPECTION COVER, TOP
1	104	493A204P3	2	GASKET, NEOPRENE, 0.250 X 0.750 X 9 3/4 IN LONG
1	105	493A204P4	2	GASKET, NEOPRENE, 0.250 X 0.750 X 11 IN LONG
1	106	497A806P57	AR	*CEMENT
1	107	41D732878G4	1	*INSPECTION COVER, LOWER
1	108	41D732878P7	2	*GASKET, 9/16 IN X 11 9/32 IN LONG, 1/4 IN THK
1	109	41D732878P8	2	*GASKET, 9/16 IN X 9 1/2 IN LONG, 1/4 IN THK
1	110	497A806P57	AR	*CEMENT
1	111	41A239914G1	1	INSPECTION COVER, HAND HOLE
1	112	41A239914P2	2	GASKET, 9 1/4 IN LONG, 1/4 IN THICK
1	113	41A239914P3	2	GASKET, 8 1/8 IN LONG, 1/4 IN THICK
1	114	497A806P57	AR	*CEMENT
1	115	N22P29016B13	12	BOLT, HEX HD, 1/2 IN-13, 1 IN LONG
1	116	N405P45B13	12	LOCKWASHER, 1/2 IN
		N5700P63	4	PIPE PLUG, 3/4 IN, CSK SQ HD
1	118	41A239663P2	4	PLUG
		493A471P1	1	*HUB, 9.120 IN OD, POWER TAKE-OFF

* ADDED OR CHANGED SINCE LAST ISSUE.

WELD OR BRAZE IN POSITION.

= ADDITIONAL MATERIAL IS REQUIRED TO INSTALL THE CONTINUOUS LOOP TEFLON BAND. SEE APPLICATION INSTRUCTIONS, GEK-76278.

- END OF PARTS BULLETIN -

PB-31101-035A
Supersedes PB-31101-035

DRILLING MOTOR
MODEL 5GE752RB3A

Free Manuals Download Website

<http://myh66.com>

<http://usermanuals.us>

<http://www.somanuals.com>

<http://www.4manuals.cc>

<http://www.manual-lib.com>

<http://www.404manual.com>

<http://www.luxmanual.com>

<http://aubethermostatmanual.com>

Golf course search by state

<http://golfingnear.com>

Email search by domain

<http://emailbydomain.com>

Auto manuals search

<http://auto.somanuals.com>

TV manuals search

<http://tv.somanuals.com>