

JGBP28SEK

GE® 30" Free-Standing Self-Clean Gas Range

Dimensions and Installation Information (in inches)

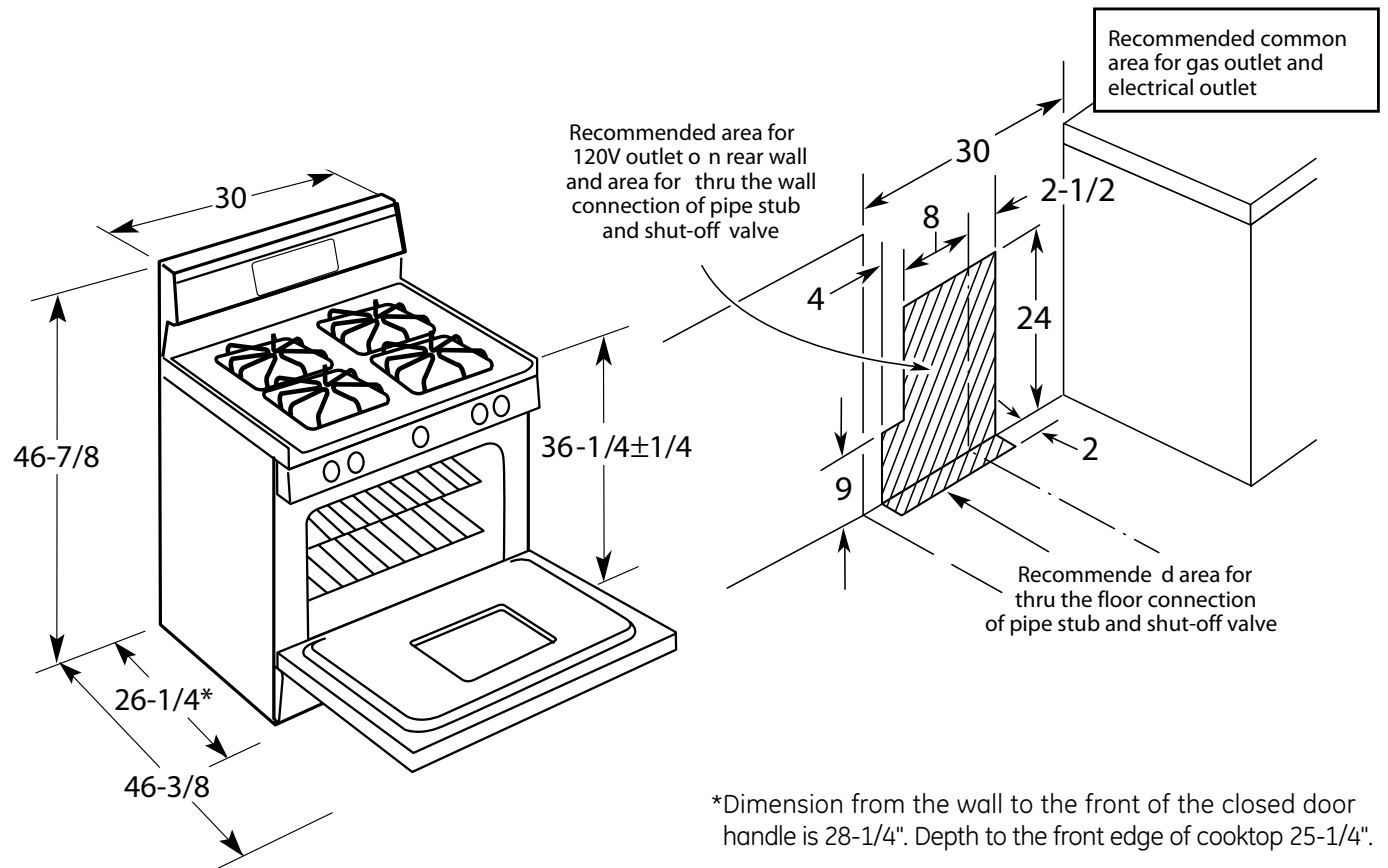
Optional Gas Range Accessory Drip Pans for Sealed and Standard Burner Models

(Available at additional cost)
To order these accessory drip pans, call toll-free 800-626-2002

Gas Self-Clean Range Anti-Tip Bracket (Part No. 205C1714P001)

Electrical Rating: 120V, 60Hz, 5A

Installation Information: Before installing, consult installation instructions packed with product for current dimensional data.



*Dimension from the wall to the front of the closed door handle is 28-1/4". Depth to the front edge of cooktop 25-1/4".

For answers to your Monogram®, GE Profile™ or GE® appliance questions, visit our website at ge.com or call GE Answer Center® service, 800.626.2000.



All GE ranges are equipped with an Anti-Tip device. The installation of this device is an important, required step in the installation of the range.



Specification Created 6/05

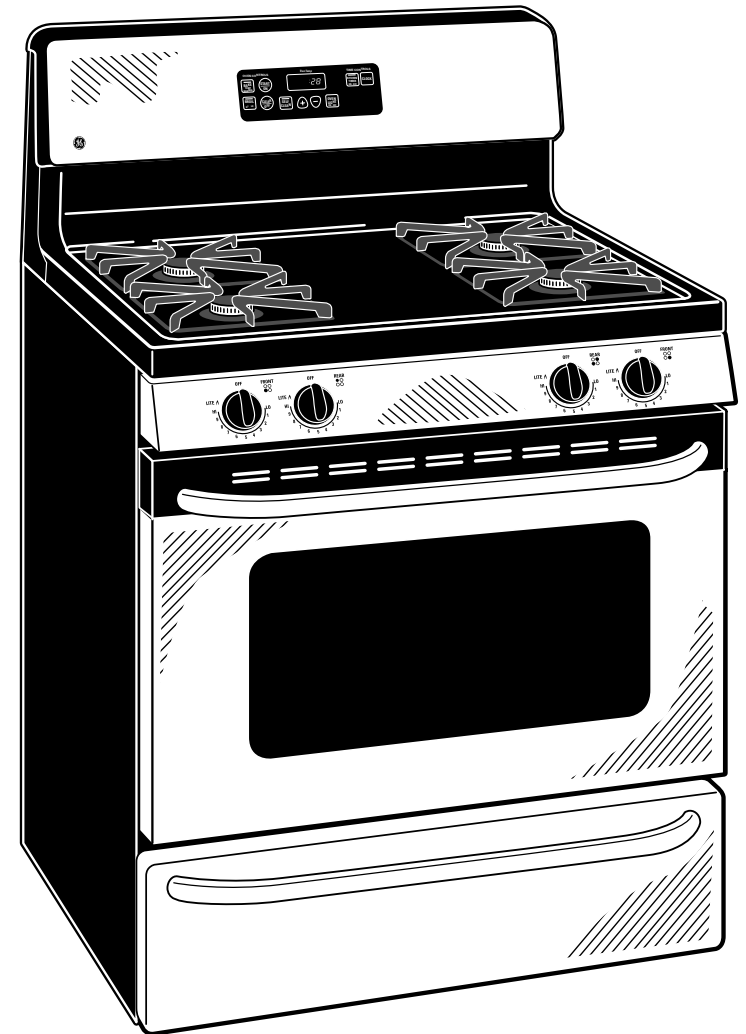
330429

JGBP28SEK

GE® 30" Free-Standing Self-Clean Gas Range

Features and Benefits

- Self Clean Oven – Conveniently cleans the oven cavity without the need of scrubbing
- Extra-Large Oven Capacity – Provides a large oven interior ideal for cooking more items at once
- TrueTemp™ System – Delivers even heat distribution and maximum oven control
- QuickSet III Oven Controls – Feature an easy to use design that allows you to set precise cooking temperatures
- All Purpose Burners – Deliver a wide range of heat output ideal for most cooking requirements
- Sealed Cooktop Burners – Eliminate the space between the burners and the cooktop to help contain spills and boil over liquids, ensuring easy cleanup
- Deluxe Grates – Provide a sturdy and convenient cookware surface for everyday cooking
- Big ClearView™ Window – An extra large clear window makes monitoring the progress of food easy
- Two Oven Racks – Features a durable construction to help accommodate any size or type of cookware
- Model JGBP28SEKSS - Stainless steel (Stainless steel door and control panel and black cooktop)



imagination at work

Free Manuals Download Website

<http://myh66.com>

<http://usermanuals.us>

<http://www.somanuals.com>

<http://www.4manuals.cc>

<http://www.manual-lib.com>

<http://www.404manual.com>

<http://www.luxmanual.com>

<http://aubethermostatmanual.com>

Golf course search by state

<http://golfingnear.com>

Email search by domain

<http://emailbydomain.com>

Auto manuals search

<http://auto.somanuals.com>

TV manuals search

<http://tv.somanuals.com>