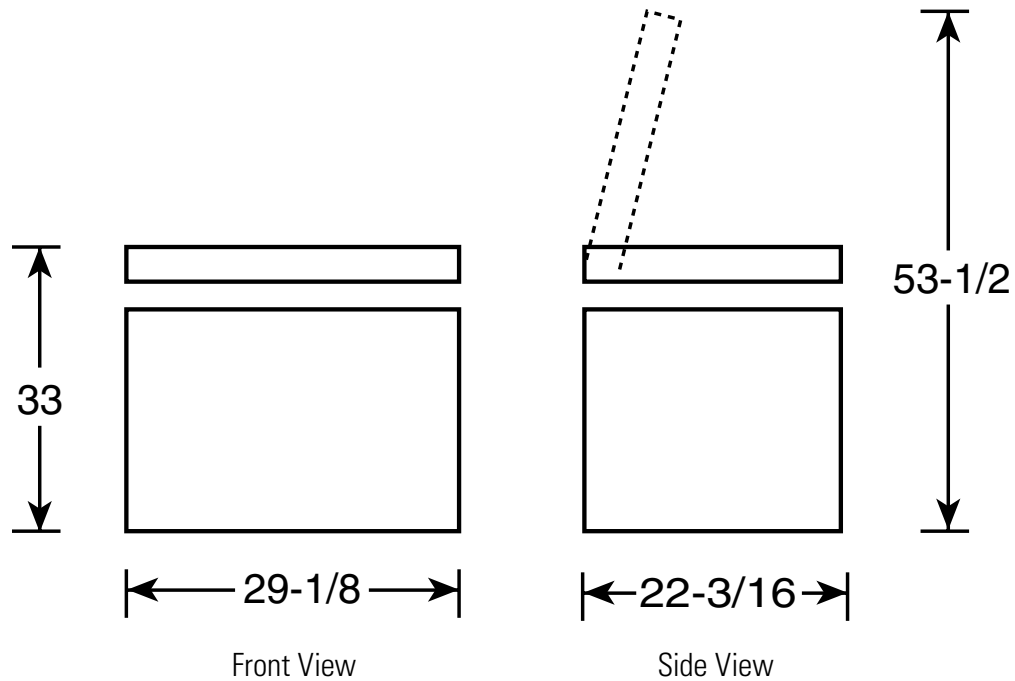




GE Appliances

FCM5DM – GE® Chest Freezer

Dimensions (in inches)

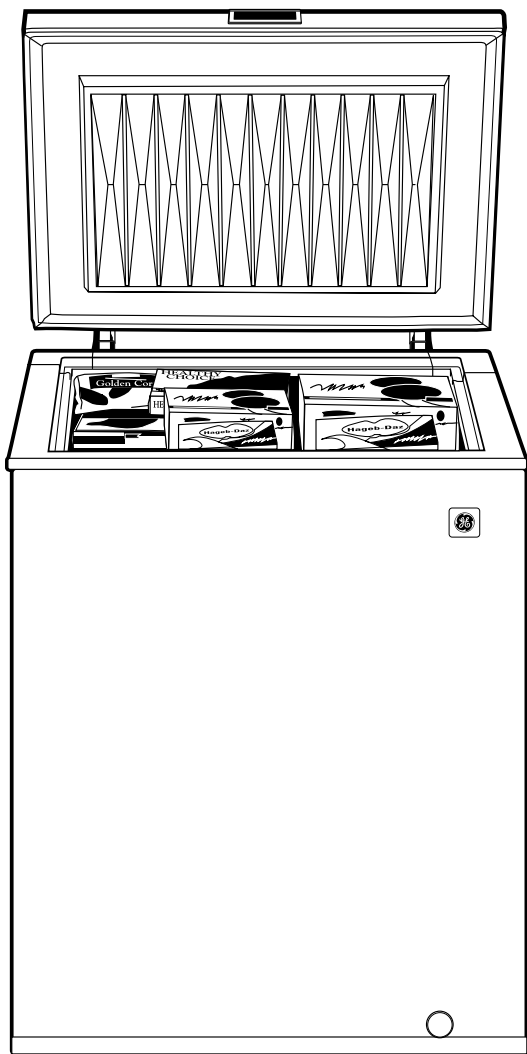


Air Clearances	
Each side (in.)	3
Back (in.)	3



GE Appliances

FCM5DM – GE® Chest Freezer



Features and Benefits

- 5.0 cu. ft. Capacity
- Manual Defrost
- Fast Freeze
- Temperature Monitor with Audible Alarm
- 2 Lift-Out and Sliding Bulk Storage Baskets
- Adjustable Temperature Control
- Defrost Water Drain
- Limited Food Loss Warranty
- Wrap-Around Condenser and Evaporator
- Model FCM5DMWH – White

Specification Revised 3/04

311150

Free Manuals Download Website

<http://myh66.com>

<http://usermanuals.us>

<http://www.somanuals.com>

<http://www.4manuals.cc>

<http://www.manual-lib.com>

<http://www.404manual.com>

<http://www.luxmanual.com>

<http://aubethermostatmanual.com>

Golf course search by state

<http://golfingnear.com>

Email search by domain

<http://emailbydomain.com>

Auto manuals search

<http://auto.somanuals.com>

TV manuals search

<http://tv.somanuals.com>