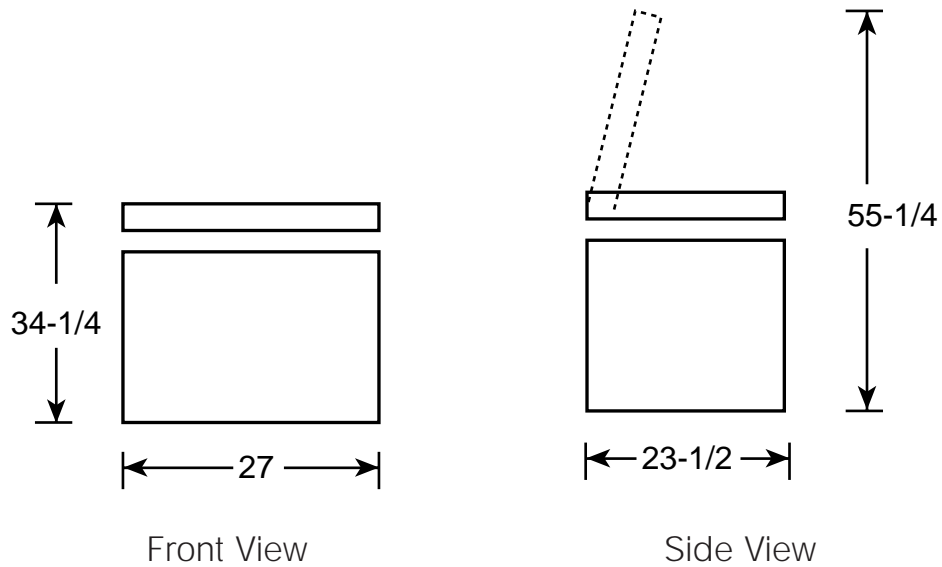




GE Appliances

FCM5SAWH—Chest Freezer

Dimensions (in inches)



Air Clearances	
Each side (in.)	3
Back (in.)	3

For answers to your Monogram®,
GE Profile Performance Series™,
GE Profile™ or GE appliance questions, call
GE Answer Center® service, 800.626.2000.



Total volume and shelf
area are calculated by the
Association of Home
Appliance Manufacturers'
standards.



Listed by
Underwriters
Laboratories



GE Appliances

FCM5SAWH—Chest Freezer

Features and Benefits

- 5.0 cu. ft. Capacity
- Manual Defrost
- Adjustable Temperature Control
- Model FCM5SAWH—White

Free Manuals Download Website

<http://myh66.com>

<http://usermanuals.us>

<http://www.somanuals.com>

<http://www.4manuals.cc>

<http://www.manual-lib.com>

<http://www.404manual.com>

<http://www.luxmanual.com>

<http://aubethermostatmanual.com>

Golf course search by state

<http://golfingnear.com>

Email search by domain

<http://emailbydomain.com>

Auto manuals search

<http://auto.somanuals.com>

TV manuals search

<http://tv.somanuals.com>