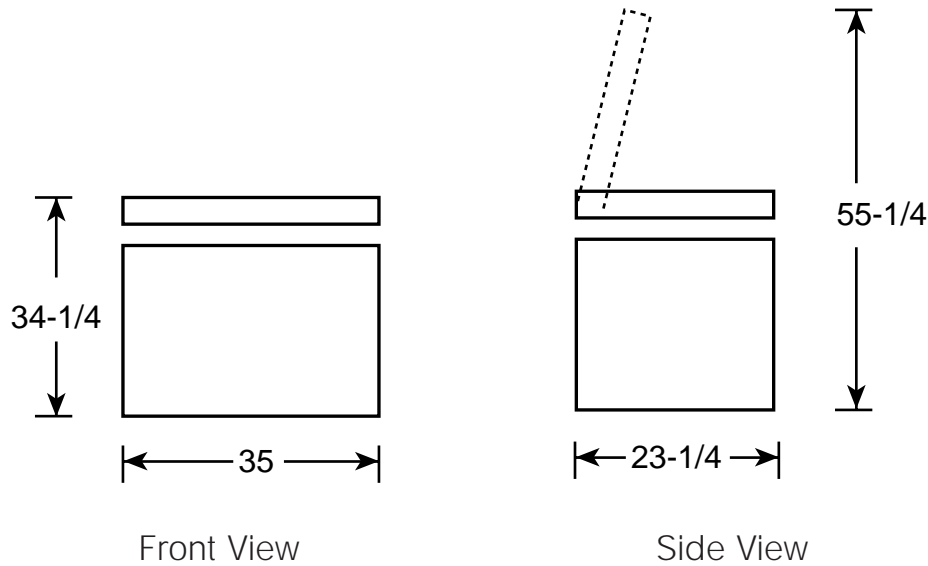




GE Appliances

## FCM7DAWH—GE Chest Freezer

Dimensions (in inches)



Air Clearances	
Each side (in.)	3
Back (in.)	3

Revised 8/98

For answers to your Monogram®,  
GE Profile Performance Series™,  
GE Profile™ or GE appliance questions, call  
GE Answer Center® service, 800.626.2000.



Total volume and shelf  
area are calculated by the  
Association of Home  
Appliance Manufacturers'  
standards.

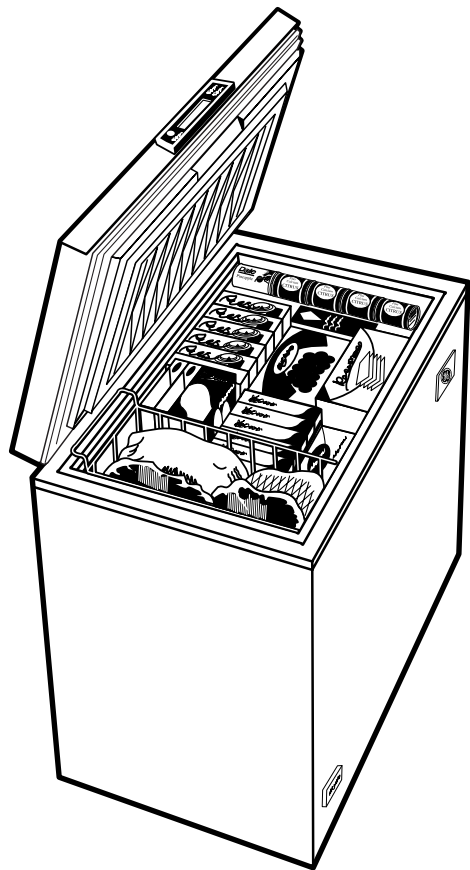


Listed by  
Underwriters  
Laboratories



GE Appliances

## FCM7DAWH—Chest Freezer



### Features and Benefits

- 7.2 cu. ft. Capacity
- Manual Defrost
- Removable Sliding Bulk Storage Basket
- Adjustable Temperature Control
- Defrost Drain
- Limited Food Loss Warranty
- Model FCM7DAWH—White

Revised 8/98

## Free Manuals Download Website

<http://myh66.com>

<http://usermanuals.us>

<http://www.somanuals.com>

<http://www.4manuals.cc>

<http://www.manual-lib.com>

<http://www.404manual.com>

<http://www.luxmanual.com>

<http://aubethermostatmanual.com>

Golf course search by state

<http://golfingnear.com>

Email search by domain

<http://emailbydomain.com>

Auto manuals search

<http://auto.somanuals.com>

TV manuals search

<http://tv.somanuals.com>