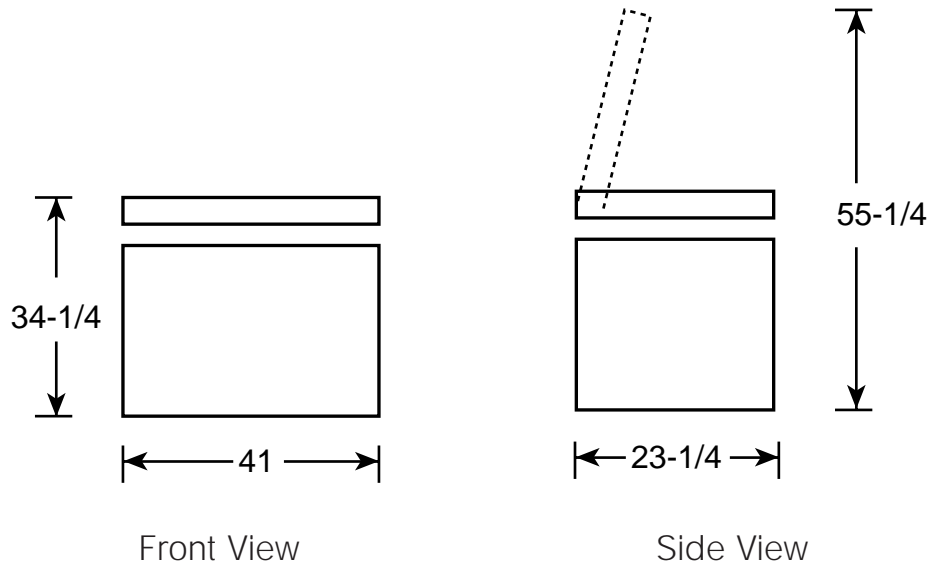




GE Appliances

FCM9DAWH—Chest Freezer

Dimensions (in inches)



Air Clearances	
Each side (in.)	3
Back (in.)	3



Total volume and shelf area are calculated by the Association of Home Appliance Manufacturers' standards.



Listed by Underwriters Laboratories



GE Appliances

FCM9DAWH—Chest Freezer

Features and Benefits

- 8.8 cu. ft. Capacity
- Manual Defrost
- Removable Sliding Bulk Storage Basket
- Adjustable Temperature Control
- Defrost Drain
- Interior Light
- Limited Food Loss Warranty
- Model FCM9DAWH—White

Free Manuals Download Website

<http://myh66.com>

<http://usermanuals.us>

<http://www.somanuals.com>

<http://www.4manuals.cc>

<http://www.manual-lib.com>

<http://www.404manual.com>

<http://www.luxmanual.com>

<http://aubethermostatmanual.com>

Golf course search by state

<http://golfingnear.com>

Email search by domain

<http://emailbydomain.com>

Auto manuals search

<http://auto.somanuals.com>

TV manuals search

<http://tv.somanuals.com>