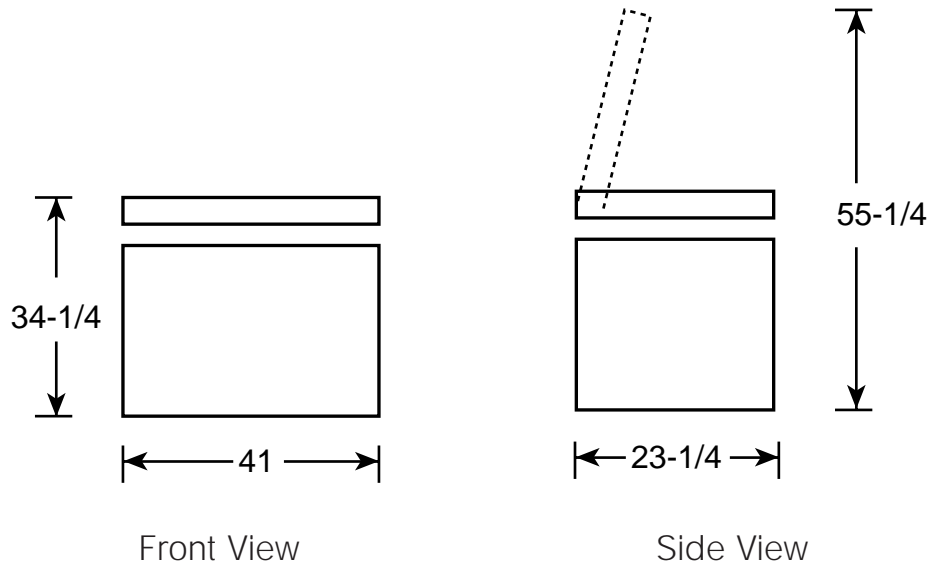




GE Appliances

## FCM9SAWH—Chest Freezer

Dimensions (in inches)



Air Clearances	
Each side (in.)	3
Back (in.)	3

For answers to your Monogram®,  
 GE Profile Performance Series™,  
 GE Profile™ or GE appliance questions, call  
 GE Answer Center® service, 800.626.2000.



Total volume and shelf  
 area are calculated by the  
 Association of Home  
 Appliance Manufacturers'  
 standards.



Listed by  
 Underwriters  
 Laboratories



*GE Appliances*

---

## **FCM9SAWH—Chest Freezer**

### **Features and Benefits**

- 8.8 cu. ft. Capacity
- Manual Defrost
- Adjustable Temperature Control
- Defrost Drain
- Limited Food Loss Warranty
- Model FCM9SAWH—White

## Free Manuals Download Website

<http://myh66.com>

<http://usermanuals.us>

<http://www.somanuals.com>

<http://www.4manuals.cc>

<http://www.manual-lib.com>

<http://www.404manual.com>

<http://www.luxmanual.com>

<http://aubethermostatmanual.com>

Golf course search by state

<http://golfingnear.com>

Email search by domain

<http://emailbydomain.com>

Auto manuals search

<http://auto.somanuals.com>

TV manuals search

<http://tv.somanuals.com>