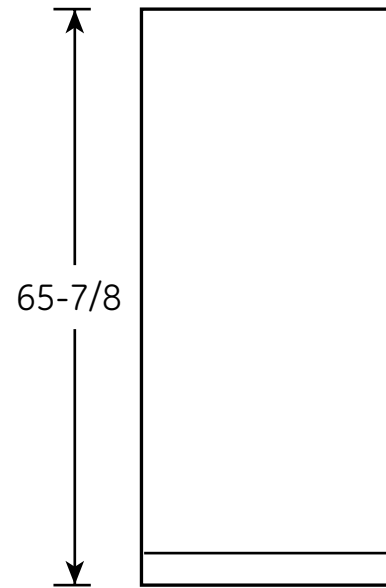


# FUF17SVR

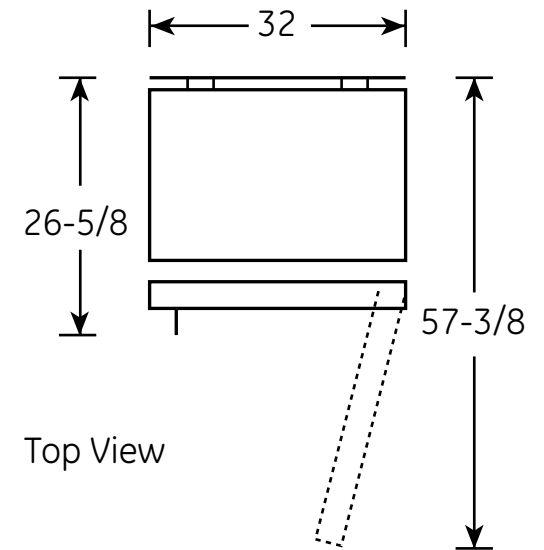
## GE® 16.7 Cu. Ft. Frost-Free Upright Freezer

### Dimensions and Installation Information (in inches)

Air Clearance	
Each side (in.)	3
Top (in.)	3
Back (in.)	3



Front View



Top View

For answers to your Monogram®, GE Profile™ or GE® appliance questions, visit our website at [ge.com](http://ge.com) or call GE Answer Center® service, 800.626.2000.

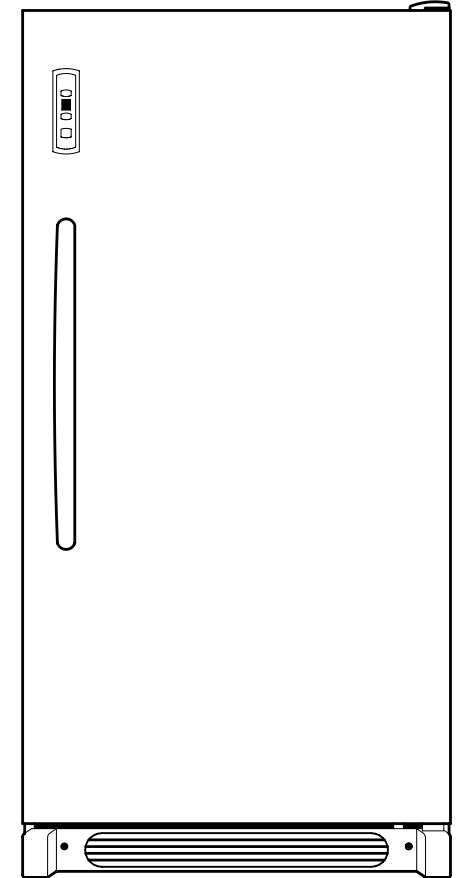


# FUF17SVR

## GE® 16.7 Cu. Ft. Frost-Free Upright Freezer

### Features and Benefits

- 16.7 cu. ft. Capacity
- Frost-Free
- High-Gloss Handle
- Electronic Temperature Control on Door
- 4 Cabinet Shelves
- 5 Freezer Door Shelves
- 1 Sliding Bulk Storage Basket
- Lock
- Interior Light
- Book-Ends Organizer (2)
- Model FUF17SVRWW – White



For answers to your Monogram®, GE Profile™ or GE® appliance questions, visit our website at [ge.com](http://ge.com) or call GE Answer Center® service, 800.626.2000.



imagination at work



Listed by  
Underwriters  
Laboratories

Specification Created 8/08

311095

## Free Manuals Download Website

<http://myh66.com>

<http://usermanuals.us>

<http://www.somanuals.com>

<http://www.4manuals.cc>

<http://www.manual-lib.com>

<http://www.404manual.com>

<http://www.luxmanual.com>

<http://aubethermostatmanual.com>

Golf course search by state

<http://golfingnear.com>

Email search by domain

<http://emailbydomain.com>

Auto manuals search

<http://auto.somanuals.com>

TV manuals search

<http://tv.somanuals.com>