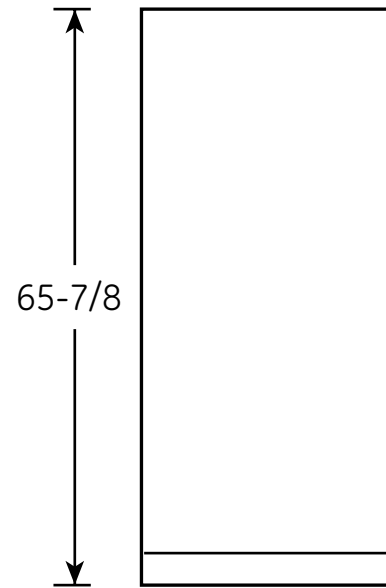


# FUM17SVR

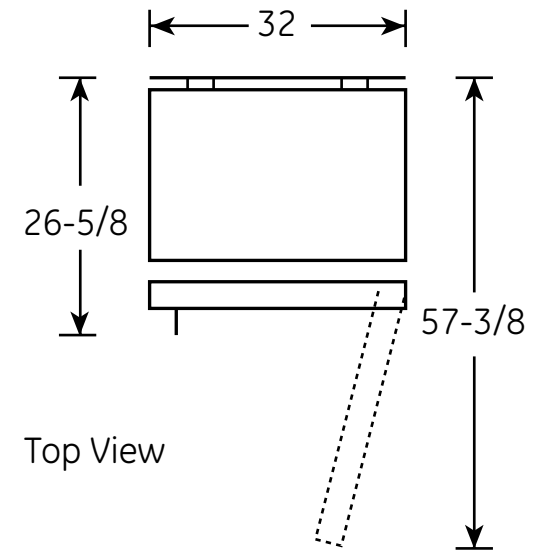
## GE® 17.1 Cu. Ft. Manual Defrost Upright Freezer

### Dimensions and Installation Information (in inches)

Air Clearance	
Each side (in.)	3
Top (in.)	3
Back (in.)	3



Front View



For answers to your Monogram,® GE Profile™ or GE® appliance questions, visit our website at [ge.com](http://ge.com) or call GE Answer Center® service, 800.626.2000.



imagination at work



Listed by  
Underwriters  
Laboratories

Specification Created 8/08

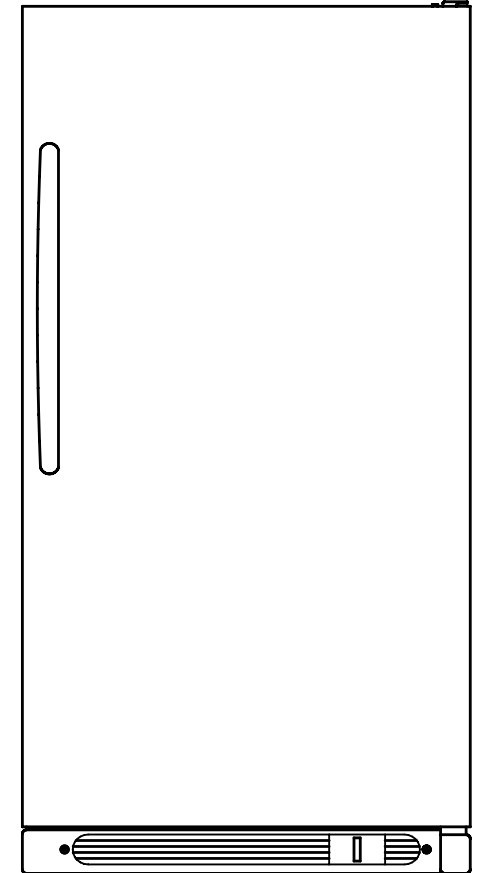
311097

# FUM17SVR

## GE® 17.1 Cu. Ft. Manual Defrost Upright Freezer

### Features and Benefits

- 17.1 cu. ft. Capacity
- Manual Defrost
- High-Gloss Handle
- 3 Cabinet Shelves
- 4 Adjustable Bins (1/2 Width)
- 1 Sliding Bulk Storage Basket
- Tip-Out Door Storage
- Lock
- Power "On" Light
- Soft Freeze Zone
- Model FUM17SVRWW – White



For answers to your Monogram,® GE Profile™ or GE® appliance questions, visit our website at [ge.com](http://ge.com) or call GE Answer Center® service, 800.626.2000.



imagination at work



Specification Created 8/08

311097

## Free Manuals Download Website

<http://myh66.com>

<http://usermanuals.us>

<http://www.somanuals.com>

<http://www.4manuals.cc>

<http://www.manual-lib.com>

<http://www.404manual.com>

<http://www.luxmanual.com>

<http://aubethermostatmanual.com>

Golf course search by state

<http://golfingnear.com>

Email search by domain

<http://emailbydomain.com>

Auto manuals search

<http://auto.somanuals.com>

TV manuals search

<http://tv.somanuals.com>