

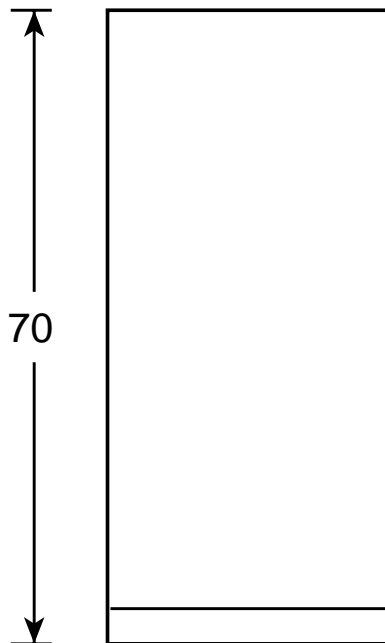


**GE Appliances**

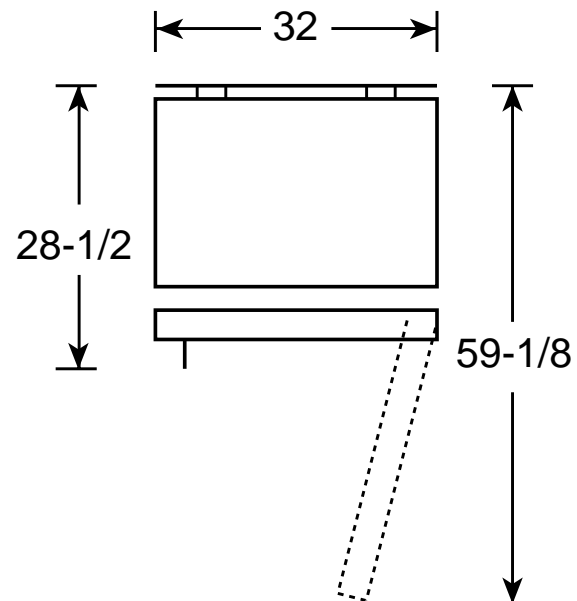
## FUM21DP – GE® Manual Defrost Upright Freezer

**Dimensions (in inches)**

Front View



Top View



Air Clearances	
Each side (in.)	3
Top (in.)	3
Back (in.)	3

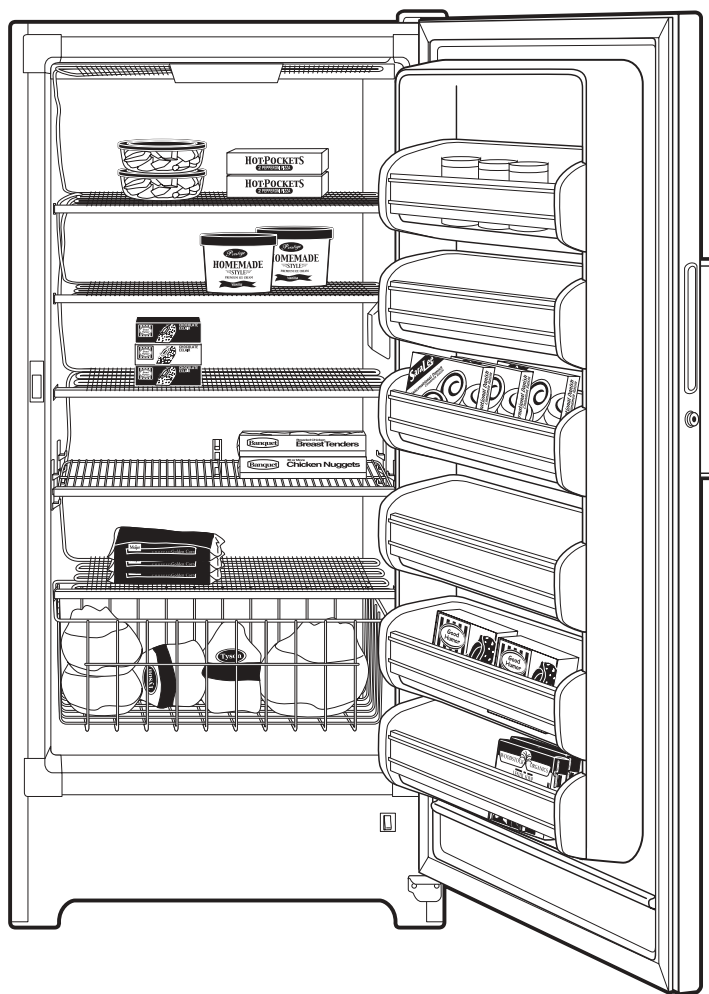
Specification Created 6/03

For answers to your Monogram®, GE Profile™ or GE® appliance questions, visit our website at [GEAppliances.com](http://GEAppliances.com) or call GE Answer Center® service, 800.626.2000.



**GE Appliances**

## **FUM21DP – GE® Manual Defrost Upright Freezer**



### **Features and Benefits**

- 20.6 cu. ft. Capacity
- Interior Light
- 5 Cabinet Shelves (1 Adjustable)
- 6 Door Shelves (2 Juice Shelves)
- Adjustable Temperature Control
- Defrost Water Drain
- Wrap-Around Condenser and Evaporator
- Limited Food Loss Warranty
- Model FUM21DPRWH – White

**Specification Created 6/03**

## Free Manuals Download Website

<http://myh66.com>

<http://usermanuals.us>

<http://www.somanuals.com>

<http://www.4manuals.cc>

<http://www.manual-lib.com>

<http://www.404manual.com>

<http://www.luxmanual.com>

<http://aubethermostatmanual.com>

Golf course search by state

<http://golfingnear.com>

Email search by domain

<http://emailbydomain.com>

Auto manuals search

<http://auto.somanuals.com>

TV manuals search

<http://tv.somanuals.com>