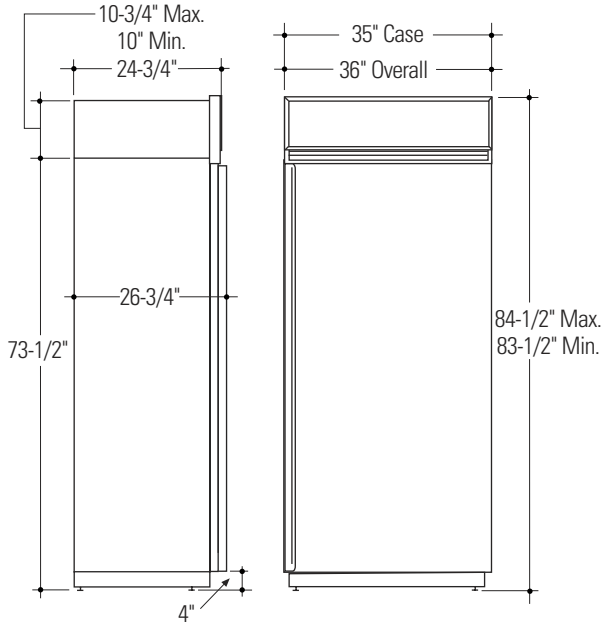




**Monogram.**

## ZIF36NM – GE Monogram 36" Built-In All-Freezer

### Enclosure Cutout and Product Dimensions (in inches)



#### ZIF36NMRH, Freezer

Handle on the left side, the door swings left to right.

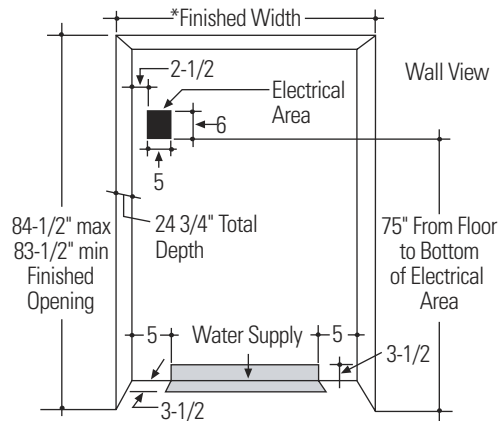
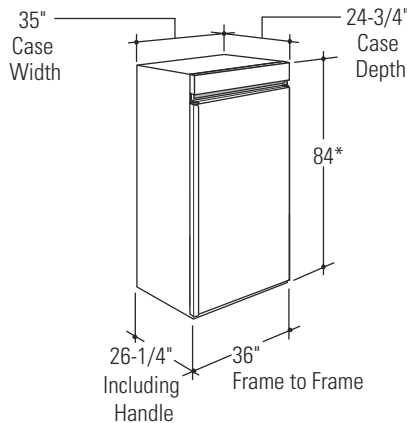
#### ZIF36NMLH, Freezer

Handle on the right side, the door swings right to left.

## Caution

Refrigerators are much heavier at the top than at the bottom – be extra careful when moving.

- To achieve a flush fit, the finished cutout width must be at least 36" wide.
- In a semi-flush installation, the finished cutout must be 35-1/2".
- The electrical and water locations must be located as shown for either type of installation.



\*36" for a flush installation.

35-1/2" Min. for a semi-flush installation.

Note: Additional cutout width may be required when side panels are used. Add side panel thickness to the finished cutout to calculate rough-in width. See installation examples.

\*Shipped at 84" installation height. Can be adjusted to 83-1/2" or 84-1/2" with Grille Panel Kits.

**Specification Revised 4/05  
110156**



Listed by  
Underwriters  
Laboratories

For answers to your Monogram,® GE Profile™ or GE appliance questions, visit our website at [GEAppliances.com](http://GEAppliances.com) or call GE Answer Center® service, 800.626.2000.



**Monogram**

## ZIF36NM – GE Monogram 36" Built-In All-Freezer

### 1/4" Accessory Panels:

Factory trim accepts accessory panel kits. Panels are cut to size and ready to install. Kits must be ordered separately.

Models	White Lexan®	Black Lexan®	Stainless Steel
ZIR36/ZIF36	ZVWR36	ZWBR36	ZWSR36

### Door Handles – To match or complement cabinetry!

**ZKHR1** – Provides the necessary framework to install a custom handle of your choice, onto a 1/4" thick custom panel. (Handle not included.)

**ZKHTR1** – Provides the necessary framework to install a custom handle of your choice, onto a 3/4" thick custom panel. (Handle not included.) This kit must be used in combination with ZKTR36LH or ZKTR36RH.

**ZKHRSS1** – Tubular stainless steel handle for 1/4" thick panel installation.

**ZKHTRSS1** – Tubular stainless steel handle for 3/4" thick panel installation. This kit must be used in combination with ZKTR36LH or ZKTR36RH.

### Custom Panels – Match the cabinetry!

**ZKTR36LH** for ZIR36NMLH, ZIF36NMLH  
**ZKTR36RH** for ZIR36NMRH, ZIF36NMRH

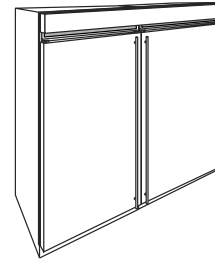
Provides for the installation of 3/4" thick custom door and grille panels. Use this kit for a trimless appearance. This kit provides a standard handle to fit the 3/4" panel.

### Grille Panel – For installation height adjustments!

**ZGC2** – Provides 1/4" grille panel frame side pieces for 83-1/2" and 84-1/2" installation heights. The supplied grille panel frame is set for 84".

### Side-by-Side Installation

**ZUG75 Trim Kit** – For side-by-side installation of two trimmed units. This kit provides for the installation of a unified 3/4" grille panel to span the width of two units. This kit contains a trim strip to cover the inside case trim for a finished appearance. This kit must be used in combination with BOTH the ZKTR36LH and ZKTR36RH kits.

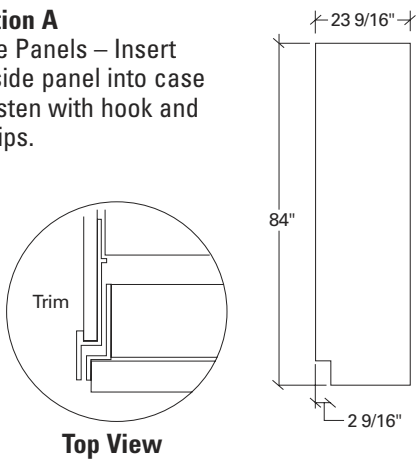


- Side panels are required whenever the sides of the product will be exposed and when installed between frameless cabinets.
- Side panels are not required when installed into an enclosure.
- Side panel installation will be determined by the design of the side panel you have previously chosen.
- Side panels must be installed plumb.

- If you choose to use 1/4" side panels, they should be inserted into the case trim as illustrated. Fasten the panels to the product with stick-on hook and loop fastener strips (not provided) before setting in place. See illustration A.
- 1/2" to 3/4" side panels are normally set into place and fastened to adjacent cabinetry or the back wall before rolling the product into the opening. See illustration B.

### Illustration A

1/4" Side Panels – Insert end of side panel into case trim. Fasten with hook and loop strips.

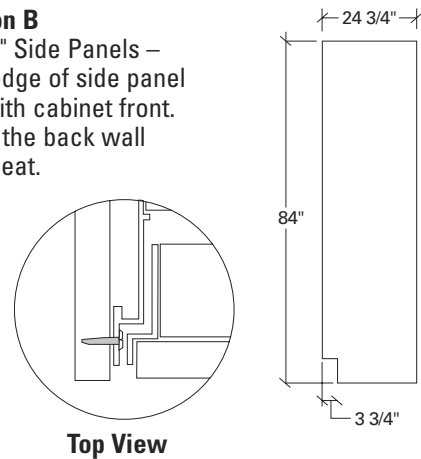


Top View

Standard 4" high toe-kick or trim to fit.  
Height may vary depending on application.

### Illustration B

1/2" to 3/4" Side Panels – Leading edge of side panel is flush with cabinet front. Fasten to the back wall using a cleat.



Top View

Standard 4" high toe-kick or trim to fit.  
Height may vary depending on application.

Specification Revised 4/05  
110156



Listed by  
Underwriters  
Laboratories

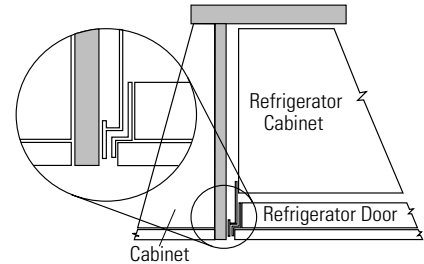
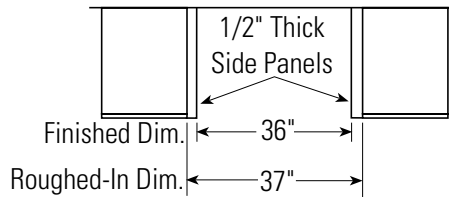
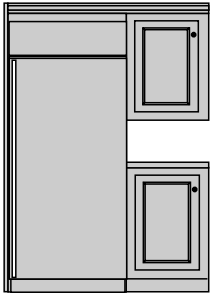
For answers to your Monogram,® GE Profile™ or GE appliance questions, visit our website at [GEAppliances.com](http://GEAppliances.com) or call GE Answer Center® service, 800.626.2000.



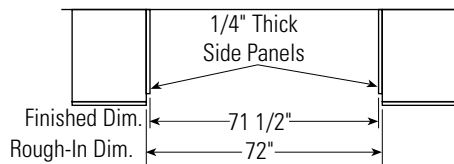
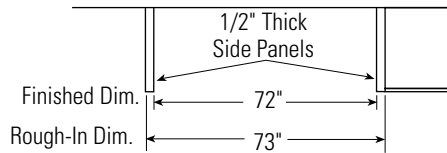
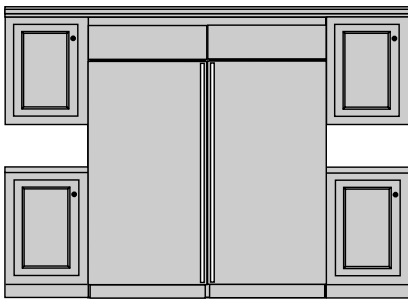
**Monogram**

## ZIF36NM – GE Monogram 36" Built-In All-Freezer

### Installation at End of Run

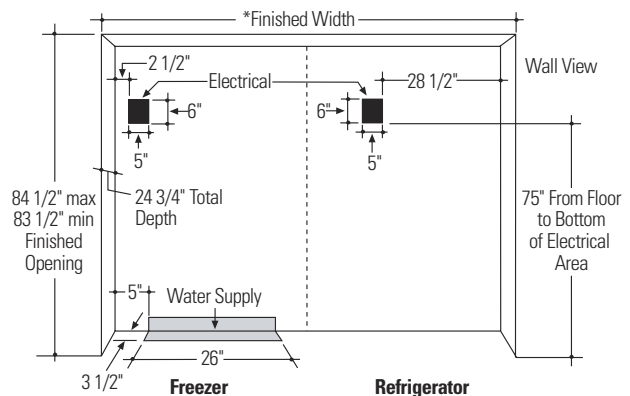
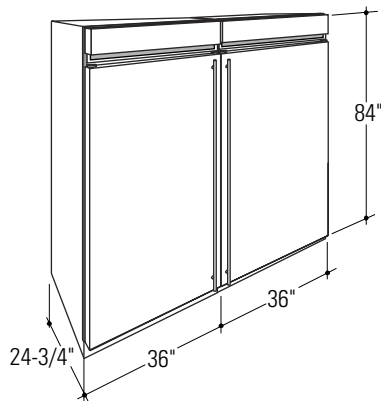


Note: 1/2" thick side panels shown. Side panels can be any thickness. Add side panel thickness to outside trim width (36" or 72" for two models) to calculate the rough-in dimension. The leading (front) edge must be finished to match surrounding cabinetry.



### Refrigerator and Freezer installed side-by-side

### Side-By-Side Installation of Freezer and Refrigerator



\*72" min. for a flush installation  
 71-1/2" min. for a semi-flush installation

Note: Additional cutout width may be required when side panels are used. Add side panel thickness to the finished cutout to calculate rough-in width.

For a complete food storage center, install a Monogram Freezer and Refrigerator side-by-side. For even more capacity, install two refrigerators and/or two freezers.

- Order ZUG75 Unified Grille Panel Kit for one continuous 3/4" custom grille panel.
- The electrical and water locations must be located as shown for either type of installation. A separate 115V, 60Hz., 20 amp power supply is recommended for each product.

Specification Revised 4/05  
 110156



Listed by Underwriters Laboratories

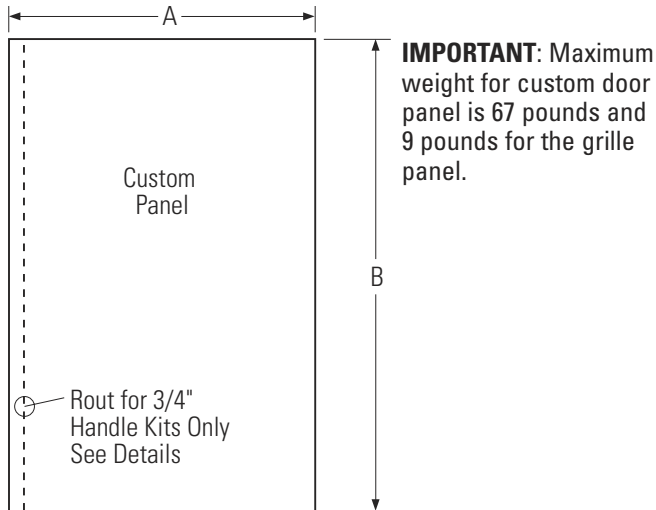
For answers to your Monogram<sup>®</sup> GE Profile<sup>™</sup> or GE appliance questions, visit our website at [GEAppliances.com](http://GEAppliances.com) or call GE Answer Center<sup>®</sup> service, 800.626.2000.



**Monogram**

## ZIF36NM – GE Monogram 36" Built-In All-Freezer

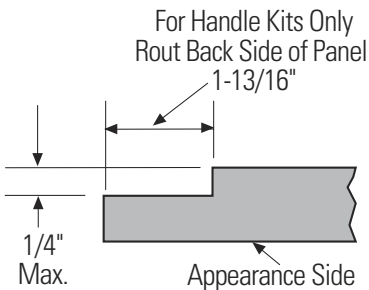
### Custom Panel Dimensions



#### CUSTOM DOOR PANEL SIZES

SIZES	A	B
1/4" Panels	35-1/16"	68-7/8"
3/4" Panels	35-1/16"	68-15/16"
3/4" Panels (custom handles)	35-1/4"	68-15/16"

### Routing Detail



Route the panel when installing a ZKHTR1 Custom Handle Kit or ZKHTRSS1, Tubular Stainless Steel Handle Kit.

### Custom Grille Panel Dimensions



#### 1/4" THICK CUSTOM GRILLE PANEL

Panel Width	Panel Height to Fit Installation Height		
	83-1/2"	84"	84-1/2"
35-1/8"	7-1/2"	8"	8-1/2"

Note: The grille panel frame is factory assembled for 84" installation height. Order ZGC2 Grille Panel Kit when installation height is more or less than 84".

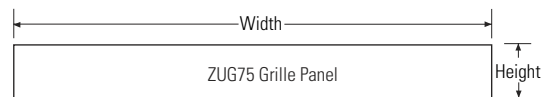
#### 3/4" THICK CUSTOM GRILLE PANEL Requires ZKTR36 Trim Kit

Panel Width	Panel Height to Fit Installation Height		
	83-1/2"	84"	84-1/2"
35-1/4"	7-3/4"	8-1/4"	8-3/4"

Note: A grille panel support is included with the ZKTR36 trim kit and fits all installation heights.

### ZUG75 Grille Panel Dimensions

This Grille Panel Kit should be used in combination with ZKTR36H and ZKTR36RH, 3/4" panel kits.



#### 3/4" THICK CUSTOM GRILLE PANEL Requires ZUG75 Trim Kit

Panel Width	Panel Height to Fit Installation Height		
	83-1/2"	84"	84-1/2"
71-3/8"	7-3/4"	8-1/4"	8-3/4"

Specification Revised 4/05  
110156



Listed by  
Underwriters  
Laboratories

For answers to your Monogram,® GE Profile™ or GE appliance questions, visit our website at [GEAppliances.com](http://GEAppliances.com) or call GE Answer Center® service, 800.626.2000.



**Monogram.**

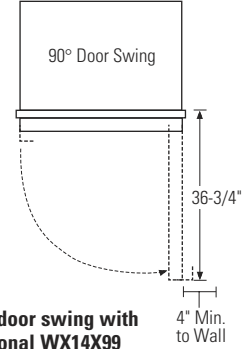
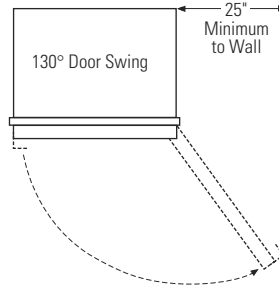
## ZIF36NM – GE Monogram 36" Built-In All-Freezer

### Clearances

- Factory set for a 130° door swing. Order WX14X99 adjustable door stop to reduce swing to as little as 90°.

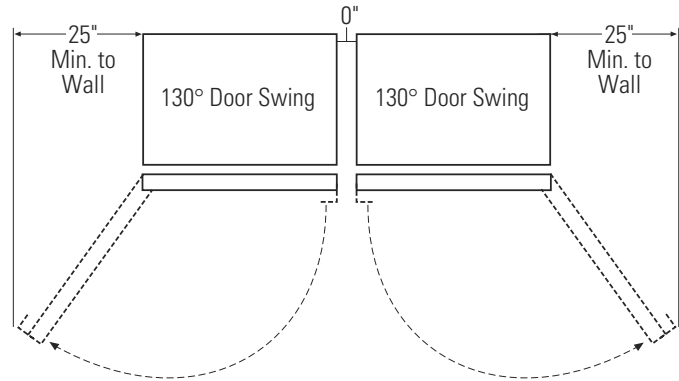
### When Installed into a corner:

Allow 25" for a full 130° door swing. Allow 15" for pan removal. Allow 4" min. clearance when door swing is adjusted to a 90° opening for pan access, but pan removal is restricted.



**90° door swing with optional WX14X99 door stop.**

When installing an All-Refrigerator and All-Freezer side-by-side, allow 25" for a full 130° door swing, or 15" min. on the hinge sides for pan access.



ZUG75 Unified Grille Panel Kit is available for side-by-side installations. See Trim Kit descriptions.

**Specification Revised 4/05  
110156**



Listed by  
Underwriters  
Laboratories

For answers to your Monogram,® GE Profile™ or GE appliance questions, visit our website at [GEAppliances.com](http://GEAppliances.com) or call GE Answer Center® service, 800.626.2000.



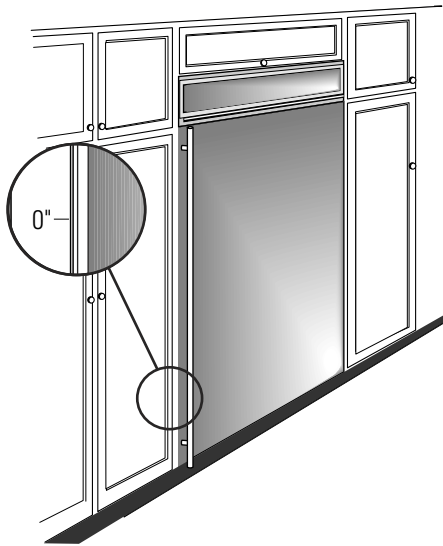
**Monogram.**

## ZIF36NM – GE Monogram 36" Built-In All-Freezer

### Design Information

#### Flush or Semi-Flush Enclosure Installation

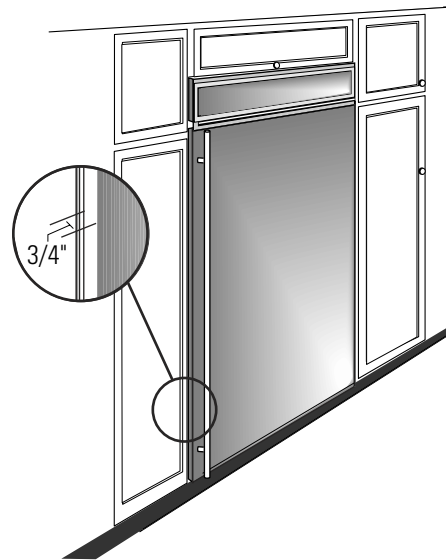
##### True Flush Installation



##### True Flush Installation

In a flush installation, the freezer doors will align evenly with the front face of adjacent cabinet doors. The freezer blends into the surrounding cabinetry.

##### Semi-Flush Installation



##### Semi-Flush Installation

These freezers can also be installed semi-flush into an enclosure using the minimum cutout width. The case trim creates a frame around the opening.

Monogram built-in refrigerators and freezers can be installed flush with typical 24-3/4" deep cabinetry.

When installed semi-flush, the case trim will conceal slight gaps around the enclosure. The refrigerator will project forward approximately 3/4" beyond the front face of surrounding cabinetry.

##### Side Panel Requirements:

- Side panels are not required whenever the refrigerator or freezer is installed into an enclosure or between pantry and oven cabinets.
- Side panels are required whenever the sides of the product are exposed.
- Side panel sizes vary depending on the type of installation being made.

##### To accomplish an attractive installation, you must:

1. Determine the need for side panels.
2. Determine side panel thickness.
3. Order matching side panels from the cabinet manufacturer.  
Be sure to provide the exact dimensions.

Specification Revised 4/05  
110156



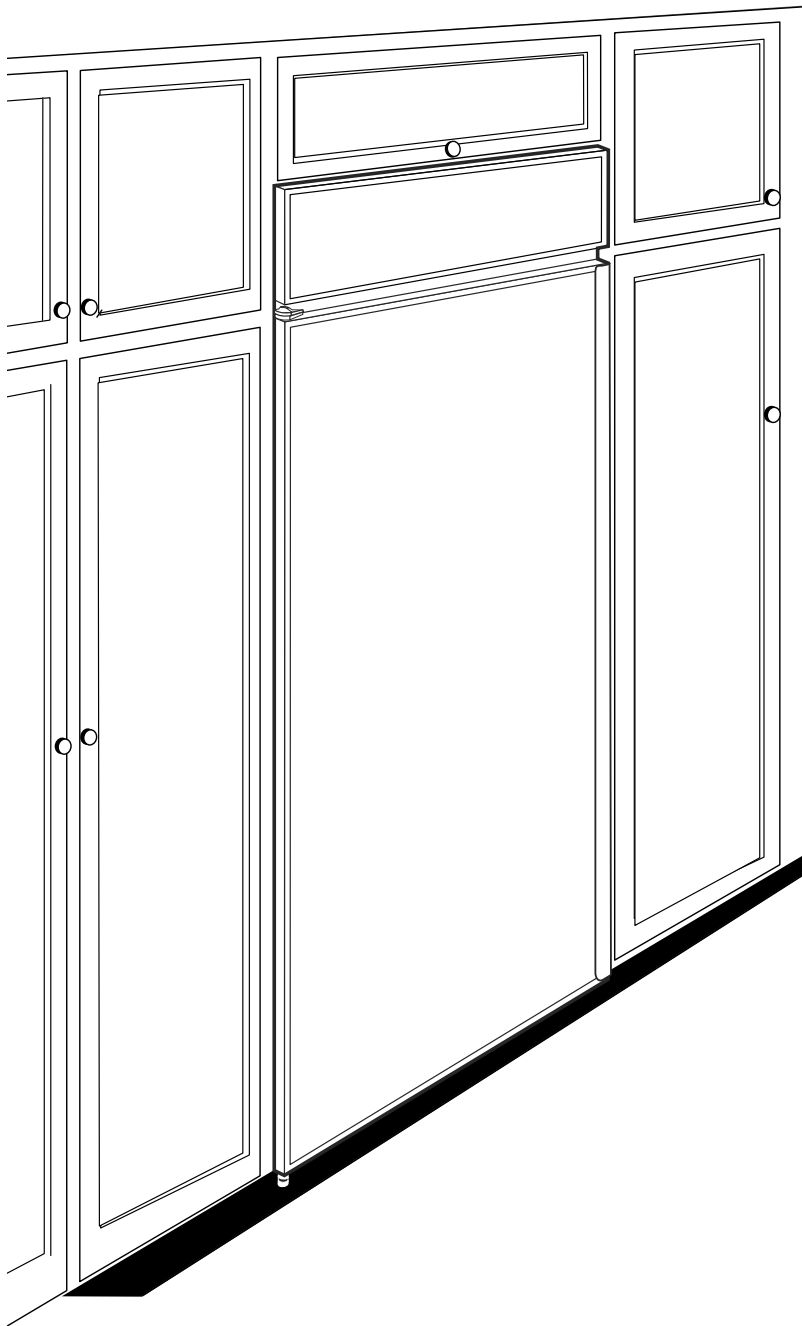
Listed by  
Underwriters  
Laboratories

For answers to your Monogram,<sup>®</sup> GE Profile<sup>™</sup> or GE appliance questions, visit our website at [GEAppliances.com](http://GEAppliances.com) or call GE Answer Center<sup>®</sup> service, 800.626.2000.



**Monogram.**

## ZIF36NM – GE Monogram 36" Built-In All-Freezer



### Features and Benefits

- 21.9 Cu. Ft. Freezer Capacity
- Wire Freezer Shelves (5 Adjustable, 1 Fixed, 1 Full-Width Fixed)
- Wire Baskets with Full-Extension Slides (2 Regular, 4 Large)
- 2 Extra Large Wire Baskets with Easy Access Lid and Full Extension Slides
- 8 Door Bins and Gallon Storage
- Automatic Defrost Sealed System Design
- Full Extension Slides
- Door Panels Required
- Model ZIF36NMRH – Door panels required (right-handed door swing)
- Model ZIF36NMLH – Door panels required (left-handed door swing)

Specification Revised 4/05  
110156

## Free Manuals Download Website

<http://myh66.com>

<http://usermanuals.us>

<http://www.somanuals.com>

<http://www.4manuals.cc>

<http://www.manual-lib.com>

<http://www.404manual.com>

<http://www.luxmanual.com>

<http://aubethermostatmanual.com>

Golf course search by state

<http://golfingnear.com>

Email search by domain

<http://emailbydomain.com>

Auto manuals search

<http://auto.somanuals.com>

TV manuals search

<http://tv.somanuals.com>