



Disposall[®] Food Waste Disposer

Safety Instructions
 Connecting Electricity 2, 3
 Safety Precautions 2

Installation Instructions
 Attaching the
 Discharge Elbow 6
 Components and Installation
 of Sink Flange 5
 Connecting Disposer
 to Sink Flange 7
 Dimensions/Typical
 Installations 8
 Dishwasher Connection 6

Operating Instructions
 Batch Feed Models 9
 Care and Maintenance 10
 Continuous Feed Models 9

Troubleshooting Tips
 Before You Call for Service 11

Consumer Support
 Warranty 12

**Owner's Manual
& Installation
Instructions**

- Model Line Series*
 GFC320
 GFC520
 GFC530
 GFC720
 GFC1020
 GFB760

Write the model and serial numbers for your disposall here:

Model # _____

Serial # _____

You can find them on a label on the bottom of the disposer.



IMPORTANT SAFETY INSTRUCTIONS. READ ALL INSTRUCTIONS BEFORE USING.

INSTRUCTIONS PERTAINING TO A RISK OF FIRE, ELECTRIC SHOCK OR INJURY TO PERSONS

⚠ **WARNING!**

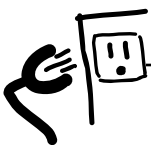
When using electrical appliances, basic safety precautions should be followed, including the following:



SAFETY PRECAUTIONS

- Use this appliance only for its intended purpose as described in this Owner's Manual.
- Read all the instructions before using the appliance.
- To reduce the risk of injury, close supervision is required when an appliance is used near children.
- Do not put fingers or hands into a waste disposer.
- Turn the power switch (normally a wall switch) to the off position before attempting to clear a jam or remove an object from the disposer.
- When attempting to loosen a jam in a waste disposer, use a long wooden object such as a wooden spoon or the wooden handle of a broom or mop.
- When attempting to remove objects from a waste disposer, only use long-handled, non-magnetic tools or utensils, since the disposer may be actuated magnetically.
- To reduce the risk of injury by materials that may be expelled by a waste disposer, do not put the following into a disposer:
 - a) Clam or oyster shells.
 - b) Caustic drain cleaners or similar products.
 - c) Glass, china or plastic.
 - d) Large whole bones.
 - e) Metal, such as bottle caps, tin cans, utensils or aluminum foil.
 - f) Hot grease or other hot liquids.
 - g) Whole corn husks.
- When not operating a disposer, leave the drain stopper in place to reduce the risk of objects falling into the disposer.
- **For proper grounding instructions, see the ELECTRICAL CONNECTION portion of this manual.**

⚠ **WARNING!**



HOW TO CONNECT ELECTRICITY

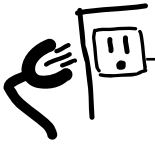
If you are not familiar with electrical power and procedures, call a qualified electrician.

DANGER: Improper connection of the equipment-grounding conductor can result in a risk of electric shock. Check with a qualified electrician or serviceman if you are in doubt as to whether the appliance is properly grounded. Do not modify the plug provided with the appliance if it will not fit the outlet; have a proper outlet installed by a qualified electrician.

For Models Equipped with a Grounded Cord:

GROUNDING INSTRUCTIONS: This appliance must be grounded. In the event of a malfunction or breakdown, grounding provides a path of least resistance for electric current to reduce the risk of electric shock. This appliance is equipped with a cord having an equipment-grounding conductor and a grounding plug. The plug must be plugged into an appropriate outlet that is properly installed and grounded in accordance with all local codes and ordinances. Most houses have electrical outlets under the sink that are half-hot. This means one outlet is controlled by the wall switch, while the other is always hot. The batch-feed or "TC" model connects to the hot side, while the continuous feed model connects to the switch side.

⚠ WARNING!



HOW TO CONNECT ELECTRICITY (cont.)

If you are not familiar with electrical power and procedures, call a qualified electrician.

The power cord and/or connections must comply with the National Electrical Code, Section 422 and/or local codes and ordinances.

For Models Not Equipped with a Cord:

If your disposer does not come equipped with a cord, you can connect it in two ways:

1. Attach a power cord, minimum 18" in length and not to exceed 36" in length. GE Kit #PM3X115 provides the parts needed to make **this connection**.

or

2. Wire the disposer directly into the house current. **GE recommends that a qualified electrician make this connection.**

To Attach a Power Cord:

GROUNDING INSTRUCTIONS: This appliance must be grounded. In the event of malfunction or breakdown, grounding provides a path of least resistance for electric current to reduce the risk of electric shock. The power cord (to be installed) must have an equipment-grounding conductor and a grounding plug. The plug must be plugged into an appropriate outlet that is properly installed and grounded in accordance with all local codes and ordinances. In the absence of local codes and/or ordinances, the outlet must comply with NEC requirements.

DANGER: Improper connection of the equipment-grounding conductor can result in a risk of electric shock. Check with a qualified electrician or serviceman if you are in doubt as to whether the appliance is properly grounded.

NOTE: Disconnect electric power to disposer circuit before installation. Turn the circuit breaker to the **OFF** position or remove the fuse.

- A. Connect the disposer to 110–120 Volt, 60 Hz AC current only.
- B. If a plug-in cord is used, use a three-prong plug. Ground wire should be attached to the ground screw in the bottom of the disposer (end bell).

Trace lead connected to this blade and attach that lead to white wire on disposer.



- C. Use a cable clamp strain relief connector where power cord enters the disposer.

To Wire Your Disposer Directly into the House Current:

GE recommends that a qualified electrician make this connection.

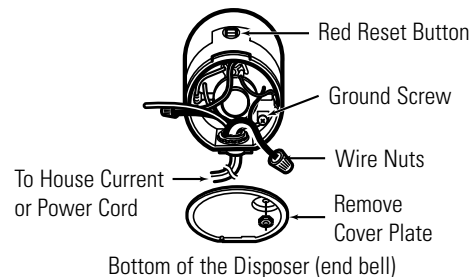
GROUNDING INSTRUCTIONS: This appliance must be connected to a grounded, metal, permanent wiring system; or an equipment-grounding conductor must be run with the circuit conductors and connected to the equipment-grounding terminal or lead on the appliance.

DANGER: Improper connection of the equipment-grounding conductor can result in a risk of electric shock. Check with a qualified electrician or serviceman if you are in doubt as to whether the appliance is properly grounded.

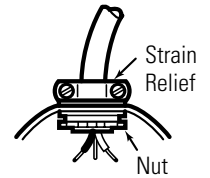
A. If you use BX cable:

1. Install the cable connector in the hole.
2. Connect white wire to white lead of disposer.
3. Connect black wire.
4. Connect bare ground wire.

If BX cable is not used, provide a separate ground wire to the nearest grounded connection, using the screw in the end bell for the ground wire.



- B. If your power supply does not include a ground wire, you must provide one unless metal cable is used. Attach a copper wire securely to disposer ground screw and attach other end of wire to the nearest grounded connection. Use only UL approved ground clamp. If plastic pipe is used in your home, a qualified electrician should install a proper ground. Most houses have electrical outlets under the sink that are half-hot. This means one outlet is controlled by the wall switch, while the other is always hot. The batch-feed or "TC" model connects to the hot side, while the continuous feed model connects to the switch side.



READ AND FOLLOW THIS SAFETY INFORMATION CAREFULLY.

SAVE THESE INSTRUCTIONS

Installation Instructions

Disposer

If you have questions, call **800.GE.CARES (800.432.2737)** or Visit our Website at: **GEAppliances.com**

BEFORE YOU BEGIN

Read these instructions completely and carefully.

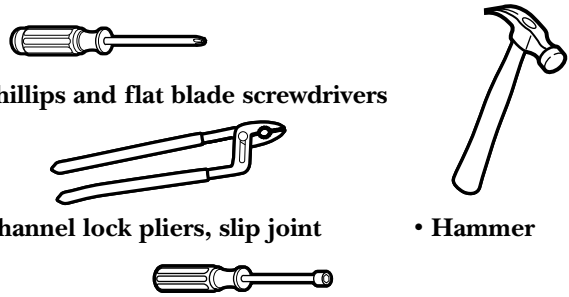
- **IMPORTANT** – Save these instructions for local inspector's use.
- **IMPORTANT** – Observe all governing codes and ordinances.
- **Note to Installer** – Be sure to leave these instructions with the Consumer.
- **Note to Consumer** – Keep these instructions for future reference.
- **Skill level** – Installation of this appliance requires basic mechanical skills.
- **Completion time** – 1 hour
- Proper installation is the responsibility of the installer.
- Product failure due to improper installation is not covered under the Warranty.

PREPARATION

1. Disconnect electrical power supply to disposer.
2. Remove old disposer or sink flange assembly.
3. Inspect drain line. If it is heavily coated with hardened grease and accumulations, rout out with a plumber's snake.
4. Remove old sealing materials and gasketing from sink opening, both top and bottom.

NOTE: Top and bottom of sink surfaces must be free of any materials to prevent leaks.

WHAT YOU WILL NEED

- 
- Phillips and flat blade screwdrivers
 - Channel lock pliers, slip joint
 - Hammer
 - Nut driver

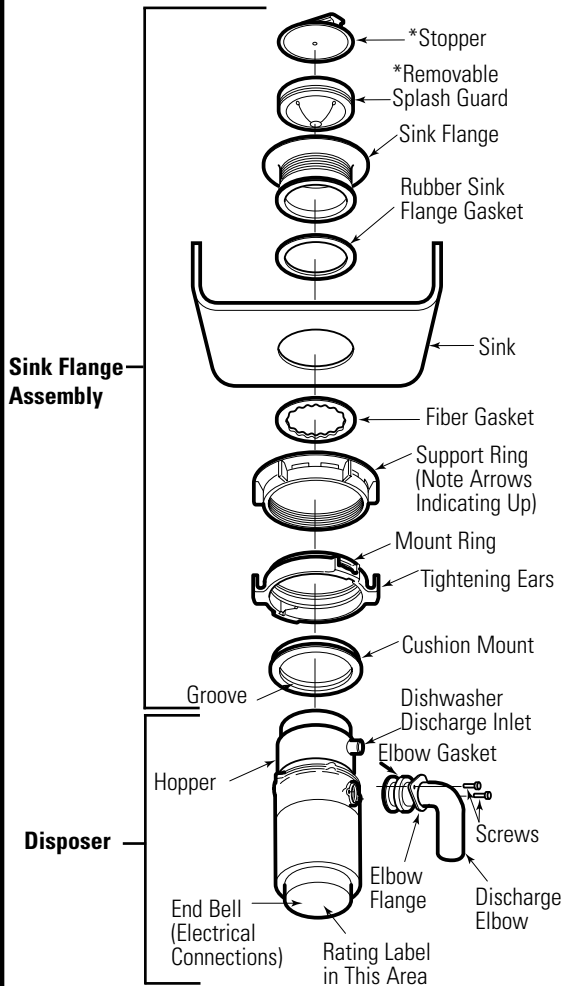
ADDITIONAL MATERIALS YOU MAY NEED

- Steel punch or wooden dowel
- Petroleum jelly or liquid soap
- Hose clamp
- Dishwasher drain connector
- Adjustable pipe wrench
- Plumber's putty (for cast sinks)
- Stepped rubber drain adapter
- Wire nuts
- Cable connector
- Flexible drain pipe
- Power cord kit (Part Number PM3X215GDS)

Installation Instructions

1 COMPONENTS AND INSTALLATION

COMPONENTS

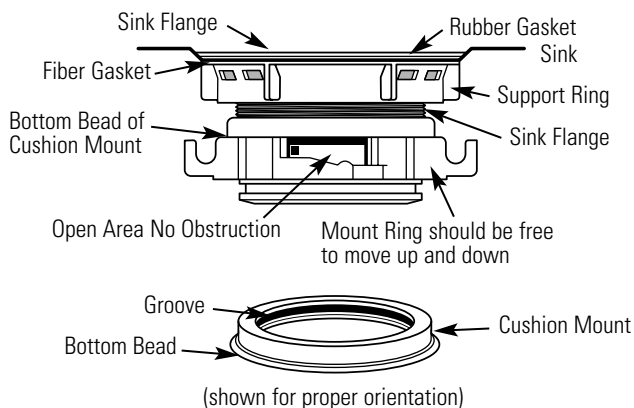


*Not used with batch feed model

INSTALLATION OF SINK FLANGE

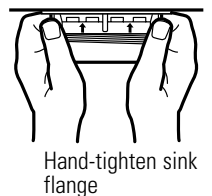
(Read completely before starting.)

Correctly Installed Sink Flange



NOTE: Pay close attention to the order of the sink flange parts, as they have been correctly assembled by the factory.

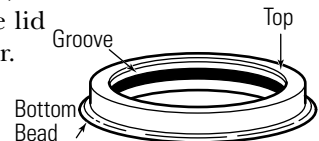
- A. Disassemble the sink flange assembly from the disposer by turning the mount ring to the left (clockwise) and removing it.
- B. Raise the mount ring toward the top of the sink flange. Remove the cushion mount and the mount ring. You may want to practice installing the cushion mount at this point before you are under the sink.
- C. Unscrew the support ring from the sink flange and remove the fiber gasket. You are now left with the sink flange and the rubber gasket.
- D. **The rubber gasket is used instead of plumbers putty with stainless steel sinks.**
- E. If no putty is used, insert the sink flange through the rubber gasket into the sink opening. Do not turn the flange once it is seated.
- F. If you use putty instead of the gasket, form a ring around the underside of the sink flange. Insert the flange into the sink opening, press down hard to squeeze out excess putty. From under the sink, trim off excess putty flush with the bottom edge of the sink opening. Use putty sparingly on cast iron sinks.
- G. From underneath the sink, slip the fiber gasket onto the exposed sink flange. With arrows pointing up, screw the support ring onto the sink flange and hand tighten until the sink flange will not move. At this point you may want to insert the stopper in the sink and fill with water to check the sink flange seal and insure there are no leaks.



- H. Place the mount ring over the sink flange and hold in place while installing the cushion mount (large side down). Make sure the groove on the inside of the cushion mount fits over the lip on the sink flange, similar to putting the lid on a plastic container. Run your fingers around the entire cushion mount with



Cushion Mount Detail



slight pressure. Do not press too hard. When the cushion mount is properly seated, the mount ring can be pulled downward over the cushion mount and will be free to turn.

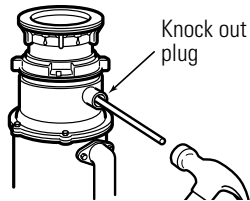
Installation Instructions

2 DISHWASHER CONNECTION (IF REQUIRED)

If you are connecting to a dishwasher, complete the following step. If a dishwasher is not to be connected, go on to “Attaching the Discharge Elbow” section.

1 KNOCK OUT PLUG

Using a blunt instrument (steel punch or wooden dowel), knock out entire plug. Do not use a screwdriver or sharp instrument. When knockout plug falls into disposer, you may remove it or simply grind it up when the disposer is used. This will not damage the disposer in any way, but may take some time to grind, over the course of several uses.

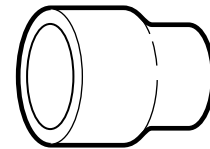


2 CONNECT HOSE

Connect the dishwasher hose using a hose clamp. If the hose size is different, you will need a stepped rubber adapter.



Hose Clamp

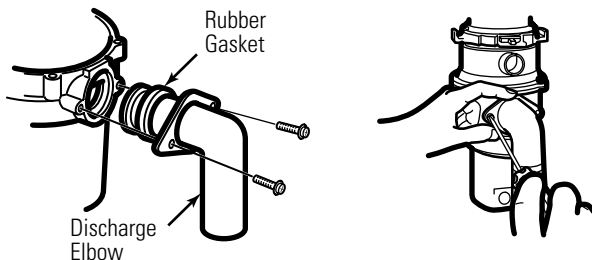


Stepped Rubber Adapter

3 ATTACHING THE DISCHARGE ELBOW

CONNECT DISCHARGE ELBOW

Connect the discharge elbow to the disposer.* Make sure all plumbing connections are tight.



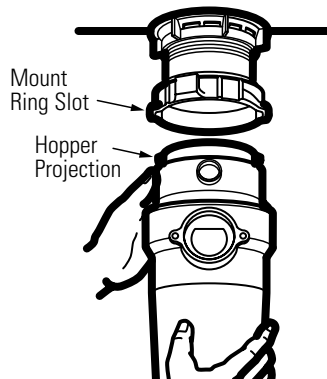
* Some installations (see page 8 for examples) may require the use of a flexible drain pipe.

Installation Instructions

4 CONNECTING DISPOSER TO SINK FLANGE

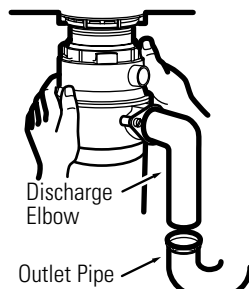
1 ATTACH TO SINK FLANGE

Line up the disposer under the sink flange. Guide the hopper projections into the mount ring slots. Turn the mount ring about 1/4" to the right so that the disposer is temporarily supported.



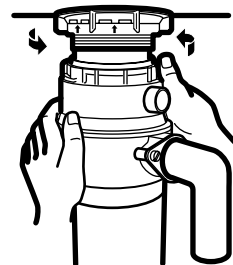
2 LINE UP WITH OUTLET PIPE

Turn the mount ring and the disposer until the disposer discharge elbow lines up with the outlet pipe (see page 8).

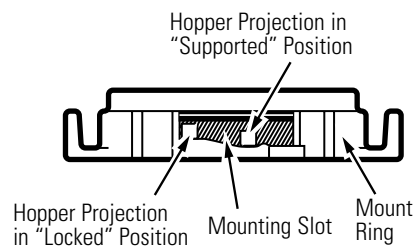


3 LOCK MOUNT RING

Turn the mount ring **slowly** to the right until it locks up tight. **Hopper projections must be to the extreme left of the mounting slots.** If the mount ring is hard to turn, you may add a small amount of petroleum jelly or liquid soap to the hopper projection. Run water and check for leaks.



Locking Detail

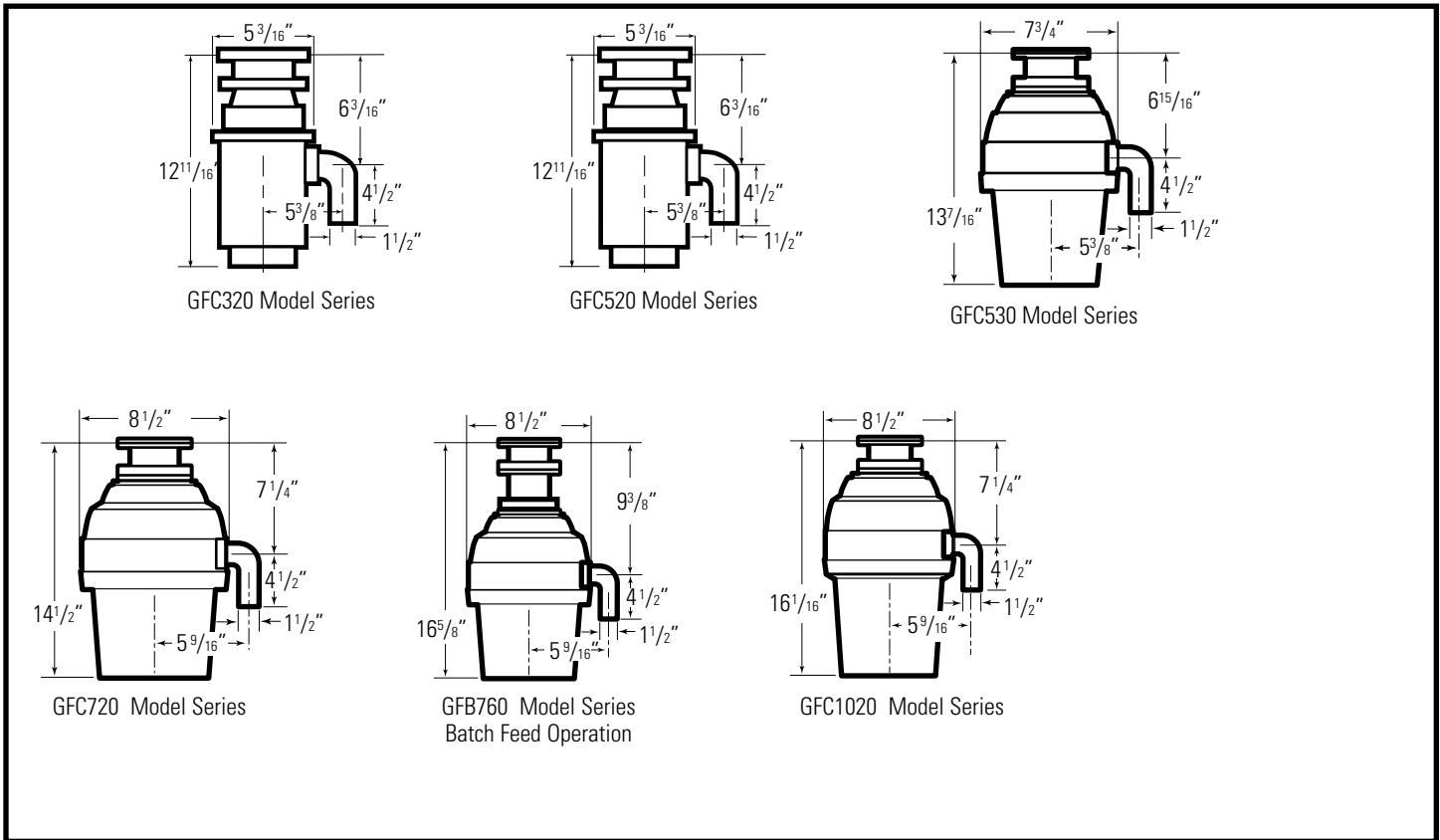


4 CHECK FOR LEAKS

Check the unit for leaks 24 hours after installation and first operation.

Installation Instructions

DIMENSIONS



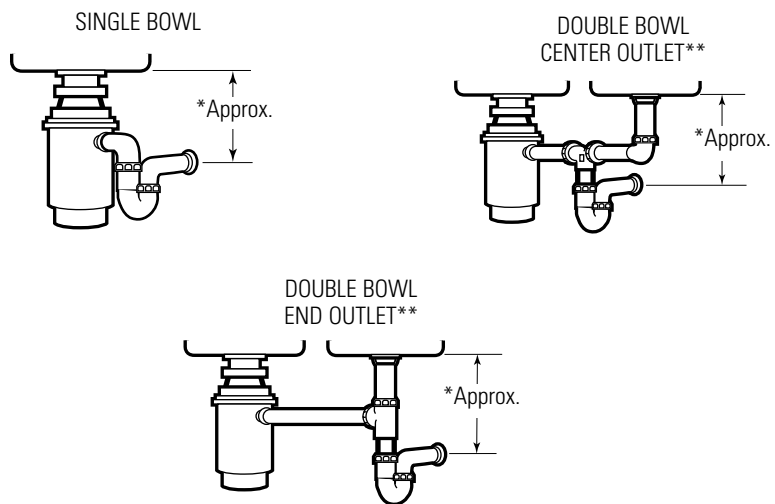
SOME TYPICAL INSTALLATIONS

Direct replacement for most makes & models.

*9" for Model Series GFC320 and GFC520

*10" for Model Series GFC530, GFC720 and GFC1020

*12" for Model Series GFB760



NOTE: It is essential for the proper operation of the disposer that this dimension be 9"–12", depending upon the models listed above, to avoid standing water in disposer motor housing.

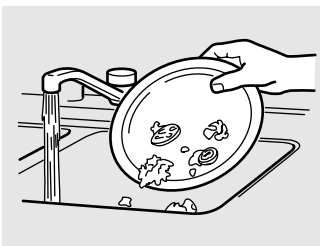
**Flexible drain pipe may be necessary for this application.

This disposer uses anti-jam swivel impellers that make a clicking sound as they swing into place. This indicates normal operation.

Continuous Feed Models

- A. Remove the sink stopper and turn on a medium flow of cold water.
- B. Turn the switch to **ON**.
- C. Scrape in food waste. To speed up food waste disposal, cut or break up large bones, rinds and cobs. Large bones and fibrous husks require considerable grinding time and are more easily thrown away with other trash. Do not be alarmed that the disposer slows down while grinding. The disposer is actually increasing torque (grinding power) and is operating under normal conditions.
- D. Before turning the disposer off, let the water and the disposer run for approximately 25 seconds after shredding stops. This assures that all waste is thoroughly flushed through the trap and drain.
- E. Do not use hot water while running the disposer. Cold water will keep food waste and fats solid so they can be flushed down the drain.

Batch Feed Models



- A. Remove the sink stopper and turn on a medium flow of cold water.
- B. Scrape in food waste.
- C. Insert the stopper to start the disposer. One of the two small slots in the stopper base must line up with the switch plunger inside the neck of the disposer.

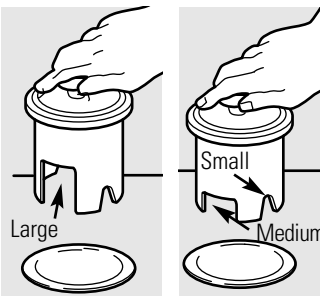
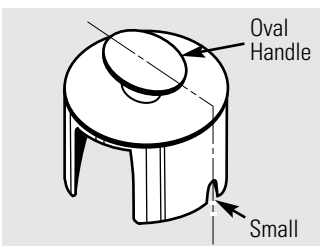
NOTE: The oval shaped handle aligns with the 2 small slots in the stopper.

Push down firmly to start.

- D. Run the disposer for 25 seconds after shredding stops. This assures that all waste is thoroughly flushed through the trap and drain.

Lift the stopper to shut the disposer off.

- E. To fill the sink, insert the stopper so that the largest slot lines up with the switch plunger. The stopper can now be pushed down to seal the sink without starting the disposer. When the medium-sized slot in the stopper base is lined up with the switch plunger, water can drain, but tableware, etc., cannot be accidentally dropped into the disposer.



Operating instructions.

Helpful Hints

- A. Be sure the disposer is empty before using the dishwasher so it can drain properly.
- B. You may want to leave the stopper in the drain when not in use to prevent utensils and foreign objects from falling into the disposer.
- C. The disposer is ruggedly built to give you years and years of trouble-free service. It will handle all normal food wastes— BUT it will not grind and dispose such items as tin cans, bottles and bottle caps, glass, china, leather, cloth, crockery, rubber, string, feathers, or clam or oyster shells. These are waste materials and belong in the trash can or trash compactor.
- D. **TO SPEED UP FOOD WASTE DISPOSAL...** Cut or break up large bones, melon rinds, grapefruit skins and corn cobs. Items such as large bones, fibrous husks like lima bean pods and corn husks require considerable cutting time. For this reason, you may prefer to place them in the trash can or trash compactor.

Care and maintenance.

THE MOTOR IS PERMANENTLY LUBRICATED FOR LIFE. DO NOT ATTEMPT TO LUBRICATE YOUR DISPOSER. *The disposer is self cleaning and scours itself with each use.*

- ***NEVER*** put lye or chemical cleaners into the disposer, as they cause serious corrosion of metal parts.
- Your disposer, except for the Batch Feed model, is equipped with a removable splash guard for ease of cleaning or replacement. Remove the splash guard by pulling it out from the top. To replace, insert into the sink flange and push down until it is properly seated.
- If an odor develops, run orange or lemon rinds through the disposer. A dozen ice cubes sprinkled with a little household scouring powder will also work.



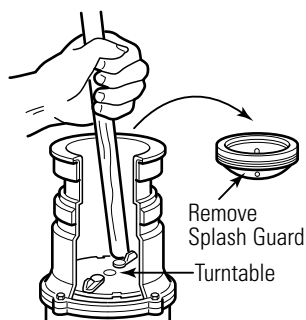
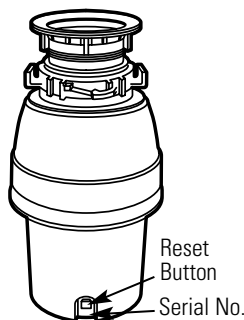
Troubleshooting Tips
 Save time and money! Review the chart on this page first and you may not need to call for service.

SAFETY NOTE: Before investigating, you must disconnect the power supply.

⚠ WARNING!

Before resetting, disconnect the power supply—please see SAFETY NOTE above. The overload control prevents the motor from operating should overloading occur. This feature protects your house wiring and your disposer. When overloaded, the motor will stop automatically.

Problem	Possible Causes	What To Do
Loud noises (other than those during grinding of bones and fruit pits)	Silverware, bottle cap or other foreign object has fallen into the disposer.	<ul style="list-style-type: none"> Remove the splash guard* and remove the object with long-handled tongs. Replace the splash guard.*
Disposer does not start	Reset button has been tripped.	<ul style="list-style-type: none"> With the splash guard* removed, check to see if the turntable will move freely using a broom handle. If the turntable moves freely, replace the splash guard* and check the reset button to see if it has been tripped. The reset button is red and located opposite the discharge elbow, near the bottom of the disposer. Push the button in until it clicks and remains depressed. If the reset button has not been tripped, check for a shorted or broken wire connecting to the disposer. Check the electrical power switch, fuse box or circuit breaker. If wiring and electrical components are intact, the unit may have internal problems that require service or replacement.
	Turntable cannot rotate.	<ul style="list-style-type: none"> If the turntable does not turn freely, check for an object lodged between the turntable and the grind ring. Dislodge the object by moving the turntable with a broom handle. Then remove the object. <p>If no foreign object is present, there may be internal problems.</p>
Disposer leaks	<p>If the leak is at the top, it may be caused by:</p> <ol style="list-style-type: none"> 1. Improper seating of sink flange (gasket choice, putty or tightening). 2. Support ring not tightened properly. 3. Defective cushion mount. <p>If the leak is at the discharge elbow, leak may be caused by improper tightening of elbow flange screws.</p>	



*Batch Feed does not include splash guard.

Disposer Warranty.



All warranty service provided by our Factory Service Centers, or an authorized Customer Care® technician. To schedule service, on-line, 24 hours a day, visit us at GEAppliances.com, or call 800.GE.CARES (800.432.2737).

Staple your receipt here. Proof of the original purchase date is needed to obtain service under the warranty.

For The Period Of:	GE Will Replace:
One Year From the date of the original purchase	The entire disposer if there is a defect in materials or workmanship relating to functional parts only (appearance parts are excluded). During this full one-year warranty , GE will also provide, free of charge , all labor charges related to replacing the original disposer along with the replacement disposer within the first year.
Additional One Year From the date of the original purchase	Model Line Series GFC520: If there is a defect in materials or workmanship relating to functional parts only (appearance parts are excluded). During this one year extended limited warranty period, you will be responsible for all installation charges relating to the replacement disposer.
Additional Two Years From the date of the original purchase	Model Line Series GFC530: If there is a defect in materials or workmanship relating to functional parts only (appearance parts are excluded). During this two year extended limited warranty period, you will be responsible for all installation charges relating to the replacement disposer.
Additional Four Years From the date of the original purchase	Model Line Series GFC720: If there is a defect in materials or workmanship relating to functional parts only (appearance parts are excluded). During this four year extended limited warranty period, you will be responsible for all installation charges relating to the replacement disposer.
Additional Six Years From the date of the original purchase	Model Line Series GFC1020: If there is a defect in materials or workmanship relating to functional parts only (appearance parts are excluded). During this six year extended limited warranty period, you will be responsible for all installation charges relating to the replacement disposer.

What GE Will Not Cover:

- Service trips to your home to teach you how to use the product.
- Improper installation.
- Failure of the product if it is abused, misused, or used for other than the intended purpose or used commercially.
- Replacement of house fuses or resetting of circuit breakers.
- Damage to the product caused by accident, fire, floods or acts of God.
- Incidental or consequential damage caused by possible defects with this appliance.

This warranty is extended to the original purchaser and any succeeding owner for products purchased for home use within the USA. In Alaska, the warranty excludes the cost of shipping or service calls to your home.

Some states do not allow the exclusion or limitation of incidental or consequential damages. This warranty gives you specific legal rights, and you may also have other rights which vary from state to state. To know what your legal rights are, consult your local or state consumer affairs office or your state's Attorney General.

Warrantor: General Electric Company, Louisville, KY 40225



Triturador de desechos de alimentos

Información de seguridad
 Cómo conectar
 la corriente eléctrica 2, 3
 Precauciones de seguridad 2

Instrucciones para la instalación
 Cómo conectar el codo
 de descarga 6
 Cómo conectar el triturador
 a la brida del lavaplatos 7
 Componentes e instalación
 para la brida del lavaplatos 5
 Conexión hacia la lavadora
 de platos 6
 Dimensiones/
 Instalaciones típicas 8

Instrucciones de operación
 Cuidado y mantenimiento 10
 Modelos de alimentación
 continua 9
 Modelos de alimentación
 por lote 9

**Consejos para la solución
 de averías**
 Antes de llamar
 para servicio 11

Servicio al consumidor
 Garantía 12

**Manual del propietario
e instrucciones para
la instalación**

Línea de Modelos Serie
 GFC320
 GFC520
 GFC530
 GFC720
 GFC1020
 GFB760

**Escriba los números del modelo y
serie para su triturador aquí:**

Modelo # _____

Serie # _____

Lo puede encontrar en una etiqueta
en la parte inferior del triturador.



IMPORTANTE INSTRUCCIONES DE SEGURIDAD. LEA TODAS LAS INSTRUCCIONES ANTES DEL USO.

INSTRUCCIONES RELACIONADAS CON EL RIESGO DE INCENDIOS, DESCARGAS ELÉCTRICAS O LESIONES A PERSONAS

⚠ ¡ADVERTENCIA!

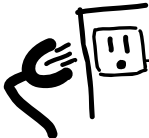
Al usar aparatos eléctricos, se deberán seguir precauciones básicas de seguridad, incluyendo las siguientes:



PRECAUCIONES DE SEGURIDAD

- Use este aparato sólo para el propósito establecido como se describe en este Manual del propietario.
- Lea todas las instrucciones antes de utilizar el aparato.
- Para reducir el riesgo de lesiones, se requiere de supervisión cercana cuando se use el aparato cerca de los niños.
- No ponga los dedos o las manos en el triturador de comidas.
- Gire el interruptor (normalmente un interruptor de pared) a la posición de apagado antes de intentar retirar una obstrucción o remover un objeto del triturador.
- Cuando intente retirar una obstrucción en el triturador de alimentos, utilice un objeto de madera largo como una cuchara de madera o el palo de una escoba o trapero.
- Cuando intente remover objetos de un triturador de alimentos, utilice solamente herramientas o utensilios no magnéticos de manija larga, ya que el triturador podría ser accionado magnéticamente.
- Para reducir el riesgo de lesiones por parte de materiales que pudieran ser expulsados por el triturador de desechos, no coloque lo siguiente en el triturador:
 - a) Conchas de mariscos.
 - b) Limpiadores de drenaje cáusticos o productos similares.
 - c) Vidrio, porcelana o plástico.
 - d) Huesos grandes.
 - e) Metal, como tapas de botella, latas, utensilios o papel de aluminio.
 - f) Aceite caliente, u otros líquidos calientes.
 - g) Tusas de maíz enteras.
- Cuando no esté operando el triturador, deje la tapa de drenaje en su lugar para reducir el riesgo de que caigan objetos dentro del triturador.
- **Consulte la porción de CONEXIÓN ELÉCTRICA de este manual para las instrucciones apropiadas de conexión a tierra.**

⚠ ¡ADVERTENCIA!



CÓMO CONECTAR LA CORRIENTE ELÉCTRICA

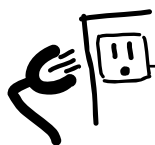
Si no está familiarizado con la parte eléctrica y sus procedimientos, llame a un electricista calificado.

PELIGRO: La conexión incorrecta del sistema de polo a tierra puede resultar en el riesgo de una descarga eléctrica. Consulte con un electricista calificado o con un proveedor de servicios si tiene dudas de que el aparato esté correctamente conectado a tierra. No modifique el enchufe suministrado con el aparato si no encaja en el tomacorriente; haga que un electricista calificado instale un tomacorriente apropiado.

Para modelos equipados con un cable a tierra:

INSTRUCCIONES DE CONEXIÓN A TIERRA: Este aparato debe ser conectado a tierra. En el caso de una avería o daño, la conexión a tierra suministra una vía de menor resistencia para la corriente eléctrica a fin de reducir el riesgo de una descarga eléctrica. Este aparato está provisto de un cable que tiene un conductor y un enchufe de conexión a tierra. El enchufe debe conectarse a un tomacorriente apropiado que esté instalado correctamente y con conexión a tierra de acuerdo con todos los códigos y regulaciones locales. La mayoría de las casas tienen tomacorrientes eléctricos debajo del lavaplatos que medio-calientes. Esto significa que un tomacorriente está controlado por el interruptor de la pared, mientras que el otro siempre tiene corriente (caliente). El modelo “batch-feed” o “TC” se conecta al lado que tiene corriente, mientras que el modelo de suministro continuo se conecta al lado del interruptor.

⚠ ¡ADVERTENCIA!



CÓMO CONECTAR LA CORRIENTE ELÉCTRICA (Continuación)

Si no está familiarizado con la parte eléctrica y sus procedimientos, llame a un electricista calificado.

El cable eléctrico y/o las conexiones deben cumplir con el código National Electric, Sección 422 y/o códigos locales y ordenanzas.

Para modelos no equipados con un cable:

Si su triturador no viene equipado con un cable, usted puede conectarlo de dos maneras:

1. Adhiera un cable eléctrico, de una longitud mínima de 18" y que no exceda 36." El Kit GE #PM3X115 proporciona las partes necesarias para hacer esta conexión.
2. Conecte el triturador directamente al sistema eléctrico de la casa. GE recomienda que la conexión la haga un técnico calificado.

Para conectar un cable eléctrico:

INSTRUCCIONES DE CONEXIÓN A TIERRA: Este aparato debe ser conectado a tierra. En el caso de una avería o daño, la conexión a tierra suministra una vía de menor resistencia para la corriente eléctrica a fin de reducir el riesgo de una descarga eléctrica. El cable eléctrico (a instalar) debe tener un conductor y un enchufe de conexión a tierra. El enchufe debe conectarse a un tomacorriente apropiado que esté instalado correctamente y con conexión a tierra de acuerdo con todos los códigos y regulaciones locales. Si no existen códigos locales y/u ordenanzas, el enchufe debe ajustarse a los requisitos NEC.

PELIGRO: La conexión incorrecta del sistema de polo a tierra puede resultar en el riesgo de descarga eléctrica. Consulte con un electricista calificado o con un proveedor de servicios si tiene dudas de que el aparato esté correctamente conectado a tierra.

NOTA: Desconecte la energía eléctrica hacia el circuito del triturador antes de la instalación. Fije el interruptor del circuito en la posición de apagado (OFF) o retire el fusible.

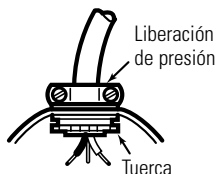
- A. Conecte el triturador únicamente a una corriente de 110-120 voltios, 60 Hz de corriente alterna (AC).
- B. Si se utiliza un enchufe con cable, use un enchufe de tres patas. Se debe agregar una línea de tierra al tornillo de conexión a tierra en la parte inferior del triturador (campana extremo).

Busque el conductor conectado a esta hoja y una ese conductor al cable blanco del triturador.



NOTA: Al ver el costado del enchufe eléctrico con el dispositivo de conexión a tierra en la parte superior, la hoja izquierda más larga se conecta con el cable identificado.

- C. Utilice un conector de alivio de presión de la abrazadera del cable donde el cable de corriente entra al triturador.



Si está conectando el triturador directamente a la corriente de la casa:

GE recomienda que la conexión la haga un técnico calificado.

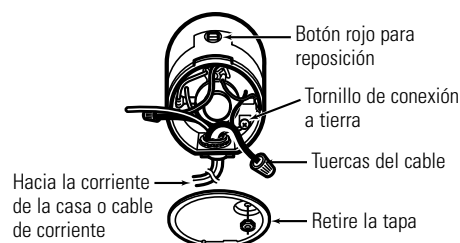
INSTRUCCIONES DE CONEXIÓN A TIERRA: Este aparato se debe conectar a un sistema de cableado permanente, metálico conectado a tierra, o se debe correr un conductor de conexión a tierra para equipos con los conductores del circuito y conectarse al terminal de conexión a tierra para equipos o al conductor en el aparato.

PELIGRO: La conexión incorrecta del sistema de polo a tierra puede resultar en el riesgo de descarga eléctrica. Consulte con un electricista calificado o con un proveedor de servicios si tiene dudas de que el aparato esté correctamente conectado a tierra.

- A. Si utiliza un cable BX:

1. Instale el conector de cable en el orificio.
2. Conecte el cable blanco al conductor blanco del triturador.
3. Conecte el cable negro.
4. Conecte el alambre pelado de tierra.

Si no se utiliza un cable BX, instale un cable por separado de conexión a tierra a una conexión a tierra más cercana, utilizando el tornillo en la campana extremo para el cable de conexión a tierra.



Fondo del triturador (campana extremo)

- B. Si su suministro de corriente no incluye un cable de conexión a tierra, debe adquirir uno a menos que se utilice un cable metálico. Conecte firmemente un cable de cobre al tornillo de polo a tierra del triturador y conecte el otro extremo del cable a una conexión a tierra más cercana. Use solamente abrazaderas de conexión a tierra aprobadas por UL. Si en su casa se utilizan tuberías de plástico, un electricista calificado debe instalar una conexión a tierra adecuada. La mayoría de las casas tienen tomacorrientes eléctricos debajo del lavaplatos que medio-calientes. Esto significa que un tomacorriente está controlado por el interruptor de la pared, mientras que el otro siempre tiene corriente (caliente). El modelo "batch-feed" o "TC" se conecta al lado que tiene corriente, mientras que el modelo de suministro continuo se conecta al lado del interruptor.



LEA Y SIGA CUIDADOSAMENTE ESTA INFORMACIÓN DE SEGURIDAD.
CONSERVE ESTAS INSTRUCCIONES

Instrucciones para la instalación

Triturador

Si tiene preguntas, llame al 800.GE.CARES (800.432.2737) o Visite nuestra página en la red: GEAppliances.com

ANTES DE EMPEZAR

Lea estas instrucciones completa y cuidadosamente.

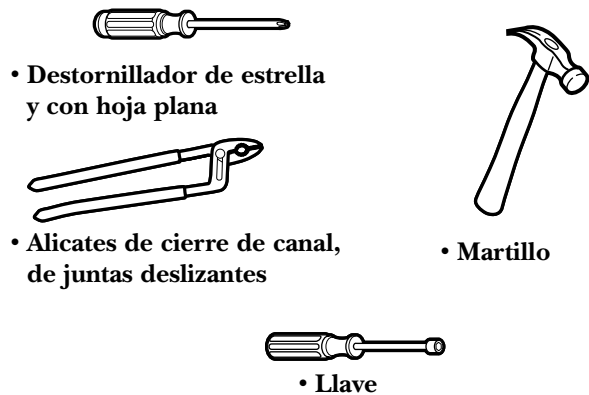
- **IMPORTANTE** – Guarde estas instrucciones para uso del inspector local.
- **IMPORTANTE** – Observe todos los códigos y órdenes de ley.
- **Nota al instalador** – Asegúrese de dejar estas instrucciones con el consumidor.
- **Nota al consumidor** – Conserve estas instrucciones para referencia futura.
- **Nivel de destreza** – La instalación de este aparato requiere de destrezas mecánicas básicas.
- **Tiempo de ejecución** – 1 hora
- La instalación apropiada es la responsabilidad del instalador.
- La falla del producto debido a una instalación inadecuada no está cubierta por la garantía.

PREPARACIÓN

1. Desconecte el suministro del cable eléctrico hacia el triturador.
2. Remueva el triturador viejo o la ensambladura de la brida del lavaplatos.
3. Inspeccione la línea de drenaje. Si la línea de drenaje se encuentra muy cubierta con grasa endurecida y acumulaciones, serpenteo con una serpiente de plomero.
4. Remueva los materiales de sellado viejos y los pedazos de juntas de la abertura del lavaplatos, tanto arriba como abajo.

NOTA: Las superficies superiores e inferiores del lavaplatos deben estar libres de materiales para prevenir fugas.

QUÉ NECESITA



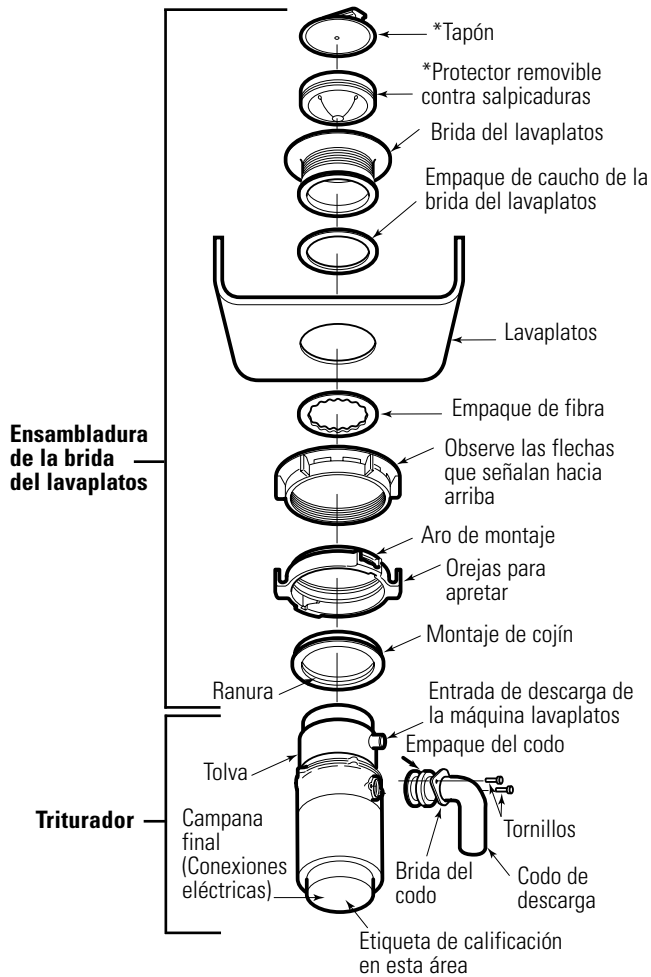
MATERIALES ADICIONALES QUE USTED PODRÍA NECESITAR

- Punzón de acero o clavija de madera
- Petrolato o jabón líquido
- Abrazadera de manguera
- Conector de drenaje para lavadora de platos
- Llave de tubos ajustable
- Masilla de plomero (para sellado del lavaplatos)
- Adaptador de drenaje de caucho escalonado
- Tuercas de alambre
- Cable conector
- Tubería de drenaje flexible
- Kit del cable eléctrico (Parte No. PM3X215GDS)

Instrucciones para la instalación

1 COMPONENTES E INSTALACIÓN

COMPONENTES

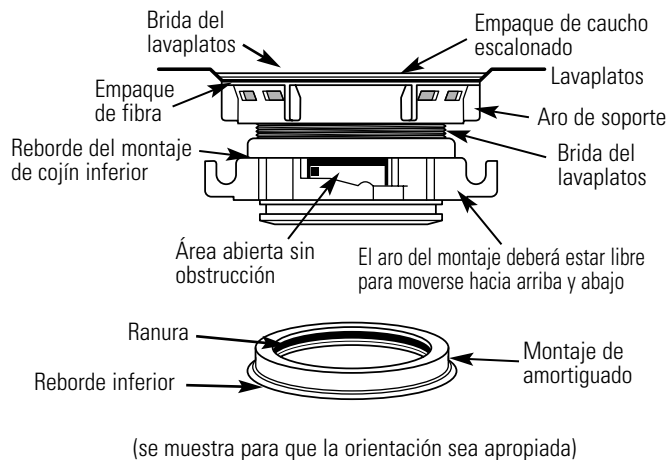


*No use con modelo de alimentación por lote

INSTALACIÓN PARA LA BRIDA DEL LAVAPLATOS

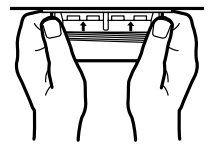
(Lea completamente antes de empezar.)

Ensambladura de la brida del lavaplatos correctamente instalada



NOTA: Ponga mucha atención al orden de las piezas de la ensambladura de la brida del lavaplatos, ya que han sido ensambladas correctamente por el fabricante.

- Desensamble la ensambladura de la brida del lavaplatos del triturador girando el aro de montaje hacia la izquierda (en sentido de las agujas del reloj) y remuévalo.
- Levante el aro de montaje hacia la parte superior de la ensambladura de la brida del lavaplatos. Remueva el montaje de amortiguado y el aro de montaje. Quizás usted quiera practicar instalando el montaje de amortiguado en ese momento antes de trabajar debajo del lavaplatos.
- Destornille el aro de soporte de la brida del lavaplatos y retire el empaque de fibra. Ahora le resta la brida del lavaplatos y el empaque de caucho.
- El empaque de caucho sirve en vez de la masilla de plomero en lavaplatos de acero inoxidable.**
- Si no se utiliza masilla, introduzca la brida del lavaplatos a través del empaque de caucho en la abertura del lavaplatos. No rote la brida una vez esté colocada.
- Si utiliza masilla en vez del empaque, forme un aro alrededor del costado inferior de la brida del lavaplatos. Inserte la brida en la abertura del lavaplatos, presione hacia abajo con fuerza hasta retirar completamente el exceso de masilla. Desde abajo del lavaplatos, quite el exceso de masilla con el borde inferior de la abertura del lavaplatos. Use la masilla en pequeñas cantidades en lavaplatos de hierro fundido.
- Desde abajo del lavaplatos, deslice el empaque de fibra hacia la brida del lavaplatos expuesta. Con las flechas hacia arriba, atornille el aro de soporte en la brida del lavaplatos, apriete con la mano hasta que la brida del lavaplatos no se mueva. En este momento, quizás quiera insertar un tapón en el lavaplatos y llenarlo con agua para revisar el sello de la brida del lavaplatos y asegurarse de que no haya fugas.

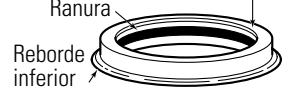


Apriete con la mano la brida del lavaplatos



Detalles del montaje de cojín

Pase sus dedos alrededor de todo el montaje de amortiguado haciendo un poco de presión. No presione demasiado. Cuando el montaje de amortiguado haya asentado apropiadamente, el aro de montaje puede ser empujado hacia abajo sobre el montaje de amortiguado y entonces estará libre para girar.



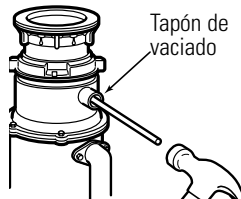
Instrucciones para la instalación

2 CONEXIÓN HACIA LA LAVADORA DE PLATOS (SI SE REQUIERE)

Si usted está conectando una lavadora de platos, complete el siguiente paso. Si por el contrario, usted no va a conectar una lavadora de platos, pase a la sección "Sujetando el codo de descarga."

1 TAPÓN DE VACIADO

Con un instrumento sin punta (punzón de acero o clavija de madera), retire el tapón completamente. No use un destornillador o instrumento afilado. Cuando el tapón de vaciado caiga dentro del triturador, lo puede quitar o simplemente trítúrelo cuando utilice el triturador. Esto no dañará de ninguna manera el triturador, pero puede tomar algún tiempo para triturarse, en el transcurso de varios usos.

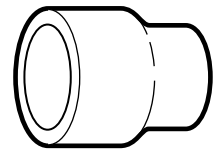


2 CONECTE LA MANGUERA

Conecte la manguera de la lavadora de platos utilizando una abrazadera de manguera. Si el tamaño de la manguera es diferente, necesitará un adaptador de caucho escalonado.



Abrazadera de manguera

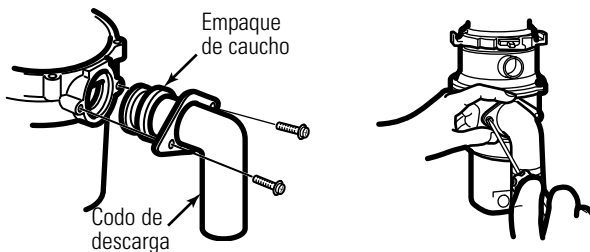


Adaptador de caucho escalonado

3 CÓMO CONECTAR EL CODO DE DESCARGA

CONECTE EL CODO DE DESCARGA

Conecte el codo de descarga al triturador.* Asegúrese de que todas las conexiones de la tubería estén apretadas.



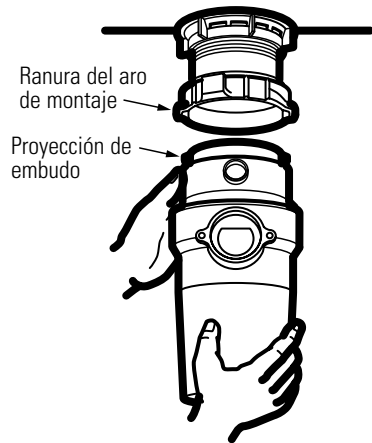
* Algunas instalaciones (ver la página 8 para ejemplos) puede que requieran el uso de una tubería de drenaje flexible.

Instrucciones para la instalación

4 COMO CONECTAR EL TRITURADOR A LA BRIDA DEL LAVAPLATOS

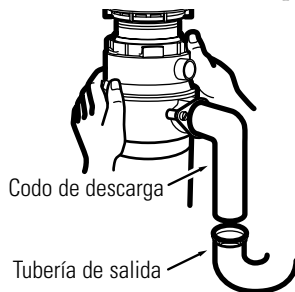
1 CONECTE A LA BRIDA DEL LAVAPLATOS

Alinee el triturador debajo la brida del lavaplatos. Guíe las proyecciones de la tolva hacia las ranuras en el aro de montaje. Dele vuelta al aro de montaje unos 1/4" hacia la derecha, de manera que el triturador quede temporalmente apoyado.



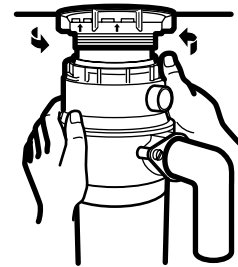
2 ALINEE CON EL TUBO DE SALIDA

Gire el aro de montaje y el triturador hasta que el codo de descarga del triturador se encuentre alineado con el tubo de salida (ver página 8).



3 ASEGURE EL ARO DE MONTAJE

Gire el aro de montaje hacia la derecha **lentamente** hasta que quede asegurado firmemente. **Las proyecciones de la tolva deben estar hacia el extremo izquierdo de las ranuras del montaje.** Si el aro de montaje es difícil de girar, le puede agregar una pequeña cantidad de petrolato o de jabón líquido a la proyección de la tolva. Haga correr agua y revise las fugas.



Detalles del aseguramiento

La proyección de la tolva en posición "de soporte"



La proyección de la tolva en posición "asegurada"

Ranura del montaje

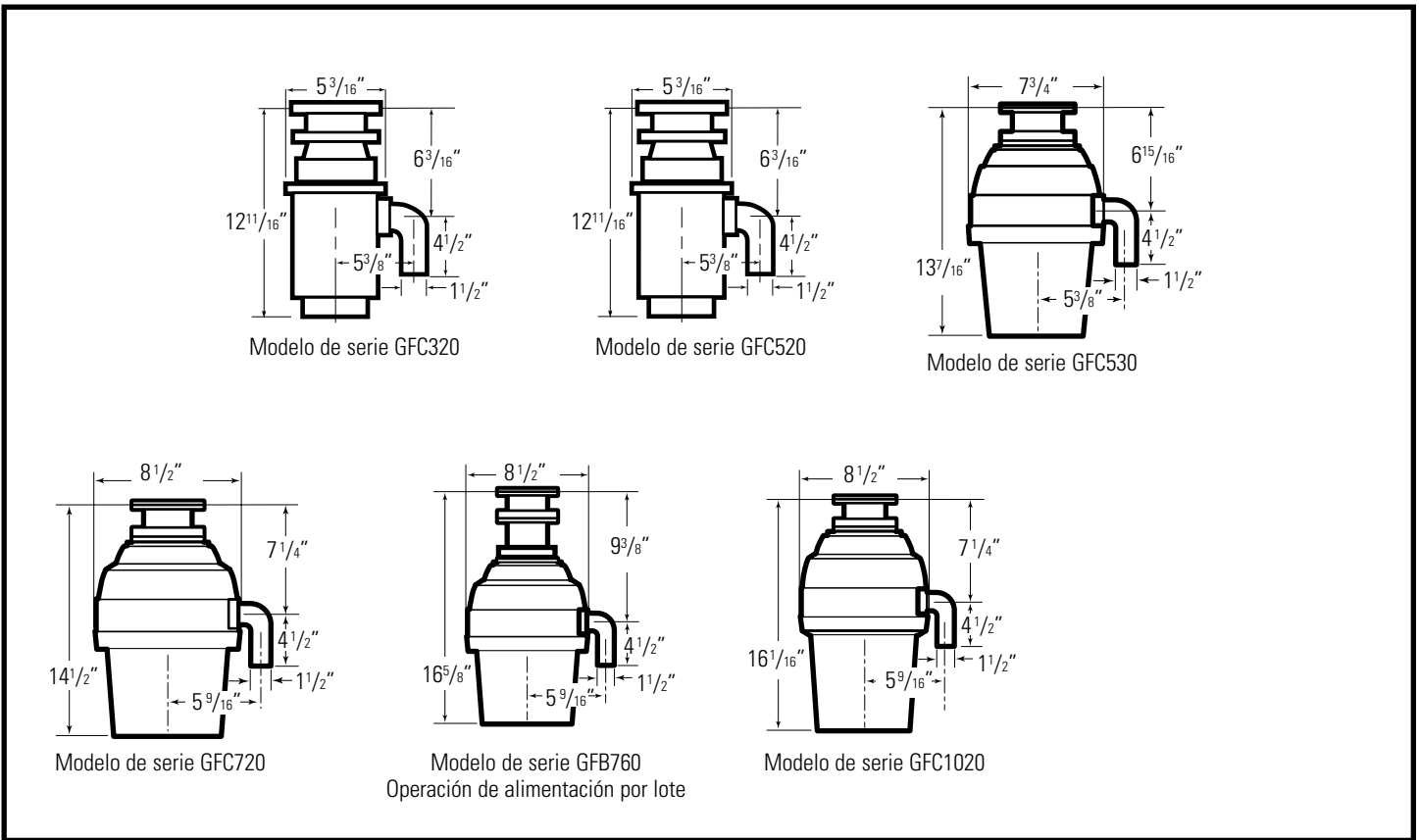
Aro de montaje

4 REVISE LAS FUGAS

Inspeccione la unidad en busca de fugas 24 horas después de la instalación y de la primera operación.

Instrucciones para la instalación

DIMENSIONES



ALGUNAS INSTALACIONES TÍPICAS

Reposición directa para la mayoría de las marcas y modelos.

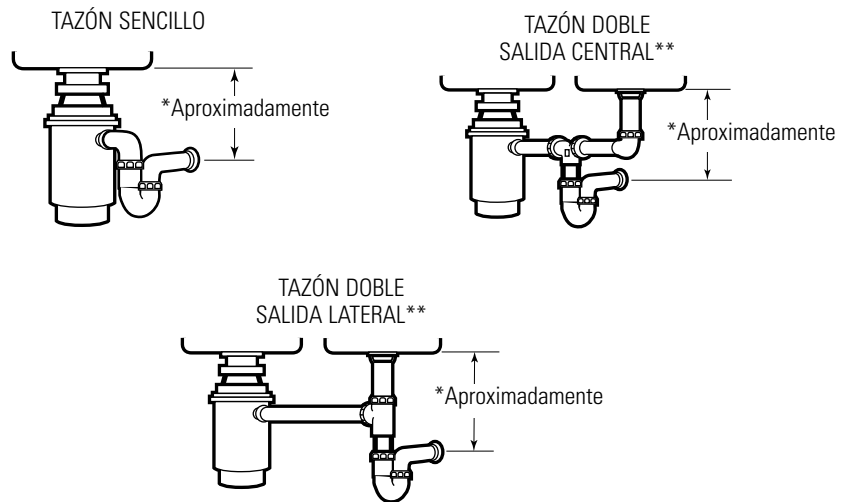
*9" para los modelos de serie GFC320 y GFC520

*10" para los modelos de serie GFC530, GFC720 y GFC1020

*12" para el modelo de serie GFB760

NOTA: Para lograr una operación del triturador apropiada, es esencial que esta dimensión sea 9"–12", dependiendo de los modelos enumerados anteriormente, para evitar agua estancada en el alojamiento del motor del triturador.

**Una tubería de drenaje flexible podría ser necesaria para esta aplicación.

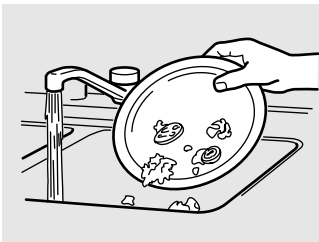


Este triturador utiliza propulsores giratorios que impiden los atascamientos y producen un sonido ligero cuando se mueven hacia su lugar. Esto indica una operación normal.

Modelos de alimentación continua

- A. Remueva el tapón del lavaplatos y conecte a un flujo medio de agua fría.
- B. Coloque el interruptor en **ON (Encendido)**.
- C. Vierta los desechos de comida. Para agilizar la trituración de los desechos de comida, corte o parta los huesos grandes, las cáscaras y las tusas de maíz. Los huesos grandes y las cáscaras fibrosas requieren de un triturado de mayor tiempo y es más fácil desecharlos con la otra basura. No se alarme si el triturador disminuye su velocidad mientras tritura. El triturador en realidad está aumentando la fuerza de torque (potencia de trituración) y está operando bajo condiciones normales.
- D. Antes de apagar el triturador, deje que el agua y el triturador corran por 25 segundos aproximadamente después de que la trituración termine. Esto asegura que todos los desperdicios fluyan completamente a través del desagüe.
- E. No use agua caliente mientras el triturador está funcionando. El agua fría evitará que los desperdicios de alimentos y las grasas se solidifiquen, permitiendo así que sean purgados más fácilmente.

Modelos de alimentación por lote



- A. Retire el tapón del lavaplatos y gire el grifo a un flujo medio de agua fría.
- B. Vierta los desechos de comida.
- C. Inserte el tapón para iniciar el triturador. Una de las dos ranuras pequeñas en la base del tapón debe estar alineada con el émbolo del interruptor dentro del cuello del triturador.

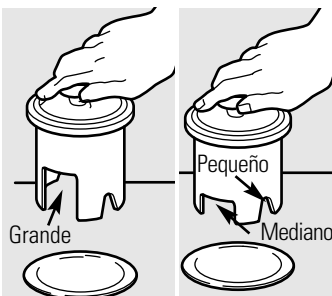
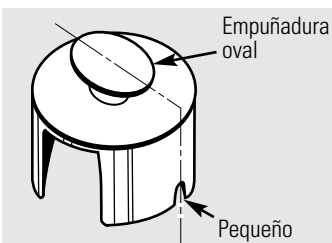
NOTA: La manija en forma de óvalo se alinea con las dos pequeñas ranuras del tapón.

Empuje firmemente para arrancar.

- D. Corra el triturador por 25 segundos después de que la trituración termine. Esto asegura que todo los desechos se evacuen completamente a través del desagüe.

Levante el tapón para apagar el triturador.

- E. Para llenar el lavaplatos, inserte el tapón de forma que la ranura más grande se alinee con el émbolo del interruptor. El tapón puede ahora ser empujado hacia abajo para sellar el lavaplatos sin iniciar el triturador. Cuando la ranura de tamaño medio de la base del tapón se alinea con el émbolo del interruptor, se puede drenar el agua, pero los cubiertos, etc., no pueden caer accidentalmente al triturador.



Instrucciones de operación.

Consejos útiles

- A. Cerciórese de que el triturador esté vacío antes de usar la lavadora de platos para que pueda drenar apropiadamente.
- B. Quizás desee dejar el tapón en el desagüe cuando no esté en uso para impedir que utensilios y objetos extraños caigan dentro del triturador.
- C. El triturador está firmemente fabricado para brindarle años de servicio sin problemas. Manejará todo tipo de desechos de comida normales, pero no triturará elementos como latas, botellas, tapas de botella, vidrio, porcelana, cuero, telas, vasijas de barro, caucho, cordones, plumas o conchas de ostras o de mariscos. Estos son materiales de desecho y deben ir en la basura o en el compactador de basura.
- D. PARA AGILIZAR LA TRITURACIÓN DE DESECHOS DE ALIMENTOS... Corte o parta los huesos grandes, la corteza del melón, las cáscaras de la toronja y las tusas de maíz. Elementos como huesos grandes y cáscaras fibrosas como las vainas de las judías y las tusas de mazorca requieren de más tiempo para cortar. Por esta razón, quizás quiera ponerlos en la basura o en el compactador de basuras.

Cuidado y mantenimiento.

¡EL MOTOR ESTÁ PERMANENTEMENTE LUBRICADO DE POR VIDA. NO INTENTE LUBRICAR SU TRITURADOR. El triturador se limpia solo y se purga en cada uso.

- **NUNCA** coloque lejía o limpiadores químicos en el triturador, ya que éstos causan corrosión seria a las partes metálicas.
- Su triturador, excepto para el modelo de alimentación por lote, está equipado con un protector de salpicaduras removible para una fácil limpieza o reposición. Retire el protector de salpicaduras empujándolo hacia fuera desde arriba. Para reemplazarlo, insértelo en la brida del lavaplatos y empújelo hacia abajo hasta que quede correctamente instalado.
- Si llegara a sentir algún mal olor, purgue cortezas de naranja o limón a través del triturador. Una docena de cubitos de hielo salpicados con un poco de polvo limpiador casero también funciona.



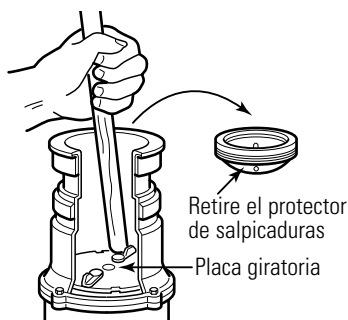
Consejos para la solución de averías
¡Ahorre tiempo y dinero! Revise las tablas en las siguientes páginas primero y quizás no necesite llamar a solicitar el servicio.

NOTA DE SEGURIDAD: Antes de investigar, debe desconectar el suministro de energía.

⚠ ¡ADVERTENCIA!

Antes de presionar el botón de reposición, desconecte el suministro de corriente eléctrica, y por favor lea la NOTA DE SEGURIDAD anterior. El control de sobrecarga evita que el motor opere si ocurriera una sobrecarga. Esta característica protege las instalaciones eléctricas de su casa y su triturador. Cuando se sobrecargue, el motor parará automáticamente.

Problema	Posibles causas	Qué hacer
Ruidos fuertes (diferentes a aquellos durante la trituración de huesos y pasteles de fruta)	Platería, tapas de botellas y otros objetos extraños que hayan caído en el interior del triturador.	<ul style="list-style-type: none"> Remueva el protector de salpicaduras* y remueva el objeto con un par de tenacillas o pinzas largas. Reemplace el protector de salpicaduras*.
El triturador no arranca	El botón de reposición se ha saltado.	<ul style="list-style-type: none"> Con el protector de salpicaduras* removido, inspeccione y cerciórese de que el mecanismo gira libremente usando un palo de escoba. Si gira libremente, reemplace el protector de salpicaduras* e inspeccione el botón de reajuste para ver si se disparó. El botón de reajuste es rojo y está localizado en el lado opuesto del codo de descarga, cerca del fondo del triturador. Empuje el botón hasta que haga clic y se quede hundido. Si el botón de reajuste no se ha disparado, inspeccione en búsqueda de algún corto circuito o algún alambre roto en la conexión del triturador. Inspeccione el interruptor eléctrico, la caja de fusibles o los interruptores. Si el cableado y los componentes eléctricos están intactos, es posible que la unidad tenga problemas internos que requieren ser reparados por un técnico o quizás sea necesario cambiar la unidad.
	La placa giratoria no puede rotar.	<ul style="list-style-type: none"> Si el mecanismo no gira libremente, inspeccione en búsqueda de algún objeto atascado entre el mecanismo girador y el aro de triturado. Desatasque el objeto moviendo el mecanismo con un palo de escoba. Entonces remueva el objeto. Si no hay ningún objeto extraño, puede que haya problemas internos.



Escape del triturador

Si el escape es en la parte superior, es posible que se deba a:

1. Instalación incorrecta de la brida del lavaplatos (tipo de empaque, masilla o apretado).
2. El aro de soporte no se apretó correctamente.
3. Montaje incorrecto del cojín.

Si el escape es en el codo de desechos, quizás se deba a un apretado no apropiado de los tornillos de la brida del codo.

* El modelo de alimentación por lote no incluye el protector de salpicaduras.

Garantía del Triturador Doméstico de Desechos de Alimentos.



Todos los servicios de garantía son brindados por nuestros centros de servicio de fábrica, o un técnico autorizado de Customer Care.® Para programar el servicio en línea 24 horas al día, visítenos al GEAppliances.com, o llame al 800.GE.CARES (800.432.2737).

Grape su recibo aquí. Usted necesitará una prueba de la fecha original de su compra para obtener servicio bajo la garantía.

Para el período de:	GE reemplazará:
Un año A partir de la fecha de la compra original	El triturador doméstico de desechos de alimentos será reemplazado en su totalidad si existe algún defecto en los materiales o en la fabricación relacionado con las partes funcionales solamente (excluyendo las partes de apariencia). Durante este año completo de garantía , GE también proporcionará, de manera gratuita , toda la mano de obra relacionada con el reemplazo del triturador, además de un triturador de reemplazo durante este primer año.
Un año adicional A partir de la fecha de la compra original	Línea de Modelos Serie GFC520: Si existe algún defecto en los materiales o en la fabricación relacionado con las partes funcionales solamente (excluyendo las partes de apariencia). Durante este año de garantía extendida limitada , usted será responsable por de todos los cargos de instalación relacionados con el reemplazo del triturador.
Dos años adicionales A partir de la fecha de la compra original	Línea de Modelos Serie GFC530: Si existe algún defecto en los materiales o en la fabricación relacionado con las partes funcionales solamente (excluyendo las partes de apariencia). Durante esta garantía extendida limitada de dos años , usted será responsable por de todos los cargos de instalación relacionados con el reemplazo del triturador.
Cuatro años adicionales A partir de la fecha de la compra original	Línea de Modelos Serie GFC720: Si existe algún defecto en los materiales o en la fabricación relacionado con las partes funcionales solamente (excluyendo las partes de apariencia). Durante esta garantía extendida limitada de cuatro años , usted será responsable por de todos los cargos de instalación relacionados con el reemplazo del triturador.
Seis años adicionales A partir de la fecha de la compra original	Línea de Modelos Serie GFC1020: Si existe algún defecto en los materiales o en la fabricación relacionado con las partes funcionales solamente (excluyendo las partes de apariencia). Durante esta garantía extendida limitada de seis años , usted será responsable por de todos los cargos de instalación relacionados con el reemplazo del triturador.

Lo que GE no cubrirá:

- Los viajes de servicio hacia su casa para enseñarle cómo usar el producto.
- Instalación inapropiada.
- Reemplazo de fusibles de su casa o reajuste del sistema de interruptores de su casa.
- Los fallos del producto si el mismo es abusado, usado inapropiadamente, o usado para propósitos no contemplados, o para usos comerciales.
- Daños al producto causados por un accidente, incendio, inundaciones o desastres naturales.
- Daños incidentales o consecuenciales causados por posibles defectos con este electrodoméstico.

Esta garantía se extiende al comprador original y a cualquier propietario que lo suceda para el caso de productos comprados para uso doméstico normal en los Estados Unidos. En Alaska, usted tendrá que pagar el flete del producto o los costos de viaje del técnico de servicio hasta su hogar.

Algunos estados no permiten la exclusión o limitación de daños incidentales o consecuenciales. Esta garantía le proporciona derechos legales específicos, y puede tener otros derechos que pueden variar de un estado a otro. Para conocer los derechos legales de su estado, consulte con su oficina local de asuntos del consumidor o al procurador general de su estado.

Garantidor: General Electric Company. Louisville, KY 40225

Free Manuals Download Website

<http://myh66.com>

<http://usermanuals.us>

<http://www.somanuals.com>

<http://www.4manuals.cc>

<http://www.manual-lib.com>

<http://www.404manual.com>

<http://www.luxmanual.com>

<http://aubethermostatmanual.com>

Golf course search by state

<http://golfingnear.com>

Email search by domain

<http://emailbydomain.com>

Auto manuals search

<http://auto.somanuals.com>

TV manuals search

<http://tv.somanuals.com>