

**FINAL APPROVAL:**

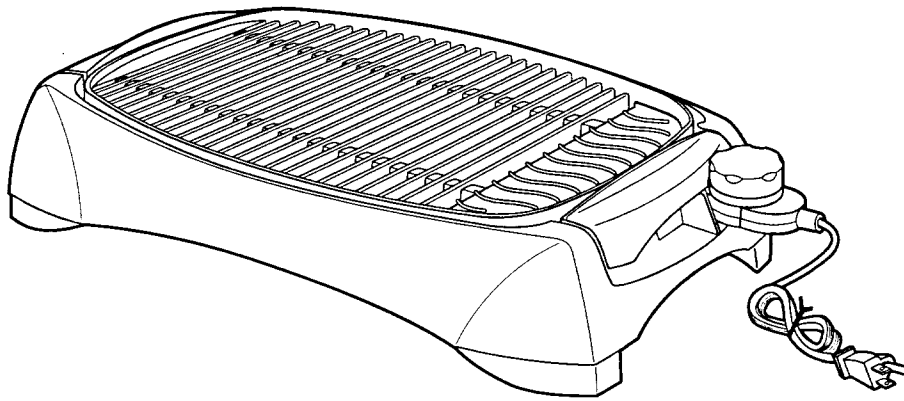
**DATE:**

AC

2/15/01



*Indoor/Outdoor Grill*



5 1/2" x 8 1/2"  
32 PAGES  
ENGLISH  
SPANISH  
BLACK  
INK  
NO BLEEDS  
SADDLE  
FLIP

<b>Grill Safety</b> .....	<b>2</b>	<b>How to Clean</b> .....	<b>5</b>
<b>Know Your Grill</b> .....	<b>3</b>	<b>Recipes</b> .....	<b>6</b>
<b>How to Grill</b> .....	<b>4</b>	<b>Customer Assistance</b> .....	<b>16</b>
<b>Grilling Chart</b> .....	<b>5</b>		

**For Customer Assistance Please Call: 1-877-207-0923**

840083500

**RECORD PRINT**

Issued On:

**FEB 15 2001**

SO  
SD

# Grill Safety

## IMPORTANT SAFEGUARDS

When using electrical appliances, basic safety precautions should always be followed, including the following:

1. Read all instructions. Keep these instructions for future use.
2. Do not touch hot surfaces. Use handles or knobs.
3. To protect against electrical shock, do not immerse cord assembly or plug in water or other liquid.
4. Close supervision is necessary when any appliance is used by or near children.
5. Unplug from outlet when not in use and before cleaning. Allow to cool before putting on or taking off parts and before cleaning the appliance and before moving the appliance.
6. Always attach plug to appliance first, then plug cord into the wall outlet. To disconnect, turn control to off (MIN) and remove plug from wall outlet.
7. Do not leave the appliance unattended when in use.
8. Do not operate any appliance with a damaged cord or plug, or after the appliance malfunctions, or is dropped or damaged in any manner. Call our toll-free customer assistance number for information on examination, repair, or electrical or mechanical adjustment.
9. Do not let cord hang over edge of table or counter, or touch hot surfaces, including the stove.
10. Do not place on or near a hot gas or electric burner, or in a heated oven.
11. Always use the appliance on a dry level surface.
12. Do not use appliance for other than intended use.
13. Use extreme caution when moving an appliance containing hot oil or other hot liquids.
14. Always unplug grill and then remove cord before attempting to move the grill.
15. The use of accessory attachments not recommended by appliance manufacturer may cause injuries.
16. Do not use without base in place. Clean after each use.
17. Fuel, such as charcoal briquettes, is not to be used with appliance.
18. Use only on properly grounded outlet.
19. When in operation, a fire may occur if the grill is touching or near flammable material, including curtains, draperies, walls, backsplashes, cabinets and the like.

## SAVE THESE INSTRUCTIONS!

### Consumer Safety Information

**This appliance is intended for household use only.**

This appliance is equipped with a grounded-type 3-wire cord (3-prong plug). This plug will only fit into an electrical outlet made for a 3-prong plug. This is a safety feature. If the plug should fail to fit, contact an electrician to replace the obsolete outlet. Do not attempt to defeat the safety purpose of the grounding pin, part of the 3-prong plug.

This appliance has a short cord to reduce hazards of becoming entangled or tripping

over a longer cord. A grounded-type 3 wire extension cord may be used if the electrical rating of the extension cord is equal to or greater than the rating of the electric grill. Use only an extension cord rated 15 amperes or greater. Care must be taken to arrange the extension cord so that it will not drape over countertop or tabletop where it can be pulled on by children or tripped over.

Do not leave this appliance unattended while in use.

**WARNING:** To reduce risk of fire do not allow flammable materials such as curtains, draperies, walls, cabinets, backsplashes and the like to touch any part of the grill or grilling surface when the grill is in operation. Place grill at least 6 inches away from walls, appliances, or any object that could be damaged by heat.

Do not put hot grill on countertop unless properly placed in base.

#### WHEN USING OUTDOORS

**CAUTION:** To ensure continued protection against risk of electric shock, connect to properly grounded outlets only.

#### WHEN USING AN EXTENSION CORD OUTDOORS

**CAUTION:** To reduce the risk of electric shock, keep extension cord connection dry and off the ground.

Outdoor extension cords should be used with outdoor use products and are surface marked with suffix letters "W-A" and with a tag stating "Suitable for Use with Outdoor Appliances."

Store unit indoors, out of reach of children.

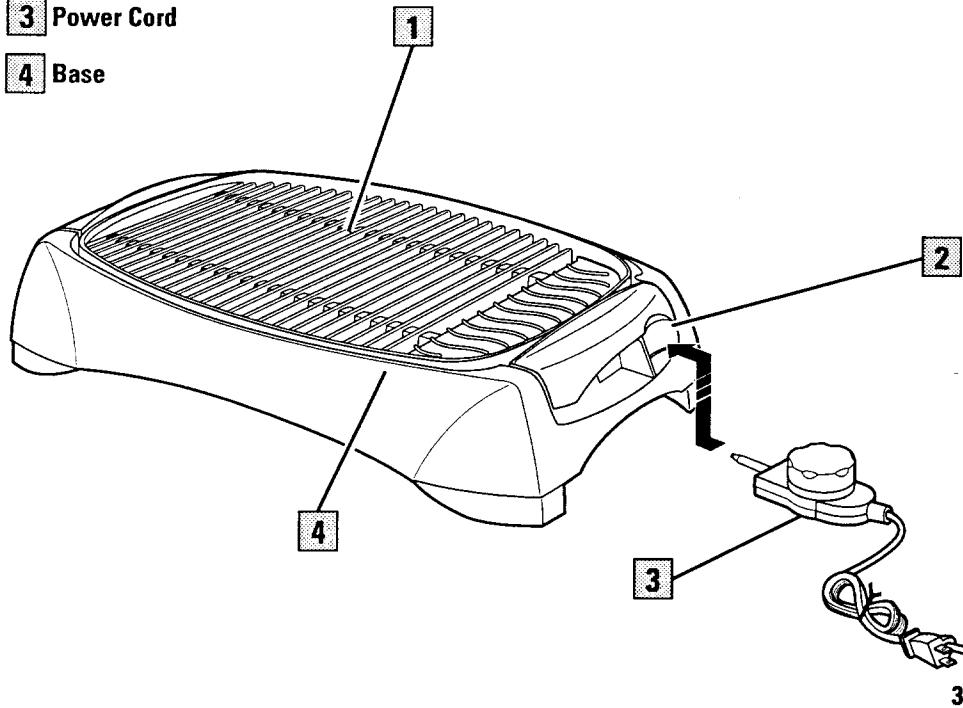
Do not clean this product with a water spray or the like.

## Know Your Grill

Before First Use: Wash the grill and base in hot, soapy water. Rinse and dry thoroughly. Do not immerse power cord in water or other liquid.

### Parts and Features

- 1 Grill
- 2 Cord Receptacle
- 3 Power Cord
- 4 Base



## How to Grill

1. Set base on countertop. Place grill on base correctly.
2. Plug power cord into the cord receptacle, then plug into outlet. The indicator light on the power cord will glow. The light will remain on as long as the unit is plugged in.
3. Preheat 5 to 10 minutes before grilling.
4. When finished grilling, turn control to MIN. Then remove plug from outlet, then from cord receptacle.
5. Let grill cool completely. Carefully dispose of any grease. Clean grill.

---

### Variable Heat Power Cord

- The variable heat power cord offers heat settings from 1 (low) to 4 (high). The recipes and cooking chart were developed using setting 4. The additional heat settings can be used for more versatile cooking options.
- Setting 3 is for thick cuts of meat or large pieces of bone-in chicken. This setting will assure thorough cooking without drying out the food.
- Start cooking at a higher setting then reduce heat if needed.
- Settings 1 and 2 should be used to keep food warm after it has been cooked.
- **Always make sure the power cord is turned to MIN and unplugged from wall outlet before inserting or removing the power cord.**

---

### Great Grilling Tips

- Please remember that your grill is coated with a nonstick surface and that plastic utensils should always be used.
- If grilling vegetables, fish, or lean meat, spray the grilling surface with a cooking spray. If grilling meat with any amount of fat, or if the food has been marinated, there is no need to treat the grill.
- For best results, preheat the grill for 5 to 10 minutes before grilling.
- Skewers are available in most large supermarkets. If using the disposable, wooden type skewers, soak the skewers in water at least 10 minutes before threading on food. This prevents the skewer from scorching and makes a more attractive presentation.
- If using a marinade with oil, place grill near an exhaust hood. Oil or fat will produce some smoke.

## Grilling Chart

Food	Approximate Time (Minutes)	Doneness Test
Bacon	4 to 8	Desired doneness
Steaks, beef ½-inch thick	8 to 15	Desired doneness
Pork chops, ½-inch thick	15 to 20	Generally, until no longer pink
Chicken breasts, boneless	25 to 30	Pierce with knife; juice runs clear
Hamburgers ½-inch thick	8 to 10	Until no longer pink
Sausage links or patties	12 to 15	Until no longer pink
Hot dogs	8 to 10	Hot through
Fish fillets	10 minutes per 1-inch thickness	Opaque and flakes with fork

## How to Clean

1. Let grill cool. Carefully dispose of any grease.
2. Wash the grill and base in hot, soapy water. Use a nylon or plastic scouring pad and a non-abrasive liquid cleanser. Do not use metal scouring pads.
3. Rinse and let dry.
4. The grill and base can also be washed in a dishwasher after cooling and disposing of any grease.

5. Never immerse the power cord in water or place in the dishwasher. To clean, wipe with a damp cloth.

**NOTE:** Do not leave the grill on in order to "burn off" any food or drippings that remain on the grill surface after cooking. In addition to causing unnecessary smoke, this can reduce the life of the nonstick coating and may present a fire hazard.

# Recipes



Indicates preparation and grilling times.

## Grilling Guidelines

- **Grilling Times:** Recipe cooking times are estimates. Cooking time will vary based on the temperature of the grill, the surrounding air, and the food itself. Watch food carefully while grilling and adjust the cooking time as necessary.
- **Marinating Tips:** Never marinate foods in metal containers for extended lengths of time (2 or more hours). The acids in foods can react with metal, causing an unpleasant taste. Instead, use glass, ceramic, or plastic bag containers for marinating.
- **Meat Safety Tip:** To reduce the risk of spoiling, store meat in the refrigerator until you're ready to cook. Never thaw or marinate meat at room temperature, especially in warm climates.
- Never use leftover marinade as a finishing sauce on cooked foods. The leftover marinade must first be boiled for one to two minutes to kill any bacteria from the raw food that was marinated.
- Although some cookbooks may say to bring your food to room temperature before cooking, with few exceptions, we don't recommend this tip for grilled foods. If the temperature is in the 80s or 90s, foods can spoil quickly.
- **Nonstick Grilling Tip:** Without the use of oil, certain foods will stick slightly to nonstick surfaces. This is easily prevented. Before turning on your grill, brush or spray the grids lightly with oil or nonstick cooking spray. (Never add oil or spray to a heated grill—this is dangerous.)
- Always read all safety information.

The following recipes are from *Grilling For Dummies*® by Marie Rama and John Mariani. Copyright© 1998 IDG Books Worldwide, Inc. All rights reserved. Reproduced here by permission of the publisher. "...For Dummies" is a registered trademark of IDG Books Worldwide, Inc.

Basic Burger (and Variation Section)  
 Western Beef Kabobs with Peppers  
 and Onions  
 Grilled Steak 101  
 Texas Beef Barbecue  
 Jerk-Seasoned Chicken Breasts  
 Spicy Chili Chicken Wings  
 Grilled Potato Planks  
 Grilled Tomatoes with Cumin Butter  
 Tomato Brushetta

---

## Basic Burger



Preparation time: 15 minutes

Grilling time: 14-20 minutes

Yield: 4 servings

1½ pounds ground chuck  
¼ teaspoon salt, or to taste

¼ teaspoon pepper  
4 hamburger buns

1. Combine the ground chuck, salt, and pepper in a medium mixing bowl, mixing lightly but thoroughly, using your hands. Shape the mixture into four patties, each ¾ inch thick in the center and at the edges. (Even thickness ensures even cooking and prevents the edges from drying out before the center is cooked.)
2. Place the patties on grill. Grill for 7 to 10 minutes per side, turning once. (According to the U.S. Department of Agriculture, all ground meat should be cooked to at least medium doneness—160°F—or until the center of the patty is no longer pink.) Make a small incision in the center of each patty to determine doneness.
3. Toast the buns by placing them, split side down, on the edges of the grill grid for about 1 minute or until lightly browned.
4. Remove the burgers from the grill and serve on toasted hamburger buns.

### Variation Section:

**Italian Burger:** Add the following ingredients to the ground meat mixture:

1 egg yolk, ¼ cup grated onion, 1 large clove garlic minced, 2 tablespoons chopped fresh basil or 2 teaspoons dried crushed basil, ½ teaspoon dried oregano, and salt and pepper to taste. Place grated Parmesan cheese on top of each burger (if desired) about 2 minutes before the burger is done and grill until the cheese melts.

**Mexican Burger:** Add the following ingredients to the ground meat mixture:

¼ cup finely chopped onion, ½ to 1 teaspoon seeded and chopped jalapeno pepper, ¾ teaspoon ground cumin, and salt and pepper to taste. Serve on toasted buns or in warmed tortillas with a prepared tomato salsa or taco sauce and slices of ripe avocado.

**Asian Spiced Burger:** Add the following ingredients to the ground meat mixture:

¼ cup finely chopped scallions, 3 tablespoons teriyaki sauce, 1 large clove garlic, minced, and salt and pepper to taste.

## Western Beef Kabobs with Peppers and Onions



Preparation time: 25 minutes

Marinating time: 6 hours or overnight

Grilling time: 14-16 minutes

Yield: 4 servings

1½ to 2 pounds sirloin, or other tender beef such as top loin or round tip steak	6 tablespoons vegetable oil
2 medium red peppers	3 cloves garlic, peeled and coarsely chopped
1 medium onion	1 to 2 large jalapeno peppers, seeded and chopped
½ cup apple juice, divided	¼ teaspoon cumin
6 tablespoons lime juice (about 3 large limes)	1½ teaspoons chili powder
1½ teaspoons grated lime peel	½ teaspoon paprika
	Salt and pepper to taste
	2 tablespoons butter

1. Working on a cutting board, trim all visible fat from the beef; cut the meat into cubes of about 1½ inches. Place the cubes in a large, resealable plastic bag or other non-reactive container.
2. Core and seed the red peppers and slice them into strips about 1½ inches wide; slice each strip crosswise into 1- to 2-inch pieces. Cut the onion in half lengthwise and remove the skin. Cut each half into thirds break them apart into slices. Place the peppers and onions in the bag or container with the beef cubes.
3. Combine 6 tablespoons of the apple juice with the lime juice, grated lime peel, oil, garlic, jalapeno peppers, cumin, chili powder, and paprika, in a blender container, whirl the mixture for a few seconds into a coarse puree. Pour the resulting marinade over the beef and vegetables, seal the bag or cover the container, and refrigerate for at least 6 hours or overnight, turning occasionally.
4. Remove the beef from the marinade. Reserve any remaining marinade and place in a small saucepan. Thread 3 to 4 beef cubes, alternating with pieces of pepper and onion, on skewers. (Soak wooden skewers in water for at least 30 minutes to prevent them from burning.) Sprinkle kabobs with salt and pepper.
5. Place skewers on grill. Grill the kabobs for about 14 to 16 minutes for medium, turning every 5 to 6 minutes.
6. As the kabobs grill, bring the marinade in the saucepan to a boil over high heat on top of the stove, reduce heat and simmer for 1 minute. Whisk in 2 tablespoons butter and 2 tablespoons of the remaining apple juice. Spoon sauce over the grilled kabobs just before serving.



---

## Grilled Steak 101



Preparation time: 5 minutes

Grilling time: 35-45 minutes

Yield: 4 servings

2 tablespoons olive oil  
 2 boneless sirloin beef steaks,  
 cut 1-inch thick (about 2 pounds total)

1 clove garlic, crushed  
 Salt and pepper to taste

1. In a small bowl, combine the olive oil and garlic. Generously rub or brush the flavored oil on both sides of the steaks. Sprinkle the steaks lightly with salt and pepper.
2. Place the steaks on the grill. Grill 35 to 45 minutes for medium doneness, turning every 15 minutes.
3. Remove the steaks from the grill, cover loosely with foil and let the steaks rest for a few minutes before thinly slicing across the grain. Season with salt and additional pepper (if desired) before serving.

---

## Texas Beef Barbecue



Preparation time: 10 minutes

Marinating time: 3 hours or overnight

Grilling time: 35-45 minutes for medium-rare

Yield: 4 servings

1 cup bottled chili sauce  
 1 teaspoon ground cumin  
 ½ cup beer  
 ½ teaspoon dried red pepper flakes  
 ⅓ cup vegetable oil

¼ cup finely chopped green onion  
 (white and green parts)  
 1 boneless beef top round steak,  
 cut 1-inch thick (about 1½ to 2 pounds)  
 3 tablespoons chili powder  
 Salt to taste (optional)

1. In a medium bowl, make the marinade by combining all the ingredients except the steak.
2. Place the steak in a glass baking dish or a large, resealable plastic bag. Pour the marinade over the steak, turning to coat. Cover the dish or seal the bag, pressing out as much air as possible. Refrigerate 3 hours or overnight.
3. Remove the steak from the marinade, shaking off any excess. Discard the marinade, if desired, sprinkle the steak with salt. Place the steak on the grill and grill 35 to 45 minutes for medium doneness, turning every 15 minutes.
4. Transfer the steak to a cutting board and let stand for 5 minutes, loosely covered with foil. Thinly slice across the grain.

## Jerk-Seasoned Chicken Breast



Preparation time: 15 minutes  
 Marinating time: 6 hours or overnight  
 Grilling time: 30-35 minutes  
 Yield: 4 to 6 servings

8 boneless, skinless chicken breast halves (about 2 or 3 pounds)	1 small jalapeno pepper, seeded and finely chopped
¼ cup vegetable oil	1 teaspoon brown sugar, packed
¼ cup orange juice	½ teaspoon kosher salt, or to taste
3 scallions, finely chopped (green and white parts)	½ teaspoon ground allspice
4 medium cloves garlic, peeled and finely chopped	½ teaspoon dried leaf thyme
2 tablespoons lime juice	½ teaspoon cinnamon
2 tablespoons soy sauce	¼ teaspoon cayenne pepper
	¼ teaspoon nutmeg

1. Trim the breasts of any loose fat; rinse them under cold running water and pat dry with paper towels.
2. In a medium bowl, combine the remaining ingredients, beating with a fork or whisk to incorporate the spices into the oil and orange juice.
3. Place the breasts in a large, resealable plastic bag or shallow dish; pour the marinade over the breasts. Seal the bag, pressing out any air, or cover the dish; refrigerate 6 hours or overnight, turning occasionally to coat the breasts in the marinade.
4. Remove the chicken breasts from the marinade; discard the marinade. Place the chicken breasts on the grill. Grill 30 to 35 minutes or until done, turning every 10 minutes. To test for doneness, cut into the breasts; the meat should be white and moist, with no sign of pink.

## Spicy Chili Chicken Wings



Preparation time: 20 minutes  
 Marinating time: 2 to 4 hours  
 Grilling time: 25-30 minutes  
 Yield: 4 main dish servings or 8 to 10 appetizer servings

3 to 3½ pounds chicken wings (about 15 to 18 wings)	2 teaspoons paprika
3 tablespoons olive oil	1 teaspoon peeled and grated ginger
3 tablespoons fresh lime juice	1 teaspoon salt, or to taste
4 large cloves garlic, peeled and minced	½ teaspoon hot chili powder or cayenne pepper
2 teaspoons ground cumin	½ teaspoon cinnamon
2 teaspoons ground coriander	

1. Rinse the chicken wings under cold running water and pat dry with paper towels. Cut off the wing tips at the joints and discard the tips. (Or wrap and freeze tips to use later to add flavor to canned or homemade soups and stocks.)

2. Combine all the remaining ingredients in a large, resealable plastic bag or mixing bowl, blending them well.
3. Add the chicken wings; toss well to coat the wings in the oil-spice mixture. Seal the bag, pressing out any air, or cover the bowl; refrigerate for 2 to 4 hours.
4. Place the wings on the grill. Grill for 25 to 30 minutes or until done, turning with tongs every 10 minutes to prevent burning and to ensure even cooking. To test for doneness, cut into the thickest part of the wing, the meat should be white, with no trace of pink and the juices should run clear.

---

## Grilled Potato Planks



Preparation time: 15 minutes

Marinating time: 30 minutes to 1 hour

Grilling time: 15 minutes

Yield: 4 servings

- |   |  |
|---|--|
| 4 medium potatoes (about 1½ pounds total), scrubbed | 1 teaspoon dried marjoram, oregano, or dill      |
| 6 tablespoons extra-virgin olive oil                | ½ teaspoon Tabasco sauce, or to taste            |
| 1½ tablespoons white wine vinegar                   | ½ teaspoon kosher salt (or table salt), to taste |
| 2 cloves garlic, peeled and finely minced           | Pepper to taste                                  |

1. Cut the potatoes lengthwise into ½-inch-thick slices. Place the slices in a medium saucepan with enough lightly salted water to cover. Cover the pan and bring to a boil. Boil for 5 minutes or until nearly tender when pierced with the blade of a thin, sharp knife; drain thoroughly. Place the potatoes in a large, shallow baking dish.
2. Make the marinade by combining the remaining ingredients; pour the marinade over the warm potato slices, turning to coat. Cover and let stand for 30 minutes to 1 hour.
3. Before grilling, brush both sides of the potatoes with the marinade, being sure to include bits of garlic and herb. Place the potatoes on the grill and grill until lightly browned for 6 to 8 minutes. Turn and grill until lightly browned and crisp on the second side 6 to 8 minutes more. If desired, season before serving with additional salt and pepper and Tabasco sauce.

## Grilled Tomatoes with Cumin Butter



Preparation time: 10 minutes

Grilling time: 5-6 minutes

Yield: 4 servings

2 ½ tablespoons butter  
1 teaspoon ground cumin

Salt and pepper to taste  
2 large, firm ripe tomatoes, sliced  
about ¾-inch thick

1. Melt the butter in a small saucepan; remove from heat and stir in the cumin and salt and pepper.
2. Brush the tomato slices on one side with half of the cumin butter. Place them, brushed side down, on the grill and grill for 2 to 3 minutes or until very lightly browned on one side.
3. Brush the tops of the tomatoes with the remaining cumin butter. Turn and grill for 2 to 3 minutes more or until very lightly browned, but not falling apart.

## Tomato Bruschetta



Preparation time: 15 minutes

Grilling time: 4 minutes

Yield: 6 to 8 appetizer servings

2 large red ripe tomatoes (about  
1¼ pounds), cored, seeded, and diced  
½ cup coarsely chopped fresh basil  
2 tablespoons peeled and diced  
red onion, (optional)  
About ¼ cup extra-virgin olive oil, divided

1 clove garlic, peeled and minced  
1 teaspoon balsamic or red wine vinegar  
Salt and pepper  
12 slices crusty French bread, cut  
diagonally, about ¾ inch thick  
3 cloves garlic, peeled and halved

1. In a small bowl, combine the tomatoes, basil, red onion (if desired), 2 tablespoons of the olive oil, the minced garlic, vinegar, and salt and pepper. Cover and let stand at room temperature for at least 30 minutes but not longer than 2 hours.
2. Place the bread slices on the grill. Grill for 4 to 5 minutes or until the bread is lightly toasted and golden on both sides, turning once.
3. Remove and immediately rub the edges and one side of each slice with a garlic clove half. (Use a half clove for every 2 slices.) Drizzle about ½ teaspoon of olive oil onto the garlic-rubbed side of each slice.
4. Stir the tomato mixture with a large spoon to thoroughly moisten; top each bread slice with about 1½ tablespoons of the tomato mixture. Place on a platter and serve immediately.

## Plum Fancy Pork Swords

Recipe Courtesy of the National Pork Producers Council



Preparation time: 10 minutes

Marinating time: 1 hour

Grilling time: 10 minutes

Servings: 4

### Nutritional Information Per Serving

Serving Size: 1	
Nutrient	Per Serving
Calories	183
Total Fat	5g
Cholesterol	44mg
Sodium	1340mg
Protein	19g

4 bamboo skewers (soak in water before using)  
 $\frac{3}{4}$  pound ham, fully cooked, cut into 1-inch cubes

$\frac{1}{4}$  cup plum preserves  
 1 tablespoon Dijon-style mustard  
 1 teaspoon lemon juice, fresh  
 $\frac{1}{4}$  teaspoon cinnamon

Place ham in shallow bowl. Combine remaining ingredients in small pan. Heat until dissolved. Pour sauce over ham. Marinate for 1 hour. Place cubes on bamboo skewers that have been soaked in water. Grill for 10 minutes, turning skewers frequently and basting ham with sauce. Discard any leftover sauce.

## Caribbean Pork Kabobs

Recipe Courtesy of the National Pork Producers Council



Preparation Time: 10 minutes

Cooking Time: 18-20 minutes

Servings: 4

### Nutritional Information Per Serving

Serving Size: 3 oz.	
Nutrient	Per Serving
Calories	148
Total Fat	4g
Cholesterol	67mg
Sodium	60mg
Protein	23g


1 pound pork tenderloin, cut into 1-inch cubes  
 $\frac{1}{2}$  cup orange juice  
 $\frac{1}{4}$  cup lime juice  
 2 tablespoons brown sugar

$\frac{1}{2}$  teaspoon thyme  
 $\frac{1}{4}$  teaspoon ground nutmeg  
 $\frac{1}{4}$  teaspoon ground cloves  
 $\frac{1}{8}$  teaspoon ground cayenne pepper

Combine all ingredients in a self-sealing plastic bag; seal bag and refrigerate 2 to 24 hours. Remove cubes from marinade; discarding leftover marinade. Thread cubes evenly onto four skewers (if using wooden skewers, soak them in water for an hour before using to prevent burning). Grill 18 to 20 minutes, turning often, until nicely browned. Serve with hot rice and kabobs of grilled fruit and pepper chunks, if desired.

## Heartland Barbecue Pork Chops

Recipe Courtesy of the National Pork Producers Council

 Preparation Time: 5 minutes  
 Cooking Time: 30 minutes  
 Servings: 4

### Nutritional Information Per Serving

Serving Size: 1	
Nutrient	Per Serving
Calories	371
Total Fat	11g
Cholesterol	104mg
Sodium	382mg
Protein	39g


4 pork chops, bone-in or boneless,  
 about 1¼ inch thick  
 ½ cup bottled barbecue sauce  
 ⅓ cup honey

1 tablespoon Worcestershire sauce  
 1 teaspoon prepared mustard  
 Dash hot pepper sauce

For sauce, mix all ingredients except pork chops together in a small bowl. Place pork chops on the grill. Grill chops for about 10 minutes, until nicely browned on one side; turn and brush liberally with sauce. Grill for 10 minutes more; turn and brush with more sauce. Grill for 5 to 10 minutes more, turning and brushing with sauce. Discard any leftover sauce. Serve chops immediately.

## Southwestern Grilled Pork Tenderloin

Recipe Courtesy of the National Pork Producers Council

 Marinating time: 2 to 24 hours  
 Preparation time: 10 minutes  
 Cooking time: 50-55 minutes  
 Servings: 6

### Nutritional Information Per Serving

Serving Size: 3 oz.	
Nutrient	Per Serving
Calories	154
Total Fat	5g
Cholesterol	66mg
Sodium	141mg
Protein	26g

2 whole pork tenderloins,  
 about 1½ pounds total  
 5 teaspoons chili powder  
 1½ teaspoons oregano

¼ teaspoon ground cumin  
 2 garlic cloves, crushed  
 1 tablespoon vegetable oil

In a small bowl, mix well all seasonings and vegetable oil. Rub mixture over all surfaces of tenderloins. Cover and refrigerate 2 to 24 hours. Grill, turning occasionally, for 50 to 55 minutes, until thermometer inserted reads 155 to 160°F. Pork is done when there is still a hint of pink in the center. Slice to serve.

---

## Spicy Grilled Shrimp

½ cup soy sauce	2 tablespoons fresh minced ginger
1 tablespoon olive oil	2 teaspoons dry mustard
1 tablespoon sesame oil	2 teaspoons hot pepper sauce
5 tablespoons cajun seasoning mix	32 large raw shrimp, peeled and deveined, but tails on
2 tablespoons fresh lemon juice	

Combine all ingredients except shrimp. Mix well then add shrimp. Marinate 1 to 4 hours. Drain marinade and discard. Place shrimp on grill and cook 2 minutes. Turn and cook 2 minutes longer or until done.

---

## Sesame Soy Sea Scallops

1 tablespoon sesame oil	¼ teaspoon ground ginger
2 tablespoons white wine	Dash garlic salt
¼ cup tamari sauce or soy sauce	Dash pepper
1 teaspoon crushed garlic	1 pound sea scallops

Combine all ingredients and let marinate in refrigerator for 30 minutes to 1 hour. Thread onto skewers. Place on grill and cook for 5 minutes or until done. Turn halfway through cooking time. **Makes 4 servings.**

---

## Crispy Grilled Sea Trout

¼ cup bread crumbs	1 teaspoon tarragon
1 tablespoon dried parsley	1 egg white
1 teaspoon garlic salt	¼ pound sea trout

Combine bread crumbs, parsley, garlic salt, and tarragon; set aside. Beat egg white with fork or whisk until frothy. Dip fish in egg white then coat with bread crumb mixture. Place on grill and cook 5 minutes. Turn and cook 5 minutes more or until done. **Makes 2 servings.**

---

## Salmon with Dill

½ pound salmon steak	1 teaspoon dill weed
1 tablespoon lime juice	

Brush salmon with lime and sprinkle with dill weed. Spray grill with cooking spray. Cook salmon 4 minutes. Turn and cook 4 minutes or until done. **Makes 2 servings.**

---

## Mahi Mahi with Ginger and Dill

¼ cup lime juice	¼ teaspoon fresh grated ginger root
¼ teaspoon black pepper	¼ teaspoon dill weed
	¼ pound mahi mahi (or monkfish)

Combine lime juice, pepper, ginger root, and dill weed. Marinate fish in this mixture for 2 hours. Place on grill and cook 5 minutes. Turn and cook 5 minutes more or until done. **Makes 2 servings.**

# Customer Assistance

If you have a claim under this warranty, please call our Customer Assistance Number. For faster service please have model, series, and type numbers ready for operator to assist you. These numbers can be found on the back of the power cord.

**MODEL:** \_\_\_\_\_ **TYPE:** \_\_\_\_\_ **SERIES:** \_\_\_\_\_

**Customer Assistance Number: 1-877-207-0923**

**Keep this number for future reference!**

**E-mail inquiries: [www.wal-mart.com](http://www.wal-mart.com)**

## Two-Year Limited Warranty

### What does your warranty cover?

- Any defect in material or workmanship.

### For how long after the original purchase?

- Two years.

### What will we do?

- Provide you with a new, or at our option, a reconditioned unit.
- The exchange unit is warranted for the remainder of your product's original two-year warranty period.

### How do you make a warranty claim?

- Save your receipt.
- Properly pack your unit. We recommend using the original carton and packing materials.
- Return the product to your nearest WAL\*MART store or call Customer Assistance at 1-877-207-0923.

### What does your warranty not cover?

- Glass parts, glass containers, cutter/strainer, blades and/or agitators.
- Commercial use or any other use not found in printed directions.
- Damage from misuse, abuse, or neglect.
- Products purchased or serviced outside the USA.

### How does state law relate to this warranty?

- This warranty gives you specific legal rights, and you may also have other rights which vary from state to state.
- WAL\*MART expressly disclaims all responsibility for consequential damages or incidental losses caused by use of this appliance. Some states do not allow this exclusion or limitation of incidental or consequential losses so the foregoing disclaimer may not apply to you.

### What if you purchased your product in the U.S., Canada or Mexico and encounter a problem while using it outside the country of purchase?

- The warranty is valid only in the country of purchase and if you follow the warranty claim procedure as noted.



is a trademark of  
General Electric Company  
and is used under license by  
WAL\*MART Stores, Inc.  
Bentonville, AR 72716

840083500

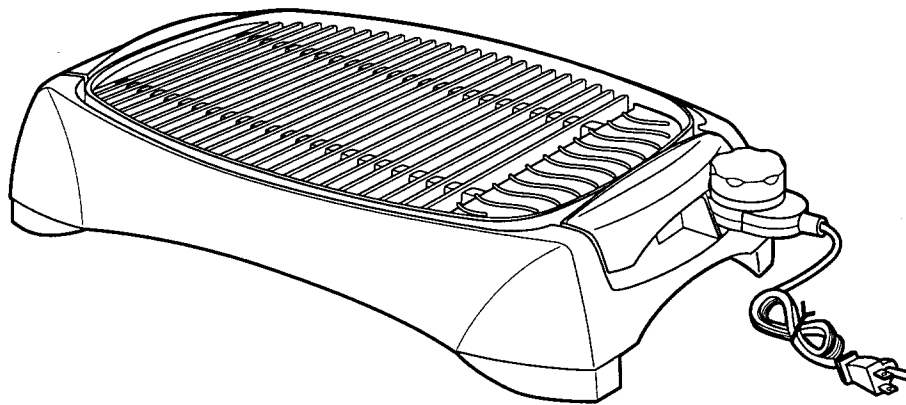
WAL\*MART Stores, Inc.  
Bentonville, AR 72716

2/01





## Parrilla Interior/Exterior



<b>Instrucciones de seguridad para la parrilla.....</b>	<b>2</b>	<b>Tabla de tiempos de cocción .....</b>	<b>5</b>
<b>Conozca su parrilla .....</b>	<b>3</b>	<b>Limpieza .....</b>	<b>5</b>
<b>Cómo asar a la parrilla .....</b>	<b>4</b>	<b>Recetas .....</b>	<b>6</b>
		<b>Asistencia al cliente .....</b>	<b>16</b>

**Para comunicarse con Asistencia al Cliente, llame al: 1-877-207-0923**

840083500

# Instrucciones de seguridad para la parrilla

## SALVAGUARDIAS IMPORTANTES

Cuando use aparatos eléctricos, es importante seguir todas las precauciones básicas de seguridad que incluyen lo siguiente:

1. Lea todas las instrucciones. Guárdelas para referencia futura.
2. No toque superficies calientes. Use las manijas o las perillas.
3. Para protegerse contra el riesgo de choque eléctrico, no sumerja la unidad del cordón o el enchufe en agua ni en ningún otro líquido.
4. Es necesario que haya buena supervisión cuando los niños utilicen un aparato o cuando éstos se estén utilizando cerca de niños.
5. Desenchúfelo del tomacorriente cuando no lo esté usando y antes de la limpieza. Deje que se enfríe antes de colocar o sacar alguna pieza, antes de limpiarlo o mover el aparato.
6. Siempre coloque el enchufe en el aparato primero y luego enchufe el cordón con el enchufe en el tomacorriente. Para desconectar, coloque el control en la posición apagada (OFF) (MIN) y saque el enchufe del tomacorriente.
7. No deje el aparato sin supervisión cuando esté funcionando.
8. No opere ningún aparato electrodoméstico si el cordón o el enchufe están averiados, después de un mal funcionamiento del aparato, o si éste se ha caído o averiado de alguna forma. Llame a nuestro número de llamada gratis de servicio al cliente, para obtener información sobre el examen, la reparación o la regulación eléctrica o mecánica del aparato.
9. No deje que el cordón cuelgue sobre el borde de una mesa o de un mostrador, ni toque ninguna superficie caliente, incluyendo la superficie de una cocina.
10. No coloque el aparato sobre o cerca de una fuente de gas caliente o un quemador eléctrico, ni dentro de un horno calentado.
11. Siempre use el aparato sobre una superficie seca y nivelada.
12. No use el aparato electrodoméstico para ningún otro fin que no sea el indicado.
13. Es importante tener extremo cuidado cuando se mueva un aparato electrodoméstico que contenga aceite caliente u otros líquidos calientes.
14. Siempre desenchufe la parrilla y luego retire el cordón antes de tratar de moverla.
15. El uso de accesorios no recomendados por el fabricante del aparato puede causar lesiones.
16. No lo use sin la base colocada en su lugar. Limpie después de cada uso.
17. No se debe usar combustible como briquetas de carbón con este aparato.
18. Use solamente con un tomacorriente debidamente conectado a tierra.
19. Cuando esté funcionando, puede ocurrir un incendio si la parrilla toca o se encuentra cerca de materiales inflamables, incluyendo cortinas, persianas, paredes, placas posteriores, armarios y artículos similares.

## ¡GUARDE ESTAS INSTRUCCIONES!

### Información para la seguridad del consumidor

**Este aparato ha sido diseñado solamente para uso doméstico.**

Este aparato viene equipado con un cordón trifilar con conexión a tierra (enchufe de 3 puntas). Este tipo de enchufe encajará solamente en un tomacorriente hecho para un enchufe de 3 puntas. Esta es una

propiedad de seguridad. Si el enchufe no encaja, comuníquese con un electricista competente para cambiar el tomacorriente obsoleto. No trate de hacer caso omiso del propósito de seguridad de la clavija de tierra [modificando] el enchufe de 3 puntas de alguna manera.

Este apartado posee un cordón corto para reducir el peligro de engancharse o tropezarse con cordones largos. Se puede usar un cordón de alargue trifilar con conexión a tierra si la clasificación eléctrica del cordón de alargue es equivalente o mayor a la clasificación de la parrilla eléctrica. Use solamente un cordón de alargue de clasificación para 15 amperios o mayor. Es importante asegurarse de colocar el cordón de alargue de manera que no se pliegue sobre la encimera de la mesa o del armario en donde niños puedan tirar del mismo o tropezarse.

No deje este aparato sin supervisión cuando esté funcionando.

**ADVERTENCIA:** Para reducir el riesgo de incendio no permita que materiales inflamables como cortinas, persianas, paredes, armarios, placas posteriores y artículos similares toque ninguna parte de la parrilla o de la superficie para asar cuando la parrilla esté funcionando. Coloque la parrilla por lo menos a 6 pulgadas de las paredes, aparatos o de otros objetos que se puedan perjudicar debido al calor.

No coloque una parrilla caliente sobre una encimera a menos que esté apoyado debidamente sobre una base.

#### **CUANDO USE AL AIRE LIBRE:**

**PRECAUCIÓN:** Para asegurarse de estar continuamente protegido contra el riesgo de un choque eléctrico, conecte solamente a un tomacorriente debidamente puesto a tierra.

#### **CUANDO USE UN CORDÓN DE ALARGUE AL AIRE LIBRE**

**PRECAUCIÓN:** Para reducir el riesgo de choque eléctrico, mantenga la conexión del cordón de alargue seca y no en contacto con el suelo.

Los cables de extensión de exterior deben emplearse con productos de uso exterior y tienen la superficie marcada con los sufijos "W-A" y además llevan una etiqueta que indica "Apropiado para uso con electrodomésticos de exterior."

Guarde el aparato bajo techo, fuera del alcance de los niños.

No limpie este producto con rociadores de agua o algo similar.

## *Conozca su parrilla*

Antes del primer uso: Lave la parrilla y la base en agua caliente y jabonosa. Enjuague y seque bien. No sumerja el cordón de corriente en agua ni en ningún otro líquido.

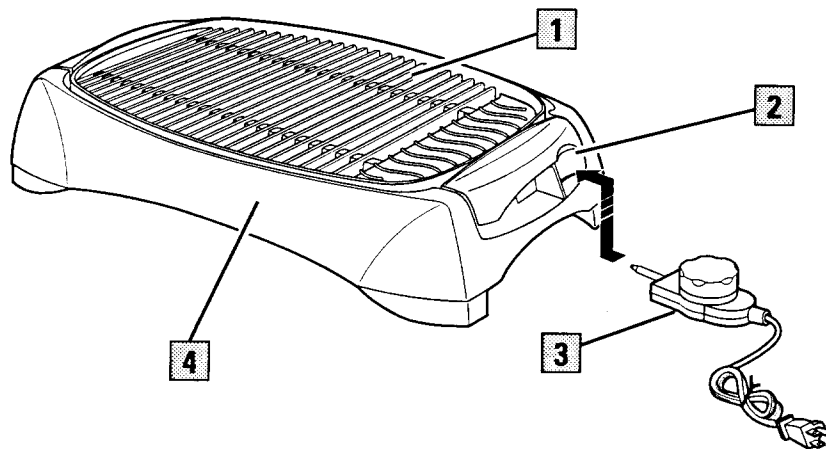
### **Piezas y Propiedades**

**1** Parrilla

**3** Cordón de corriente

**2** Receptáculo para el cordón

**4** Base



3

# Cómo asar a la parrilla

1. Coloque la base sobre la encimera. Coloque la parrilla correctamente sobre la base.
2. Enchufe el cordón de corriente en el receptáculo del cordón y luego enchúfelo en el tomacorriente. La luz indicadora en el cordón de corriente se iluminará. La luz permanecerá encendida mientras la unidad esté enchufada.
3. Precaliente entre 5 y 10 minutos antes de asar.
4. Cuando haya terminado de asar, gire el control a MIN. Luego saque el enchufe del tomacorriente y luego del receptáculo del cordón.
5. Deje que la parrilla se enfríe completamente. Elimine toda la grasa con cuidado. Limpie la parrilla.

## Cordón de corriente de calor variable

- El cordón de corriente de calor variable ofrece graduaciones de calor de 1 (baja) a 4 (alta). Las recetas y cuadro de cocción fueron desarrollados usando la graduación 4. Las graduaciones adicionales de calor se pueden usar para opciones de cocción más versátiles.
- La graduación 3 es para cortes gruesos de carne o trozos grandes de pollo con hueso. Esta graduación garantiza que la comida esté bien cocida sin quedar seca.
- Comience a cocinar a una graduación más alta y luego reduzca el calor si se requiere.
- Las graduaciones 1 y 2 se deben usar para mantener la comida caliente después de haberla cocinado.
- Siempre asegúrese de que el cordón de corriente esté colocado en MIN y desenchufado del tomacorriente antes de introducirlo o sacarlo.

## Sugerencias para obtener resultados excelentes al asar a la parrilla

- Recuerde que su parrilla viene revestida con una superficie antiadherente y es importante usar siempre utensilios de plástico.
- Si asa verduras, pescado o carnes magras, rocíe la superficie de la parrilla con aceite de cocina en aerosol. Si asa carnes con cierta cantidad de grasa, o si los alimentos se han marinado, no habrá necesidad de preparar la parrilla.
- Para obtener los mejores resultados, precaliente la parrilla entre 5 y 10 minutos antes de asar.
- Los pinchos para brocheta se pueden comprar en la mayoría de los supermercados. Si usa pinchos de madera de tipo descartable, sumérjalos en agua por unos 10 minutos antes de pinchar los alimentos. Esto evita que el pincho se queme y hace que la presentación sea más atractiva.
- Si usa un adobo hecho con aceite, coloque la parrilla cerca de una campana de humo ya que el aceite y la grasa producen bastante humo.

## Tabla de tiempos de cocción

Alimento	Tiempo Aproximado (Minutos)	Prueba de Grado de Cocción
Tocino	4 a 8	Grado deseado
Filete de carne vacuna, grosor de ½ pulgada	8 a 15	Grado deseado
Costillas de cerdo, grosor de ½ pulgada	15 a 20	Generalmente, hasta que no estén rosadas
Pechugas de pollo, sin hueso	25 a 30	Pinchar con un cuchillo; el jugo es transparente
Hamburguesas, grosor de ½ pulgada	8 a 10	Hasta que ya no estén rosadas
Salchichas o croquetas	12 a 15	Hasta que ya no estén rosadas
Perros calientes	8 a 10	Bien calientes
Filetes de pescado	10 minutos por 1 pulgada de grueso	Opacos y se desmenuzan con el tenedor

## Limpieza

- Deje que la parrilla se enfríe. Elimine toda la grasa con cuidado.
- Lave la parrilla y la base en agua caliente y jabonosa. Use una esponjilla de nilón o de plástico y un producto de limpieza líquido no abrasivo. No use esponjillas metálicas.
- Enjuague y deje que se seque.
- La parrilla y la base también se pueden lavar en el lavavajillas después de haberlas dejado enfriar y de haber eliminado la grasa.
- Nunca sumerja el cordón de corriente en agua ni lo coloque en el lavavajillas. Utilice un paño húmedo para limpiarlo.

**NOTA:** No deje la parrilla encendida para “quemar” los restos de alimentos o grasa asada que hayan permanecido en la superficie de la parrilla después de asar. Además de provocar una cantidad de humo innecesaria, ésto puede reducir la vida útil del revestimiento antiadherente y además resultar en un riesgo de incendio.

# Recetas



Indica los tiempos de preparación y de cocción.

## Directivas para asar a la parrilla

- **Tiempos de cocción:** Los tiempos de cocción indicados en las recetas son estimaciones solamente. Los tiempos de cocción variarán en base a la temperatura de la parrilla, el aire circundante, y el tipo de producto que se cocine. Es importante supervisar la comida mientras se esté asando a la parrilla y ajustar el tiempo de cocción según sea necesario.
- **Consejos para marinar:** Nunca deje marinar alimentos en recipientes metálicos por un período de tiempo largo (2 o más horas). Los ácidos presentes en los alimentos pueden reaccionar con el metal y causar un sabor desagradable. Le recomendamos que use recipientes de vidrio, cerámica o bolsas de plástico para marinar.
- **Consejo de seguridad cuando cocine carnes:** Para reducir el riesgo de que la carne se estropee, guárdela en el refrigerador hasta el momento en que vaya a cocinar. Nunca descongele ni deje marinar la carne a temperatura ambiente, especialmente en climas cálidos.
- Nunca use el adobo que haya quedado después de marinar como salsa para agregar a los alimentos asados. Los restos del adobo se deben hervir primero durante uno o dos minutos para eliminar las bacterias que puedan haber quedado de los alimentos crudos que se estaban marinando.
- Aunque ciertos libros de cocina pueden indicar que los alimentos deben estar a temperatura ambiente antes de cocinarlos, con pocas excepciones, nosotros no hacemos esta recomendación para los alimentos asados. Si la temperatura se encuentra entre los 80 y 90 grados Fahrenheit, los alimentos se pueden estropear con rapidez.
- **Consejo para asar sin que los alimentos se adhieran:** Sin usar aceite, ciertos alimentos se adherirán un poco a las superficies antiadherentes. Esto se puede evitar con facilidad. Antes de encender la parrilla, pinte o rocíe las rejillas con un poco de aceite o con un aerosol antiadherente de cocina. (Nunca agregue aceite ni rocíe una parrilla que ya esté caliente — ésto es peligroso).
- Siempre lea toda la información sobre la seguridad.

Las siguientes recetas son del libro de Marie Rama y John Mariani titulado *Grilling for Dummies*®. Copyright© 1998 IDG Books Worldwide, Inc. Todos los derechos reservados. La reproducción de las recetas en este folleto se ha hecho con el permiso del editor. ".... For Dummies" es una marca registrada de IDG Books Worldwide, Inc.

Hamburguesas básicas (e ideas de "Variaciones")  
 Brochetas rancheras de carne con pimientos rojos y cebollas  
 Filete de carne asada 101  
 Barbacoa de bife tejana  
 Pechugas de pollo al charqui  
 Alitas de pollo en chile picante  
 Planchas de papa a la parrilla  
 Tomates a la parrilla, con mantequilla al comino  
 Bruschetta de tomate

## Hamburguesas básicas



Tiempo de preparación: 15 minutos

Tiempo de asado: 14-20 minutos

Resultado: 4 porciones

1½ libras de carne de cuarto delantero molida  
¼ cucharadita de sal o a gusto

¼ cucharadita de pimienta  
4 bolillos para hamburguesa

1. Combine la carne molida, la sal y la pimienta en un tazón tamaño mediano, y mezcle ligeramente pero bien, usando las manos. Moldee la mezcla en cuatro croquetas, cada una de un grosor de ¾ pulgada en el centro y en los bordes. (El grosor uniforme asegura una cocción uniforme y evita que los bordes se sequen antes de que el centro se haya cocinado).
2. Coloque las hamburguesas en la parrilla. Ase entre 7 y 10 minutos de cada lado, dando vuelta una sola vez. (Según el Ministerio de Agricultura de los Estados Unidos, la carne molida se debe asar por lo menos hasta que esté a medio cocer—160° F—o hasta que el centro de la hamburguesa ya no esté rosada). Haga un corte pequeño en el centro de cada hamburguesa para determinar si ya está hecha.
3. Tueste los bolillos colocándolos, con el lado abierto hacia abajo, sobre los bordes de la rejilla de la parrilla durante 1 minuto más o menos o hasta que se hayan dorado ligeramente.
4. Retire las hamburguesas de la parrilla y sívalas sobre los bolillos tostados.

### Sección de Variaciones:

**Hamburguesa italiana:** Agregue los siguientes ingredientes a la mezcla de carne molida: 1 yema, ¼ taza de cebolla rallada, 1 diente de ajo grande molido, 2 cucharadas de albahaca fresca picada o 2 cucharaditas de albahaca deshidratada molida, ½ cucharadita de orégano deshidratado, y sal y pimienta a gusto. Eche queso parmesano rallado sobre cada hamburguesa (si así lo desea) unos 2 minutos antes de que esté hecha y continúe asando hasta que el queso se haya derretido.

**Hamburguesa mexicana:** Agregue los siguientes ingredientes a la mezcla de carne molida: ¼ taza de cebolla bien picada, ½ a 1 cucharadita de jalapeños picados y sin semilla, ¾ cucharadita de comino molido, y sal y pimienta a gusto. Sirva sobre bolillos tostados o en tortillas calientes con una salsa de tomate o de taco preparada y tajadas de aguacate maduro.

**Hamburguesa asiática picante:** Agregue los siguientes ingredientes a la mezcla de carne molida: ¼ taza de cebollinos bien picados, 3 cucharadas de salsa teriyaki, 1 diente de ajo grande, picado y sal y pimienta a gusto.

## Brochetas rancheras de carne con pimientos rojos y cebollas



Tiempo de preparación: 25 minutos

Tiempo de reposo en adobo: 6 horas o toda la noche

Tiempo de asado: 14-16 minutos

Resultado: 4 porciones

1½ a 2 libras de lomo u otro corte de carne tierno como solomillo o filete	6 cucharadas de aceite vegetal
2 pimientos rojos tamaño mediano	3 dientes de ajo, pelados y picados en trozos grandes
1 cebolla tamaño mediano	1 o 2 jalapeños grandes, picados y sin semilla
½ taza de jugo de manzana, dividido	¼ cucharadita de comino
6 cucharadas de jugo de lima (unas 3 limas grandes)	1½ cucharadita de chile en polvo
1½ cucharaditas de cáscara de lima rallada	½ cucharadita de paprika
	Sal y pimienta a gusto
	2 cucharadas de mantequilla

1. Sobre una tabla de cortar, recorte toda la grasa visible de la carne, corte la carne en cubitos de unas 1½ pulgadas. Coloque los cubitos en una bolsa de plástico grande que se pueda volver a cerrar o en otro recipiente que no produzca reacción química.
2. Quite el centro y las semillas de los pimientos rojos y córtelos en tiras de unas 1½ pulgada de ancho, corte cada tira en forma transversal en trozos de 1 a 2 pulgadas. Corte la cebolla a la mitad (a lo largo) y quítele la piel. Corte cada mitad en tercios, sepárelos en rodajas. Coloque los pimientos y las cebollas en la bolsa o en el recipiente con los cubitos de carne.
3. Combine 6 cucharadas del jugo de manzana con el jugo de lima, la cáscara de lima rallada, el aceite, el ajo, los jalapeños, el comino, el chile en polvo y la paprika en el tazón de una batidora, bata la mezcla por unos segundos hasta que quede como un puré no muy uniforme. Vierta este adobo sobre la carne y las verduras, cierre la bolsa o tape el recipiente y refrigere por lo menos durante 6 horas o toda la noche, dando vuelta ocasionalmente.
4. Saque la carne del adobo. Conserve todo el adobo restante y colóquelo en una cacerola pequeña. Pinche 3 o 4 cubitos de carne, alternando con trozos de pimiento y de cebolla. (Remoje los pinchos de madera en agua por lo menos durante 30 minutos para evitar que se quemen). Espolvoree las brochetas con sal y pimienta.
5. Coloque las brochetas en la parrilla. Ase las brochetas entre 14 y 16 minutos para una cocción mediana, dando vuelta cada 5 a 6 minutos.
6. Mientras las brochetas se estén asando, haga hervir el adobo en la cacerola sobre la estufa a fuego fuerte, reduzca el calor y hierva a fuego lento por 1 minuto. Agregue batiendo 2 cucharadas de mantequilla y las 2 cucharadas restantes del jugo de manzana. Vierta la salsa con una cuchara sobre las brochetas asadas, justo antes de servir.



## Filete de carne asada 101



Tiempo de preparación: 5 minutos

Tiempo de asado: 35-45 minutos

Resultado: 4 porciones

- |   |                            |
|---|----------------------------|
| 2 cucharadas de aceite de oliva   | 1 diente de ajo, triturado |
| 2 filetes de lomo deshuesados de 1 pulgada de grosor (unas 2 libras en total) | Sal y pimienta a gusto     |

1. En un tazón pequeño, combine el aceite de oliva y el ajo. Frote o pinte generosamente ambos lados de los filetes con el aceite sazonado. Espolvoree los filetes ligeramente con sal y pimienta.
2. Coloque los filetes en la parrilla. Ase entre 35 y 45 minutos hasta que estén medianamente hechos, dando vuelta cada 15 minutos.
3. Saque los filetes de la parrilla, cúbralos sin apretar con papel de aluminio y deje que reposen por unos minutos antes de cortarlos bien fino a través de la vena. Sazone con sal y un poco más de pimienta (si así lo desea) antes de servir.

## Barbacoa de bife tejana



Tiempo de preparación: 10 minutos

Tiempo de reposo en adobo: 3 horas o toda la noche

Tiempo de asado: 34-45 minutos para mediano a poco hecho

Resultado: 4 porciones

- |  |   |
|--|---|
| 1 taza de salsa de chile embotellada                   | ¼ taza de cebolleta verde bien picada (parte blanca y verde)                      |
| 1 cucharadita de comino molido                         | 1 filete de cuarto trasero deshuesado de 1 pulgada de grosor (unas 1½ a 2 libras) |
| ½ taza de cerveza                                      | 3 cucharadas de chile en polvo  |
| ½ cucharadita de escamas de pimienta rojo deshidratado | Sal a gusto (opcional)  |
| ⅓ taza de aceite vegetal                               |   |

1. En un tazón mediano, prepare un adobo combinando todos los ingredientes a excepción de la carne.
2. Coloque la carne en una fuente de vidrio para hornear o en una bolsa de plástico larga y que se puede volver a cerrar. Vierta el adobo sobre la carne, dándola vuelta para cubrirla totalmente. Cubra la fuente o cierre la bolsa, presionando lo más posible para dejar salir todo el aire. Refrigere durante 3 horas o toda la noche.
3. Saque la carne del adobo, y sacúdala para escurrir todo exceso. Descarte el adobo, si así lo desea, espolvoree sal sobre la carne. Coloque la carne sobre la parrilla y ase entre 35 y 45 minutos para que quede medianamente hecha, dando vuelta cada 15 minutos.
4. Transfiera la carne a una tabla para cortar y deje reposar durante 5 minutos, cubierta sin apretar con papel de aluminio. Corte en tajadas finas a través de la vena.

## Pechugas de pollo al charqui



Tiempo de preparación: 15 minutos

Tiempo de reposo en adobo: 6 horas o toda la noche

Tiempo de asado: 30-35 minutos

Resultado: 4 a 6 porciones

- |  |  |
|--|--|
| 8 mitades de pechuga de pollo sin piel y deshuesadas (unas 2 a 3 libras) | 1 jalapeño pequeño, sin semillas y bien picado |
| ¼ taza de aceite vegetal   | 1 cucharadita de azúcar morena, empacada       |
| ¼ taza de jugo de naranja  | ½ cucharadita de sal kosher o a gusto          |
| 3 cebolletas bien picadas (parte blanca y verde)                         | ½ cucharadita de pimienta de Jamaica molida    |
| 4 dientes de ajo tamaño mediano, pelados y bien picados                  | ½ cucharadita de tomillo deshidratado          |
| 2 cucharadas de jugo de lima   | ½ cucharadita de canela                        |
| 2 cucharadas de salsa de soja  | ¼ cucharadita de pimienta de cayena            |
|  | ¼ cucharadita de nuez moscada                  |

1. Recorte toda la grasa suelta de las pechugas; enjuáguelas bajo agua corriente fría y séquelas con una toallita de papel
2. En un tazón mediano, combine el resto de los ingredientes, batiendo con un tenedor o batidor para incorporar los condimentos al aceite y al jugo de naranja.
3. Coloque las pechugas en una bolsa de plástico grande que se pueda volver a cerrar o en una fuente llana; vierta el adobo sobre las pechugas. Cierre la bolsa, presionando para dejar salir el aire, o tape la fuente; refrigere durante 6 horas o toda la noche, dando vuelta ocasionalmente para cubrir las pechugas con el adobo.
4. Retire las pechugas de pollo del adobo y descarte el adobo. Coloque las pechugas de pollo en la parrilla. Ase entre 30 y 35 minutos o hasta que estén bien cocidas, dando vuelta cada 10 minutos. Para comprobar que estén bien cocidas, haga un corte en la pechuga; la carne deberá estar blanca y jugosa, sin partes rosadas.

## Alitas de pollo en chile picante



Tiempo de preparación: 20 minutos

Tiempo de reposo en adobo: 2 a 4 horas

Tiempo de asado: 25-30 minutos

Resultado: 4 porciones como plato principal o entre 8 y 10 porciones como aperitivo

- |  |  |
|--|--|
| 3 a 3½ libras de alitas de pollo (unas 15 a 18 alitas) | 2 cucharaditas de paprika                                    |
| 3 cucharadas de aceite de oliva                        | 1 cucharadita de jengibre pelado y rallado                   |
| 3 cucharadas de jugo de lima fresco                    | 1 cucharadita de sal, o a gusto                              |
| 4 dientes de ajo grandes, pelados y picados            | ½ cucharadita de chile picante en polvo o pimienta de cayena |
| 2 cucharaditas de comino molido                        | ½ cucharadita de canela                                      |
| 2 cucharaditas de cilantro molido                      |  |

1. Enjuague las alitas de pollo bajo agua corriente fría y séquelas con toallitas de papel. Corte las puntas de las alitas en las articulaciones y descarte las puntas. (O envuelva y congele las puntas y úselas después para agregar sabor a caldos y sopas en lata o caseras).

2. Combine todos los ingredientes restantes en una bolsa de plástico grande que se pueda volver a cerrar o en un tazón, mezclándolos bien.
3. Agregue las alitas de pollo; mézclelas bien para cubrirlas con la mezcla de aceite y condimentos. Cierre la bolsa, presionando para dejar salir todo el aire, o tape el tazón; refrigere entre 2 y 4 horas.
4. Coloque las alitas en la parrilla. Ase entre 25 y 30 minutos o hasta que estén bien cocidas, dándolas vuelta con pinzas cada 10 minutos para evitar que se quemen y asegurarse de que se queden bien asadas. Para comprobar que estén bien cocidas, haga un corte en la parte más gruesa del ala y la carne deberá estar blanca, sin partes rosadas y los jugos deberán ser transparentes.

---

## Planchas de papa a la parrilla



Tiempo de preparación: 15 minutos  
 Tiempo de reposo en adobo: 30 minutos a 1 hora  
 Tiempo de asado: 15 minutos  
 Resultado: 4 porciones

4 papas de tamaño mediano (unas 1½ libras en total), bien lavadas	1 cucharadita de mejorana, orégano o eneldo deshidratado
6 cucharadas de aceite de oliva extra virgen	½ cucharadita de salsa Tabasco o a gusto
1½ cucharadas de vinagre de vino blanco	½ cucharadita de sal kosher (o sal de mesa), o a gusto
2 dientes de ajo, pelados y bien picados	Pimienta a gusto

1. Corte las papas a lo largo en rodajas de ½ pulgada de grosor. Coloque las tajadas en una cacerola tamaño mediano con suficiente agua ligeramente salada para cubrirlas. Tape la cacerola y haga hervir. Hierva por 5 minutos o hasta que estén casi tiernas cuando se les pinche con la hoja de un cuchillo fino y afilado; escurra bien. Coloque las papas en una fuente de asar llana y grande.
2. Haga un adobo para marinar combinando el resto de los ingredientes; vierta el adobo sobre las rodajas calientes de papa, dando vuelta para cubrirlas bien. Tape y deje reposar entre 30 minutos y 1 hora.
3. Antes de asar, pinte ambos lados de las papas con el adobo, asegurándose de haber incluido trozos de ajo y de las hierbas. Coloque las papas en la parrilla, ase hasta que estén un poco doradas, entre 6 y 8 minutos. Dé vuelta y ase hasta que se hayan dorado del otro lado y estén crocantes, otros 6 a 8 minutos. Si así lo desea, sazone antes de servir con un poco más de sal, pimienta y salsa Tabasco.

## Tomates a la parrilla, con mantequilla al comino



Tiempo de preparación: 10 minutos

Tiempo de asado: 5-6 minutos

Resultado: 4 porciones

2½ cucharadas de mantequilla  
1 cucharadita de comino molido

Sal y pimienta a gusto

2 tomates grandes, firmes, maduros, cortados en rodajas de ¾ pulgada de grosor

1. Derrita la mantequilla en una cacerola pequeña; retire del calor, vierta el comino, la sal y la pimienta y mezcle.
2. Pinte las rodajas de tomate de un lado con la mitad de la mantequilla al comino. Colóquelas, con el lado sazonado hacia abajo, sobre la parrilla y ase entre 2 y 3 minutos o hasta que estén ligeramente doradas de ese lado.
3. Pinte el otro lado de los tomates con el resto de la mantequilla al comino. De vuelta y ase entre 2 y 3 minutos más o hasta que queden ligeramente dorados, sin deshacerse.

## Bruschetta de tomate



Tiempo de preparación: 15 minutos

Tiempo de asado: 4 minutos

Resultado: 6 a 8 porciones para aperitivo

2 tomates grandes maduros y rojos (unas 1¼ libras), sin centros, sin semillas y cortados en cubitos

½ taza de albahaca fresca picada en trozos grandes

2 cucharadas de cebolla roja pelada y cortada en cubitos (opcional)

Alrededor de ¼ taza de aceite de oliva extra virgen, dividida

1 diente de ajo, pelado y picado

1 cucharadita de vinagre balsámico o de vinagre de vino rojo

Sal y pimienta

12 rebanadas de pan francés con corteza, cortado diagonalmente, de ¾ pulgada de grosor

3 dientes de ajo, pelados y cortados a la mitad

1. En un tazón pequeño, combine los tomates, la albahaca, la cebolla roja (si así lo desea), 2 cucharadas del aceite de oliva, el ajo picado, el vinagre, la sal y la pimienta. Tape y deje reposar a temperatura ambiente por lo menos durante 30 minutos pero no más de 2 horas.
2. Coloque las rebanadas de pan en la parrilla. Tueste entre 4 y 5 minutos o hasta que el pan quede ligeramente tostado y dorado de ambos lados, dando vuelta una vez.
3. Retire e inmediatamente frote los bordes y uno de los lados de cada rebanada con una mitad de diente de ajo. (Use la mitad de un diente para cada 2 rebanadas). Espolvoree una ½ cucharadita de aceite de oliva del lado frotado con ajo de cada rebanada.
4. Agite la mezcla de los tomates con una cuchara grande para humedecerla bien; cubra cada rebanada de pan con unas 1½ cucharadas de la mezcla de tomates. Colóquelas en una fuente y sirva inmediatamente.

## Espadas especiales de cerdo y ciruela

Receta por cortesía del National Pork Producers Council



Tiempo de preparación: 10 minutos

Tiempo de reposo en adobo: 1 hora

Tiempo de asado: 10 minutos

Porciones: 4

### Información Alimenticia por porción

Porción: 1	
Nutriente	Por Porción
Calorías	183
Total de materia grasa	5g
Colesterol	44mg
Sodio	1340mg
Proteína	19g

4 pinchos de bambú (remojar en agua antes de usar)

¾ libra de jamón, completamente cocido, cortado en cubos de 1 pulgada

¼ taza de conserva de ciruela

1 cucharada de mostaza estilo Dijon

1 cucharadita de jugo de limón, fresco

¼ cucharadita de canela

Coloque el jamón en un tazón llano. Combine el resto de los ingredientes en una cacerola llana. Caliente hasta que se haya disuelto. Vierta la salsa sobre el jamón. Deje marinar por 1 hora. Coloque los cubos en los pinchos de bambú que se habían dejado remojar en agua. Ase durante 10 minutos. Dé vuelta los pinchos con frecuencia. Rocíe con la salsa. Descarte la salsa que quede.

## Brochetas caribeñas de cerdo

Receta por cortesía del National Pork Producers Council



Tiempo de preparación: 10 minutos

Tiempo de cocción: 18-20 minutos

Porciones: 4

### Información Alimenticia por porción

Porción: 3 onzas	
Nutriente	Por Porción
Calorías	146
Total de materia grasa	4g
Colesterol	87mg
Sodio	60mg
Proteína	23g

1 libra de solomillo de cerdo, cortado en cubos de 1 pulgada

½ taza de jugo de naranja

¼ taza de jugo de lima

2 cucharadas de azúcar morena

½ cucharadita de tomillo

¼ cucharadita de nuez moscada molida


¼ cucharadita de clavo de olor molido

⅛ cucharadita de pimienta de cayena molida

Combine todos los ingredientes en una bolsa de plástico autosellante; cierre la bolsa y refrigere entre 2 y 24 horas. Retire los cubos del adobo y descarte el resto del adobo. Pinche los cubos en los cuatro pinchos en forma uniforme (si usa pinchos de madera, remójelos en agua por una hora antes de usarlos para evitar que se quemen). Ase entre 18 y 20 minutos, dando vuelta con frecuencia hasta que queden bien dorados. Sirva sobre arroz caliente y pinchos con fruta asada y trozos de pimientos, si así lo desea.

## Costillas de cerdo a la barbacoa al estilo de la región central

Receta por cortesía del National Pork Producers Council

 Tiempo de preparación: 5 minutos  
 Tiempo cocción: 30 minutos  
 Porciones: 4

### Información Alimenticia por porción

Porción: 1	
Nutriente	Por Porción
Calorías	371
Total de materia grasa	11g
Colesterol	104mg
Sodio	382mg
Proteína	39g


4 costillas de cerdo, con hueso o deshuesadas, de unas 1 ¼ pulgadas de grosor  
 ½ taza de salsa embotellada para barbacoa  
 ⅓ taza de miel

1 cucharada de salsa Worcestershire  
 1 cucharadita de mostaza preparada  
 Una pizca de salsa de ají picante

Para la salsa, mezcle todos los ingredientes, a excepción de las costillas de cerdo, en un tazón pequeño. Coloque las costillas de cerdo en la parrilla. Ase las costillas durante unos 10 minutos, hasta que estén bien doradas de un lado; dé vuelta y píntelas con bastante salsa. Ase durante 10 minutos más; dé vuelta y pinte con más salsa. Ase entre 5 y 10 minutos más, dando vuelta y pintando con la salsa. Descarte el resto de la salsa. Sirva las costillas inmediatamente.

## Solomillo de cerdo asado al estilo suroeste

Receta por cortesía del National Pork Producers Council

 Tiempo de reposo en adobo: 2 a 24 horas  
 Tiempo de preparación: 10 minutos  
 Tiempo de cocción: 50-55 minutos  
 Porciones: 6

### Información Alimenticia por porción

Porción: 3 onzas	
Nutriente	Por Porción
Calorías	154
Total de materia grasa	6g
Colesterol	66mg
Sodio	141mg
Proteína	26g

2 solomillos de cerdo enteros, unas 1½ libras en total  
 5 cucharaditas de chile en polvo  
 1½ cucharaditas de orégano

¼ cucharadita de comino molido  
 2 dientes de ajo, triturados  
 1 cucharada de aceite vegetal

En un tazón pequeño, mezcle bien todos los condimentos con el aceite vegetal. Frote todas las superficies del solomillo con la mezcla. Cubra y refrigere entre 2 y 24 horas. Ase, dando vuelta ocasionalmente, entre 50 y 55 minutos, hasta que el termómetro introducido en la carne indique entre 155 y 160° F. La carne está cocida cuando aún hay un vestigio de rosado en el centro. Corte en tajadas para servir.

## Camarones picantes a la parrilla

½ taza de salsa de soja	2 cucharadas de jengibre fresco picado
1 cucharada de aceite de oliva	2 cucharaditas de mostaza seca
1 cucharada de aceite de sésamo	2 cucharaditas de salsa de ají picante
5 cucharadas de mezcla de condimentos estilo cajún	32 camarones grandes crudos, pelados y desnervados, pero con las colas
2 cucharadas de jugo de limón fresco	

Combine todos los ingredientes a excepción de los camarones. Mezcle bien y luego agregue los camarones. Deje marinar entre 1 y 4 horas. Escorra el adobo y descártelo. Coloque los camarones en la parrilla y cocine por 2 minutos. Dé vuelta y cocine por otros 2 minutos o hasta que estén hechos.

## Escalopes de mar en salsa de soja y sésamo

1 cucharada de aceite de sésamo	⅛ cucharadita de jengibre molido
2 cucharadas de vino blanco	Pizca de sal de ajo
¼ taza de salsa tamari o salsa de soja	Pizca de pimienta
1 cucharadita de ajo triturado	1 libra de escalopes de mar

Combine todos los ingredientes y deje marinar en el refrigerador entre 30 minutos y 1 hora. Haga brochetas. Colóquelas en la parrilla y cocine por 5 minutos o hasta que estén hechas. Dé vuelta después de haber asado la mitad del tiempo. **Se obtienen 4 porciones.**

## Trucha crocante de mar a la parrilla

¼ taza de pan rallado	1 cucharadita de estragón
1 cucharada de perejil deshidratado	1 clara de huevo
1 cucharadita de sal de ajo	Trucha de mar de ¼ libra

Combine el pan rallado, el perejil, el ajo, la sal y el estragón; ponga la mezcla a un costado. Bata la clara de huevo con un tenedor o un batidor hasta que quede espumoso. Sumerja el pescado en la clara de huevo y luego cúbralo con la mezcla de pan rallado. Coloque en la parrilla y cocine por 5 minutos. Dé vuelta y cocine 5 minutos más o hasta que esté hecho. **Se obtienen 2 porciones.**

## Salmón con eneldo

Filete de salmón de ½ libra	1 cucharadita de eneldo
1 cucharada de jugo de lima	

Pinte el salmón con el jugo de lima y espolvoree con eneldo. Rocíe la parrilla con aerosol de cocina. Cocine el salmón por 4 minutos. Dé vuelta y cocine otros 4 minutos hasta que esté hecho. **Se obtienen 2 porciones.**

## Mahi Mahi con jengibre y eneldo

¼ taza de jugo de lima	¼ cucharadita de raíz de jengibre fresca rallada
¼ cucharadita de pimienta negra	¼ cucharadita de eneldo
	¼ libra de Mahi Mahi (o rape)

Combine el jugo de lima, la pimienta, la raíz de jengibre y el eneldo. Deje marinar el pescado en la mezcla durante 2 horas. Coloque en la parrilla y cocine por 5 minutos. Dé vuelta y cocine otros 5 minutos o hasta que esté hecho. **Se obtienen 2 porciones.**

## Asistencia al cliente

Si desea hacer un reclamo bajo esta garantía, sírvase llamar a nuestro Número de Asistencia al Cliente. Para un servicio más rápido es importante que tenga el modelo, la serie y los números del tipo listos para que el operador lo pueda ayudar. Estos números se pueden encontrar en la parte de atrás del cordón de corriente.

MODELO: \_\_\_\_\_ TIPO: \_\_\_\_\_ SERIE: \_\_\_\_\_

Número de Asistencia al Cliente: 1-877-207-0923

¡Guarde este número para referencia futura!

Solicitud de información por e-mail: [www.wal-mart.com](http://www.wal-mart.com)

### Garantía Limitada de Dos Años

#### ¿Qué cubre su garantía?

- Todo defecto de material o mano de obra.

#### ¿Por cuánto tiempo después de la compra inicial?

- Dos años.

#### ¿Qué haremos?

- Le suministraremos una unidad nueva o reacondicionada, a nuestra opción.
- La unidad de cambio estará garantizada por el resto del período de garantía de dos años de su producto original.

#### ¿Cómo hacer un reclamo bajo garantía?

- Guarde su recibo.
- Empaque su unidad debidamente. Recomendamos usar la caja y los materiales de empaque originales.
- Devuelva el producto a su tienda WAL\*MART más cercana o llame al Número de Asistencia al Cliente al 1-877-207-0923.

#### ¿Qué es lo que la garantía no cubre?

- Partes de vidrio, envases de vidrio, cortador/colador, cuchillas y/o agitadores.
- Uso comercial o cualquier otro uso que no se encuentre en las instrucciones impresas.
- Daños debido al mal uso, abuso, o negligencia.
- Productos comprados o reparados fuera de los Estados Unidos.

#### ¿Cuál es la relación entre las leyes estatales y esta garantía?

- Esta garantía le otorga derechos legales específicos, y es posible que usted también tenga otros derechos que varían de un estado al otro.
- WAL\*MART expresamente niega toda responsabilidad por daños consecuentes o pérdidas incidentales causadas por el uso de este aparato. Ciertos estados no permiten esta exclusión o limitación de pérdidas incidentales o consecuentes de manera que es posible que el descargo de responsabilidad que antecede no corresponda en su caso.

#### ¿Qué sucede si usted adquirió su producto en los Estados Unidos, Canadá o México y encuentra un problema cuando lo está usando fuera del país de compra?

- La garantía es válida solamente en el país de compra y si usted sigue el procedimiento de reclamo bajo garantía que se indica.



es una marca de comercio  
de General Electric Company  
usada bajo licencia por  
WAL\*MART Stores, Inc.  
Bentonville, AR 72716

WAL\*MART Stores, Inc.  
Bentonville, AR 72716

840083500

2/01



## Free Manuals Download Website

<http://myh66.com>

<http://usermanuals.us>

<http://www.somanuals.com>

<http://www.4manuals.cc>

<http://www.manual-lib.com>

<http://www.404manual.com>

<http://www.luxmanual.com>

<http://aubethermostatmanual.com>

Golf course search by state

<http://golfingnear.com>

Email search by domain

<http://emailbydomain.com>

Auto manuals search

<http://auto.somanuals.com>

TV manuals search

<http://tv.somanuals.com>