

JGBS80SEL

GE® 30" Free-Standing Standard Clean Gas Range

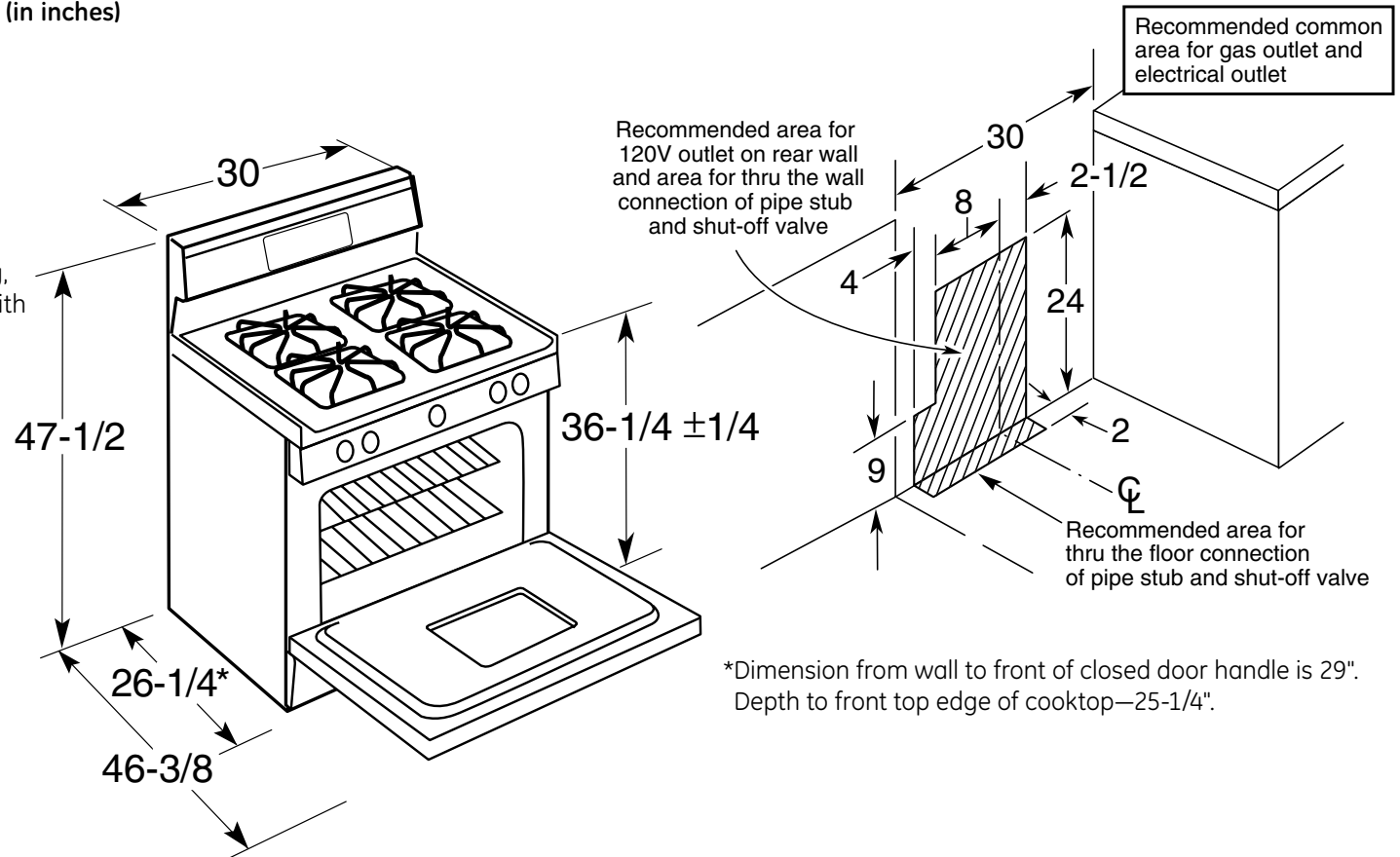
Dimensions and Installation Information (in inches)

Factory set for Natural gas. A set of LP orifices is included with each range for LP conversion.

Gas Self-Clean Range Anti-Tip Bracket (Part No. 205C1714P001)

Electrical Rating: 120V, 60Hz, 5A

Installation Information: Before installing, consult installation instructions packed with product for current dimensional data.



For answers to your Monogram,® GE Profile™ or GE® appliance questions, visit our website at ge.com or call GE Answer Center® service, 800.626.2000.



imagination at work



All GE ranges are equipped with an Anti-Tip device. The installation of this device is an important, required step in the installation of the range.



Specification Created 4/06

330482

JGBS80SEL

GE® 30" Free-Standing Standard Clean Gas Range

Features and Benefits

- Extra-Large Oven Capacity - Provides a large oven interior ideal for cooking more items at once
- Deep Recessed Cooktop - Designed with a recessed surface to help contain spills and make cleaning easy
- Center Oval Burner - Adds a fifth element to the center of the cooktop, ideal for griddle or odd-size cookware
- Non-Stick Griddle - Offers a flat cooking surface, placed over the center oval burner, for cooking multiple foods at once
- PowerBoil™ Burner - Delivers 15,000 BTUs of forceful heat for rapid boiling
- Broiler Drawer - Supplies a concentrated heat for crisping and browning
- Precise Simmer Burner - Offers a low setting of 600 BTUs, ensuring more temperature control for simmering
- Electronic Clock - Features an easy-to-use design that allows the time to be easily viewed
- Sealed Cooktop Burners - Eliminate the space between the burners and the cooktop to help contain spills and boil over liquids, ensuring easy cleanup
- Big Hearth Window - Features an enhanced shape to add an elegant appearance and make viewing trouble-free
- Model JGBS80SELSS - Stainless steel



imagination at work

Free Manuals Download Website

<http://myh66.com>

<http://usermanuals.us>

<http://www.somanuals.com>

<http://www.4manuals.cc>

<http://www.manual-lib.com>

<http://www.404manual.com>

<http://www.luxmanual.com>

<http://aubethermostatmanual.com>

Golf course search by state

<http://golfingnear.com>

Email search by domain

<http://emailbydomain.com>

Auto manuals search

<http://auto.somanuals.com>

TV manuals search

<http://tv.somanuals.com>