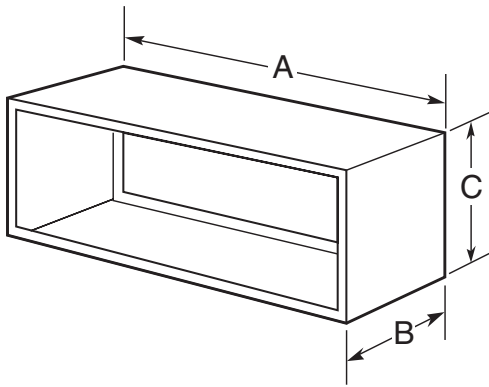




## AZ58H09E – GE Zoneline® Premium Series Heat Pump Unit

### Wall Case Dimensions



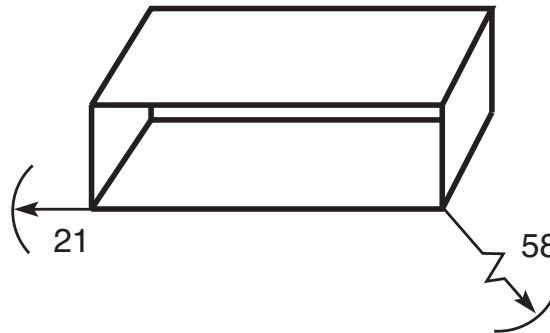
### RAB71 Wall Sleeve

Heavy-gauge galvanized steel, with insulation.  
A – 42"; B – 13-3/4"; C – 16"

### RAB77 Wall Sleeve

Molded SMC fiberglass-reinforced polyester compound.  
A – 42-1/8"; B – 13-7/8"; C – 16-1/4"

### Maximum Cord Extension (in inches)



### Wall Opening Dimensions

Add 1/4" to A and C dimensions for all cut-out size.  
RAB71 16-1/4" Min. H x 42-1/4" Min. W  
RAB71 available in 16", 24", 28" and 31" depths  
RAB77 16-1/2" Min. H x 42-3/8" Min. W

### Electrical Wiring

All wiring, including installation of receptacle, must be made in accordance with local electrical codes and regulations.

**Note:** Aluminum wiring may pose special problems – consult a qualified electrician.

### Grille Options

Stamped Aluminum Grille – RAG60

Exterior Architectural Louvers Durable Polycarbonate:

RAG61 or RAG64 (Beige)    RAG63 or RAG66 (Bittersweet)  
RAG62 or RAG65 (Maple)    RAG67 (Extruded Aluminum)

### Retrofit Kits:

RAK901L – Wall Case Insulation for use with heat pumps.  
RAK40 – Deflector Kit to adapt chassis for use with existing exterior architectural louvered grilles.

### Electrical Connection

230/208 volt units may be plugged into a receptacle. 265 volt units are provided with a junction box and require direct connection. (NEC Requires 265V Direct Connection) See Architects and Engineers Design Data Manual for electrical connection information including use of sub-base for direct connected units. Installation must comply with local electrical codes and regulations.

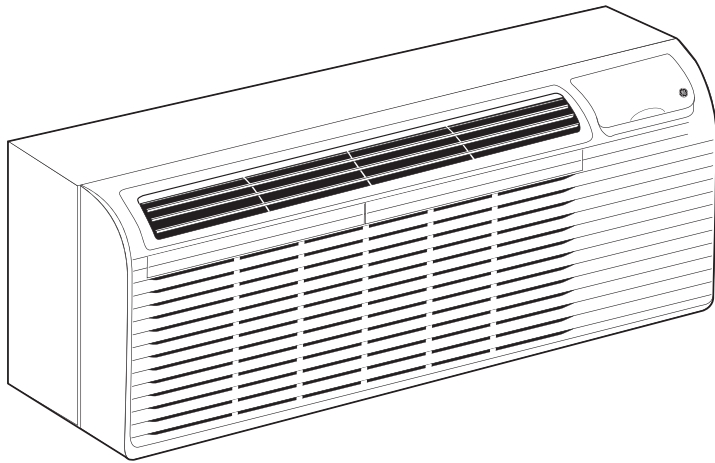
**Power Connection kits required on all Zoneline chassis.**

265 Volt Sub-Base Connected Units				
Sub-Base	Power Connection Kit	Electric Heater Watts	Electric Heat Amps	Min. Circuit Protection (Amps)
RAK204E15	RAK5172	2,550	10.3	15
RAK204E20	RAK5202	3,450	13.7	20
RAK204E30	RAK5302	5,000	19.6	30



**GE Appliances**

## **AZ58H09E – GE Zoneline® Premium Series Heat Pump Unit**



### **Features and Benefits**

- 9000 BTUH (Cooling)
- 12.0 E.E.R.
- 2.8 Dehumidification (pts/hr)
- 8400 BTUH (Reverse Cycle Heat)
- 290/270 CFM Indoor Fan (High/Low)
- 70/45 Vent CFM
- Electronic 7-Step Temperature Limiting To Prevent Overcooling or Overheating of Room
- Heat Sentinel
- Reverse Cycle Defrost By Monitoring Operating Conditions
- 30 Sound Transmission Class (STC)
- Standard Microcomputer, Rotary Knobs
- Model AZ58H09EAC – Warm grey beige (Corrosion Treated)
- Model AZ58H09EAD – Warm grey beige (Internal Condensate Removal)

## Free Manuals Download Website

<http://myh66.com>

<http://usermanuals.us>

<http://www.somanuals.com>

<http://www.4manuals.cc>

<http://www.manual-lib.com>

<http://www.404manual.com>

<http://www.luxmanual.com>

<http://aubethermostatmanual.com>

Golf course search by state

<http://golfingnear.com>

Email search by domain

<http://emailbydomain.com>

Auto manuals search

<http://auto.somanuals.com>

TV manuals search

<http://tv.somanuals.com>