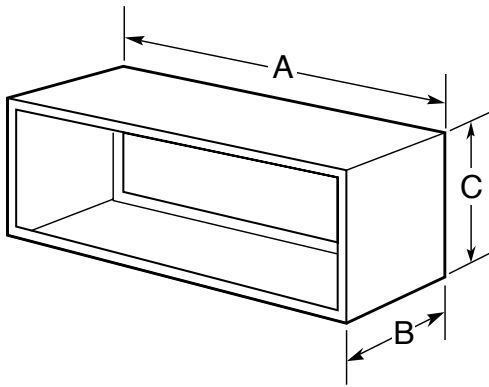




GE Appliances

## AZ58H12D – GE Zoneline® Premium Series Heat Pump Unit

### Wall Case Dimensions



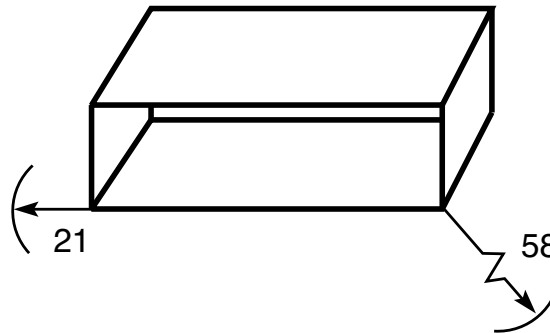
#### RAB71 Wall Sleeve

Heavy-gauge galvanized steel, with insulation.  
A – 42", B – 13-3/4", C – 16"

#### RAB77 Wall Sleeve

Molded SMC fiberglass-reinforced polyester compound.  
A – 42-1/8", B – 13-7/8", C – 16-1/4"

### Maximum Cord Extension (in inches)



### Wall Opening Dimensions

Add 1/4" to A and C dimensions for all cut-out size.  
RAB71 16-1/4" Min. H x 42-1/4" Min. W  
RAB71 available in 16", 24", 28" and 31" depths  
RAB77 16-1/2" Min. H x 42-3/8" Min. W

230/208 Volt Line Cord Connected Units				
Line Cord Kit	Electric Heat (Btuh)	Electric Heater Watts	Electric Heat Amps	Min. Circuit Protection (Amps)
RAK3153	8,600/7,100	2,550/2,090	11.6/10.6	15
RAK3203	11,700/9,600	3,450/2,820	15.5/14.1	20
RAK3303	17,000/13,900	5,000/4,090	22.3/20.3	30

230/208 Volt Sub-Base Connected Units				
Sub-Base	Electric Heat (Btuh)	Electric Heater Watts	Electric Heat Amps	Min. Circuit Protection (Amps)
RAK204D15P	8,600/7,100	2,550/2,090	11.6/10.6	15
RAK204D20P	11,700/9,600	3,450/2,820	15.5/14.1	20
RAK204D30P	17,000/13,900	5,000/4,090	22.3/20.3	30

Specification Revised 4/06

390566

### Electrical Wiring

All wiring, including installation of receptacle, must be made in accordance with local electrical codes and regulations.

**Note:** Aluminum wiring may pose special problems – consult a qualified electrician.

### Grille Options

Stamped Aluminum Grille – RAG60

Exterior Architectural Louvers Durable Polycarbonate:

RAG61 or RAG64 (Beige)      RAG63 or RAG66 (Bittersweet)  
RAG62 or RAG65 (Maple)      RAG67 (Extruded Aluminum)

### Retrofit Kits:

RAK901L – Wall Case Insulation for use with heat pumps.  
RAK40 – Deflector Kit to adapt chassis for use with existing exterior architectural louvered grilles.

### Electrical Connection

230/208 volt units may be plugged into a receptacle. 265 volt units are provided with a junction box and require direct connection. (NEC Requires 265V Direct Connection) See Architects and Engineers Design Data Manual for electrical connection information including use of sub-base for direct connected units. Installation must comply with local electrical codes and regulations.

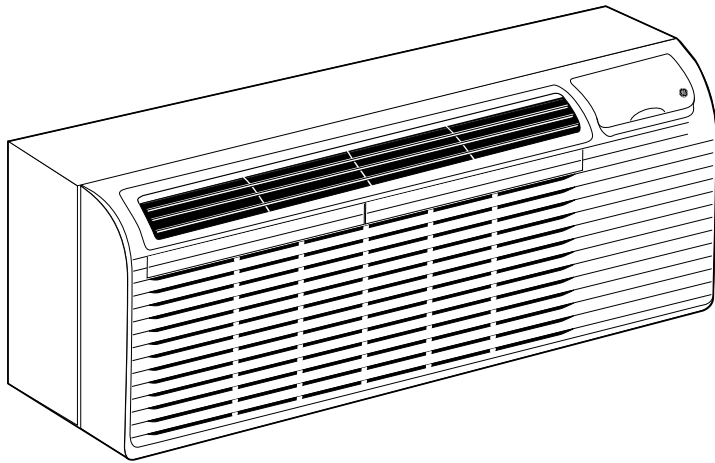
**Power Connection kits required on all Zoneline chassis.**

For answers to your Monogram,® GE Profile™ or GE® appliance questions, visit our website at [ge.com](http://ge.com) or call GE Answer Center® service, 800.626.2000.



**GE Appliances**

## **AZ58H12D – GE Zoneline® Premium Series Heat Pump Unit**



### **Features and Benefits**

- 11,800/11,600 BTUH (Cooling)
- 11.5/11.5 E.E.R.
- 3.6 Dehumidification (pts/hr)
- 10,900/10,700 BTUH (Reverse Cycle Heat)
- 330/310 CFM Indoor Fan (High/Low)
- 75/45 Vent CFM
- Electronic 7-Step Temperature Limiting To Prevent Overcooling or Overheating of Room
- Heat Sentinel
- Reverse Cycle Defrost By Monitoring Operating Conditions
- 30 Sound Transmission Class (STC)
- Highly Featured Microcomputer – Tactile Touch Pad Controls with LED
- Model AZ58H12DAC – Warm grey beige (Corrosion Treated)
- Model AZ58H12DAD – Warm grey beige (Internal Condensate Removal)

## Free Manuals Download Website

<http://myh66.com>

<http://usermanuals.us>

<http://www.somanuals.com>

<http://www.4manuals.cc>

<http://www.manual-lib.com>

<http://www.404manual.com>

<http://www.luxmanual.com>

<http://aubethermostatmanual.com>

Golf course search by state

<http://golfingnear.com>

Email search by domain

<http://emailbydomain.com>

Auto manuals search

<http://auto.somanuals.com>

TV manuals search

<http://tv.somanuals.com>