

# ZDIS150W

## GE Monogram® High-Production, Large Capacity Automatic Ice Maker

### Dimensions and Installation Information (in inches)

#### Dimensions

H 33-1/2"

W 14-13/16"

D 23-5/16"

#### Note:

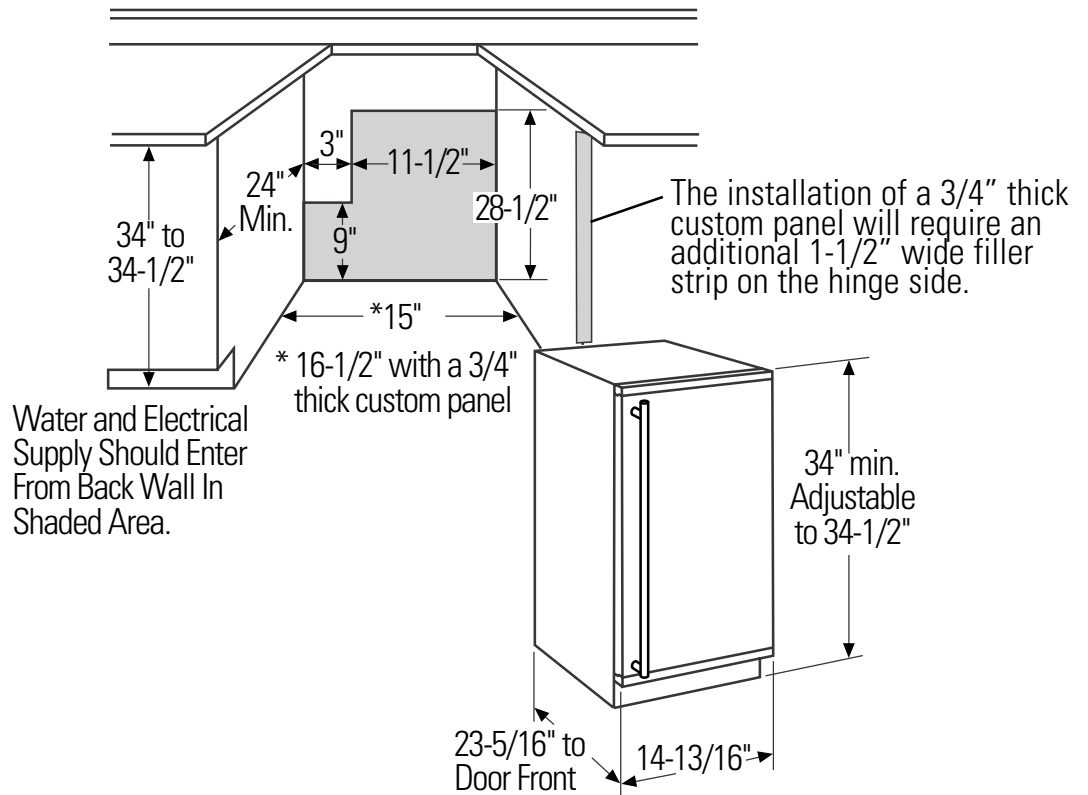
The finished cut-out is determined by the type of installation. Before installing, consult installation instructions packed with product for current dimensional data.

#### Warranty Information:

Limited one-year warranty, in-home service, parts and labor.\*

Limited five-year warranty, parts and labor on the compressor, evaporator and all connecting tubing.\*

\*See written warranty for complete details.



For answers to your Monogram®, GE Profile™ or GE® appliance questions, visit our website at [ge.com](http://ge.com) or call GE Answer Center® service, 800.626.2000.

#### Note:

The addition of a 3/4" thick front panel will result in a front to back depth of 24-1/16".



imagination at work



Listed by  
Underwriters  
Laboratories

Specification Revised 10/07

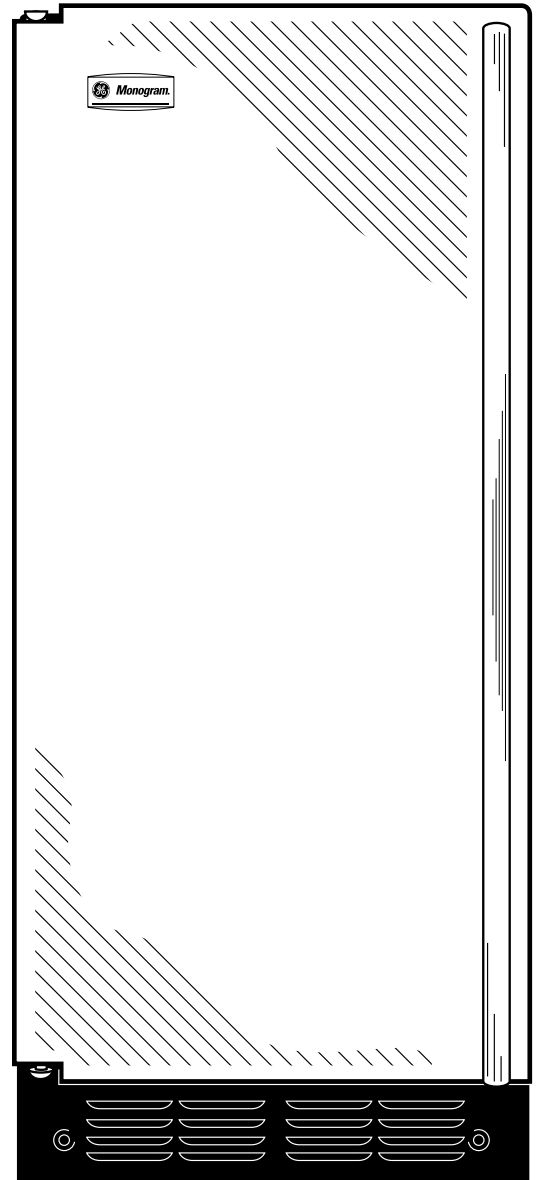
120043

# ZDIS150W

## GE Monogram® High-Production, Large Capacity Automatic Icemaker

### Features and Benefits

- Hidden Electronic Controls - Allow for a fully integrated look
- Clean Sensor with LED Indicator
- Lighted Bin with Ice Scoop
- Reversible Door
- Daily Ice Production up to 50 lbs
- Water Level Sensor
- Model ZDIS150WSS - Stainless steel



imagination at work

Specification Revised 10/07

120043

## Free Manuals Download Website

<http://myh66.com>

<http://usermanuals.us>

<http://www.somanuals.com>

<http://www.4manuals.cc>

<http://www.manual-lib.com>

<http://www.404manual.com>

<http://www.luxmanual.com>

<http://aubethermostatmanual.com>

Golf course search by state

<http://golfingnear.com>

Email search by domain

<http://emailbydomain.com>

Auto manuals search

<http://auto.somanuals.com>

TV manuals search

<http://tv.somanuals.com>