

ZDIC150W

GE Monogram® High-Production, Large Capacity Automatic IceMaker

Dimensions and Installation Information (in inches)

Dimensions

H 33-1/2"

W 14-13/16"

D 23-5/16"

Note:

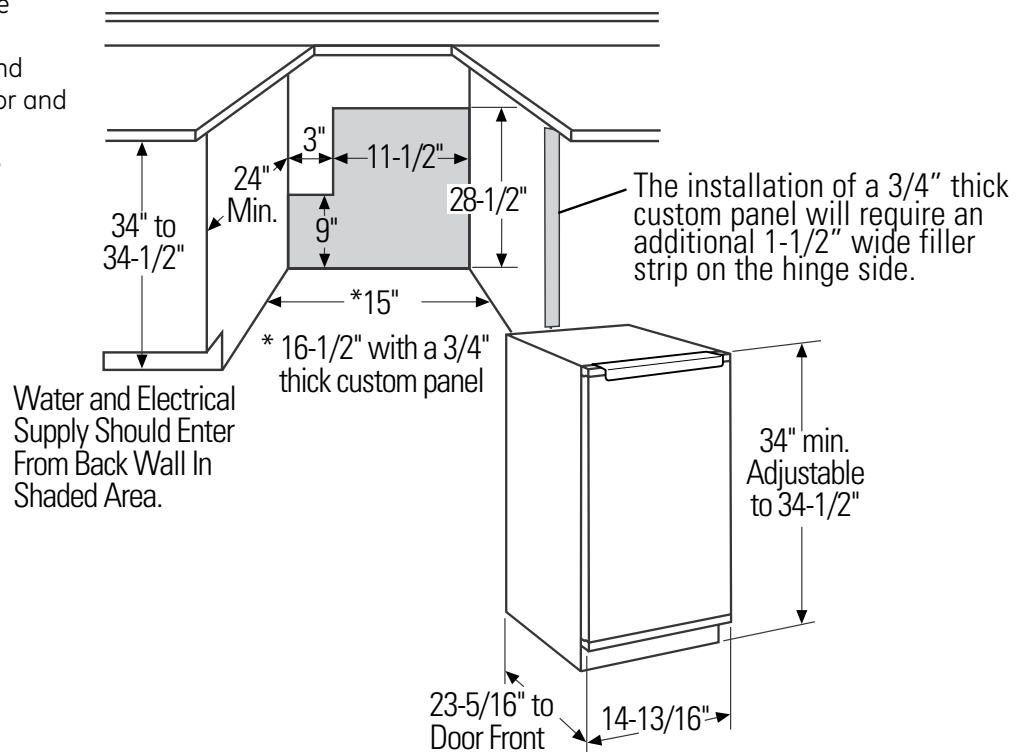
The finished cut-out is determined by the type of installation. Before installing, consult installation instructions packed with product for current dimensional data.

Warranty Information:

Limited one-year warranty, in-home service, parts and labor.*

Limited five-year warranty, parts and labor on the compressor, evaporator and all connecting tubing.*

*See written warranty for complete details.



Note:

The addition of a 3/4" thick front panel will result in a front to back depth of 24-1/16".

For answers to your Monogram®, GE Profile™ or GE® appliance questions, visit our website at ge.com or call GE Answer Center® service, 800.626.2000.



imagination at work



Listed by
Underwriters
Laboratories

Specification Revised 10/07

120044

ZDIC150W

GE Monogram® High-Production, Large Capacity Automatic Ice Maker

Dimensions and Specifications (in inches)

The Monogram® automatic icemaker can be used free-standing or as a built-in, under the countertop.

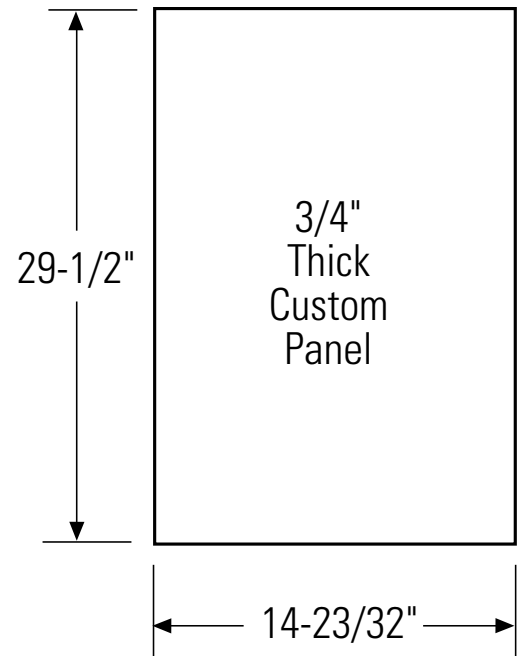
The Monogram® automatic icemaker requires a 115 Volt, 60 Hz., AC only power supply, with an individual, properly grounded branch circuit, protected by a 15 amp fuse or circuit breaker.

The Monogram® automatic icemaker is equipped with a gravity drain to prevent water from flowing back into the ice storage bin. Although a floor drain is acceptable, the ideal installation has a standpipe with a 2" to 1-1/2" pvc drain reducer installed directly below the outlet of the drain tube.

To achieve a custom appearance, the icemaker door accepts 3-4" custom panels (using ZIP75BB Black Kit) to coordinate or contrast with cabinetry.

Note:

A drain pump is necessary when a floor drain is not available. Order ZPK1 Drain Pump Kit or contact your local plumber for a recommended pump available in your area.



For answers to your Monogram®, GE Profile™ or GE® appliance questions, visit our website at ge.com or call GE Answer Center® service, 800.626.2000.



imagination at work

Specification Revised 10/07

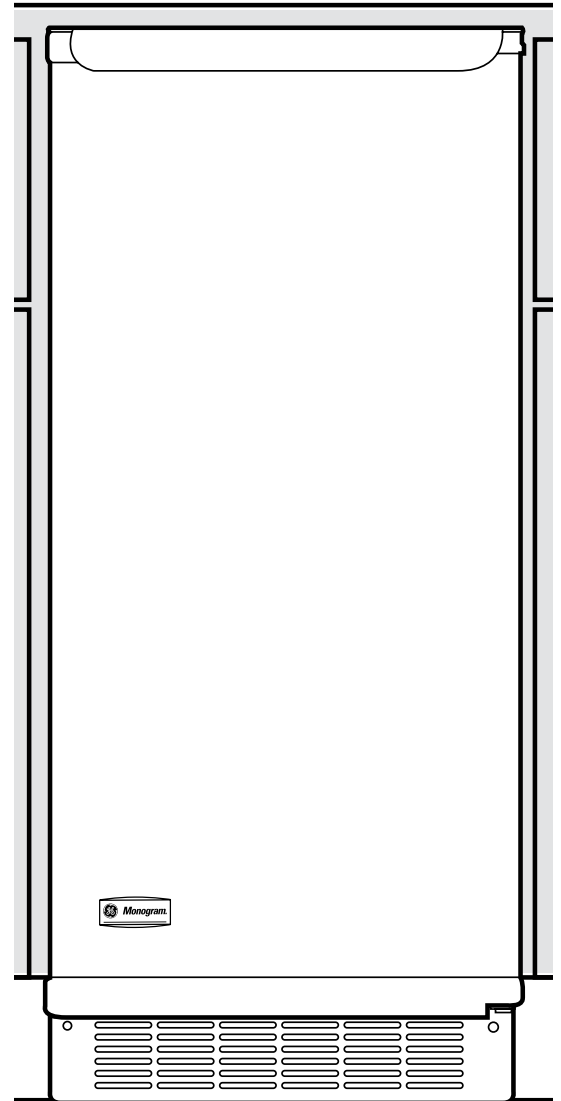
120044

ZDIC150W

GE Monogram® High-Production, Large Capacity Automatic Icemaker

Features and Benefits

- Hidden Electronic Controls - Allow for a fully integrated look
- Clean Sensor with LED Indicator
- Lighted Bin with Ice Scoop
- Reversible Door
- Daily Ice Production up to 50 lbs
- Water Level Sensor
- Model ZDIC150WWW - White
- Model ZDIC150WBB - Black



imagination at work

Specification Revised 10/07

120044

Free Manuals Download Website

<http://myh66.com>

<http://usermanuals.us>

<http://www.somanuals.com>

<http://www.4manuals.cc>

<http://www.manual-lib.com>

<http://www.404manual.com>

<http://www.luxmanual.com>

<http://aubethermostatmanual.com>

Golf course search by state

<http://golfingnear.com>

Email search by domain

<http://emailbydomain.com>

Auto manuals search

<http://auto.somanuals.com>

TV manuals search

<http://tv.somanuals.com>