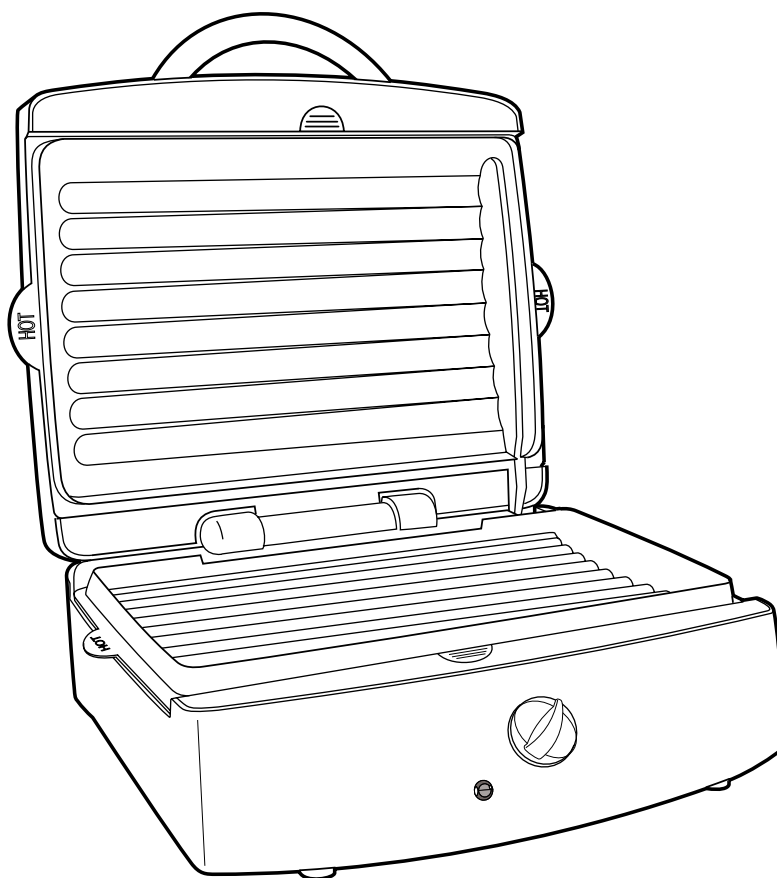




Contact Grill



Grill Safety	2	Grilling Chart	6
Know Your Grill	3	Cleaning	7
Grilling Options.....	4	Customer Assistance.....	8
Operating Instructions.....	5		

For Customer Assistance Please Call: 1-877-207-0923

840071500

Grill Safety

IMPORTANT SAFEGUARDS

In order to prevent the risk of fire, electric shock, burns or other injury or damage, follow these instructions carefully. When using electrical appliances, basic safety precautions should always be followed including the following:

1. Read all instructions.
2. Do not touch hot surfaces. Use handles or knobs.
3. To protect against risk of electrical shock, do not immerse appliance, cord or plug in water or other liquid.
4. Close supervision is necessary when any appliance is used by or near children.
5. Unplug from outlet when not in use and before cleaning. Allow to cool before putting on or taking off parts, and before cleaning the appliance.
6. Do not operate any appliance with a damaged cord or plug, or after the appliance malfunctions or is dropped or damaged in any manner. Call our toll-free customer assistance number for information on examination, repair or electrical or mechanical adjustment.
7. Do not use outdoors.
8. The use of accessory attachments not recommended by the appliance manufacturer may cause injuries or serious damage to the unit.
9. Do not let cord hang over edge of table or counter, or touch hot surfaces, including stove.
10. Do not place on or near a hot gas or electric burner, or in a heated oven.
11. Extreme caution must be used when moving an appliance containing hot oil or other hot liquids.
12. To disconnect, turn any control to "OFF," then remove plug from wall outlet.
13. Do not use appliance for other than intended purpose.
14. For units with detachable cooking plates, be sure they are secured before cooking.

SAVE THESE INSTRUCTIONS!

Consumer Safety Information

This appliance is intended for household use only.

This appliance is equipped with a grounded-type 3-wire cord (3-prong plug). This type of plug will only fit into an electrical outlet made for a 3-prong plug. This is a safety feature intended to help reduce the risk of electrical shock. If the plug should fail to fit contact a qualified electrician to replace the obsolete outlet. Do not attempt to defeat the safety purpose of the grounding pin by modifying the plug in any way.

To reduce risk of electrical shock, do not immerse the grill in water.

To avoid an electrical circuit overload do not use another high wattage appliance on the same circuit with the grill.

The length of the cord used on this appliance was selected to reduce the hazards of becoming tangled in, or tripping over a longer cord. If a longer cord is necessary a grounded type 3-wire extension cord may be used. The electrical rating of the extension cord must be equal to or greater than the rating of the grill. Care must be taken to arrange the extension cord so that it will not drape over the countertop or tabletop where it can be pulled on by children or accidentally tripped over.

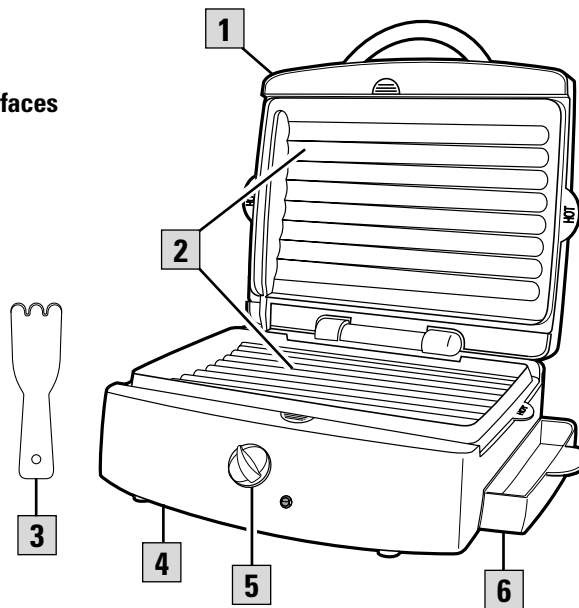
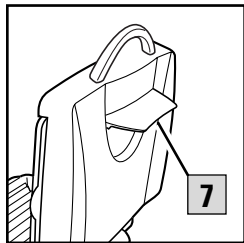
An extension cord should be connected to the appliance first, before it is plugged into the outlet.

CAUTION: Escaping steam can burn. Always use a hot mitt to protect hand when opening the grill.

Know Your Grill

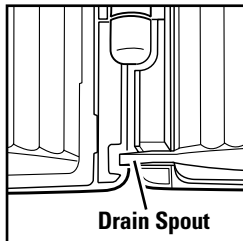
Parts and Features

- 1** Cover
- 2** Removable Nonstick Grill Surfaces
- 3** Spatula/Scraper
- 4** Base
- 5** Timer
- 6** Drip Cup
- 7** Support Leg

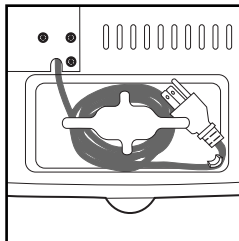


Optional Features (on select models)

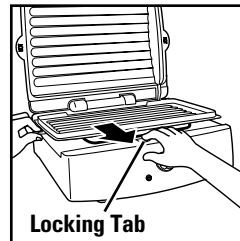
Drain Spout



Cord Wrap



Removable Grids



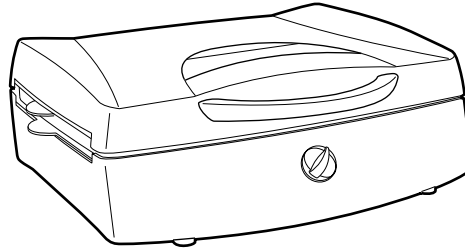
Push tab toward outside edge to release grids.

Grilling Options

The grill may be used in two different positions:

Closed Cover

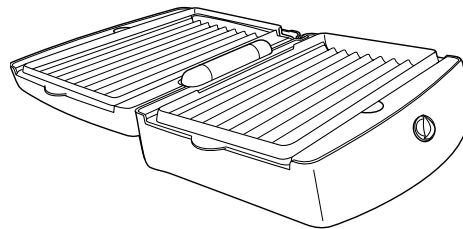
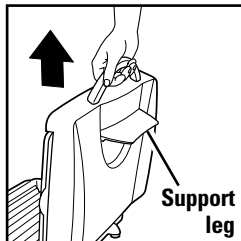
This will cook the food on both sides at the same time. This is the quickest method.



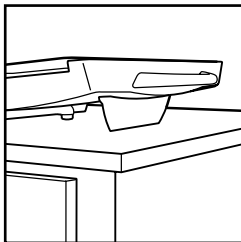
Flat

Open the grill for more grilling surface. This will require a longer cooking time but you can cook twice as much.

1. Flip up the support leg, then lift cover straight up (this will disengage the locked hinge).



2. Lower the cover as far as it will go to the flat position.

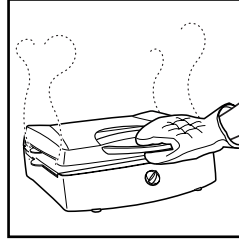


Operating Instructions

BEFORE FIRST USE: Please wash the cooking surfaces of the grill as instructed under "Cleaning."

1. First lock grids in place, then plug into 120 volt AC outlet.
2. Brush grilling surfaces with oil or spray with nonstick cooking spray.
3. Preheat grill by turning timer to 5 minutes. Keep cover closed.
4. When preheated, raise grill cover. Place food to be cooked onto grill and lower grill cover. Always use grill with drip cup in place.
5. Set timer. The ON light comes on when the timer is set.

6. When timer rings, use a hot mitt and



carefully lift grill cover and check food to see if cooked to desired degree. Do not cut food on nonstick grilling surface.

If additional cooking time is needed, reset timer.

7. To turn food, use the spatula/scrapper included with your grill, or another utensil safe for nonstick surfaces.
8. When food is cooked to desired degree, remove the food and unplug the grill. Let cool slightly before cleaning.

CAUTION: Escaping steam can burn. Always use a hot mitt to protect hand when opening the grill.

Grilling Chart

REMEMBER to preheat grill 5 minutes with cover closed.

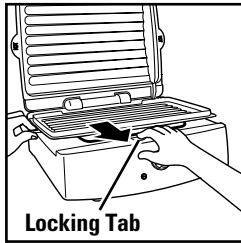
The following times are guidelines.

Food	Cook Time	Doneness
Beef strip steak, boneless, fresh (8 oz.)	5 min.	Slightly pink in center; brown on outside
Chicken breast, boneless, fresh (4 oz.)	5-8 min.	No longer pink in center
Chicken breast, boneless, frozen (4 oz.)	10-12 min.	No longer pink in center
Fish fillet squares, frozen (about 2 oz.)	6-8 min.	Fish looks white
Frankfurter (hot dog)	5 min.	Heated through
Hamburger (beef or turkey), fresh (4 oz.)	5-7 min.	No longer pink in center
Hamburger (beef or turkey), frozen (4 oz.)	10-12 min.	No longer pink in center
Pork chops, boneless, fresh (4 oz., 3/4" thick)	6-8 min.	No longer pink in center
Pork chops, boneless, frozen (4 oz.)	10-12 min.	No longer pink in center

Cleaning

1. Unplug grill from electrical outlet and allow to cool.

2. While holding grid, slide locking tab to release and remove grid. Open grill flat and repeat with other grid. **DO NOT REMOVE THE GRID WITH THE**



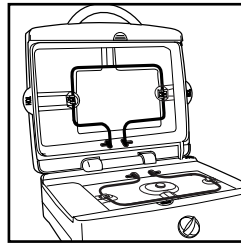
GRILL IN AN UPRIGHT POSITION. THE GRILL MUST BE FLAT TO REMOVE GRID.

3. Wash grids in hot soapy water. Rinse then dry. Grids may also be washed in dishwasher.
4. Do not use steel wool or any type of abrasive cleaner to clean the grill, as it will damage the nonstick grilling surface, and void the warranty.

5. Use a clean, damp cloth to wipe clean the outside of grill.

6. Empty drip cup. Wash drip cup and spatula/scrapper in hot, soapy water. Rinse and dry. They can also be put in top rack of dishwasher.

7. If grease drips over the grids into the reflector pans, the reflector pans must also be cleaned. Using a soapy, damp cloth, carefully wipe entire surface of reflector pan to remove all grease. Let dry.



WARNING: To reduce the risk of electrical shock, do not immerse the grill in water or other liquid. Do not clean the grill in the dishwasher.

Customer Assistance

If you have a claim under this warranty, please call our Customer Assistance Number. For faster service please have model, series, and type numbers ready for operator to assist you. These numbers can be found on the bottom of your grill.

MODEL: _____ **TYPE:** _____ **SERIES:** _____

Customer Assistance Number: 1-877-207-0923

Keep this number for future reference!

E-mail inquiries: www.wal-mart.com

Two Year Limited Warranty

What does your warranty cover?

- Any defect in material or workmanship.

For how long after the original purchase?

- Two years.

What will we do?

- Provide you with a new, or at our option, a reconditioned unit.
- The exchange unit is warranted for the remainder of your product's original two-year warranty period.

How do you make a warranty claim?

- Properly pack your unit. We recommend using the original carton and packing materials.
- Include in the package a copy of the sales receipt or other evidence of date of original purchase. If the unit was a gift, provide a statement specifying the date received. Also print your name and address and a description of the defect.
- Return the product to your nearest WAL*MART store or ship the unit via UPS Ground Service (or equivalent) to:
WAL*MART
263 Yadkin Road
Southern Pines, NC USA 28387
- A new or reconditioned unit will be shipped to you prepaid freight.

What does your warranty not cover?

- Glass parts, glass containers, cutter/strainer, blades and/or agitators.
- Commercial use or any other use not found in printed directions.
- Damage from misuse, abuse, or neglect.
- Products purchased or serviced outside the USA.

How does state law relate to this warranty?

- This warranty gives you specific legal rights, and you may also have other rights which vary from state to state.
- WAL*MART expressly disclaims all responsibility for consequential damages or incidental losses caused by use of this appliance. Some states do not allow this exclusion or limitation of incidental or consequential losses so the foregoing disclaimer may not apply to you.

What if you purchased this product in the USA and encounter a problem while using it outside the USA?

- Follow the shipping directions provided for warranty claims.

For products purchased outside the United States and Canada, see dealer for warranty.
WAL*MART Stores, Inc.
Bentonville, AR 72716



is a trademark of
General Electric Company
and is used under license by
WAL*MART Stores, Inc.
Bentonville, AR 72716

840071500

WAL*MART Stores, Inc.
Bentonville, AR 72716

6/00

Free Manuals Download Website

<http://myh66.com>

<http://usermanuals.us>

<http://www.somanuals.com>

<http://www.4manuals.cc>

<http://www.manual-lib.com>

<http://www.404manual.com>

<http://www.luxmanual.com>

<http://aubethermostatmanual.com>

Golf course search by state

<http://golfingnear.com>

Email search by domain

<http://emailbydomain.com>

Auto manuals search

<http://auto.somanuals.com>

TV manuals search

<http://tv.somanuals.com>