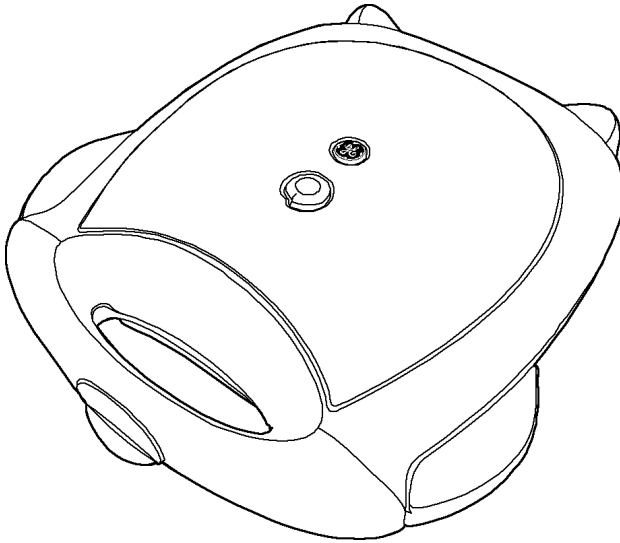




CONTACT GRILL



Model Number

169091 (US), 169080 (Canada)

UPC : 681131690911 (US), 681131690805 (Canada)

**For Customer Assistance, call Customer Service at
1-877-207-0923 (US) or 1-877-556-0973 (Canada)**

IMPORTANT SAFEGUARDS

When using electrical appliances, basic safety precautions should always be followed, including the following:

- **READ ALL INSTRUCTIONS.**
- Do not touch hot surfaces. Use handles or knobs.
- To protect against electrical shock, do not immerse cord, plugs or appliance itself in water or any other liquid.
- Close supervision is necessary when toaster is used by or near children.
- Unplug from outlet when not in use and before cleaning. Allow to cool before putting on or taking off parts.
- Do not operate any appliance with a damaged cord or plug or after the appliance malfunctions, or has been damaged in any manner. Call our toll-free customer service number for information on examination, repair or adjustment.
- The use of accessory attachments not recommended by the appliance manufacturer may cause injuries.
- Do not use outdoors.
- Do not let cord hang over edge of table or counter, or touch hot surfaces.
- Do not place on or near a hot gas or electric burner or in a heated oven.
- To disconnect, remove plug from wall outlet.
- Do not use appliance for other than its intended use.
- Do not clean with metal scouring pads. Pieces can break off the pad and touch electrical parts, creating a risk of electrical shock.
- This appliance is for household use only.
- Extreme caution must be used when moving the appliance containing hot oil or other hot liquids.

SAVE THESE INSTRUCTIONS!

CONSUMER SAFETY INFORMATION

This appliance is intended for indoor household use only.

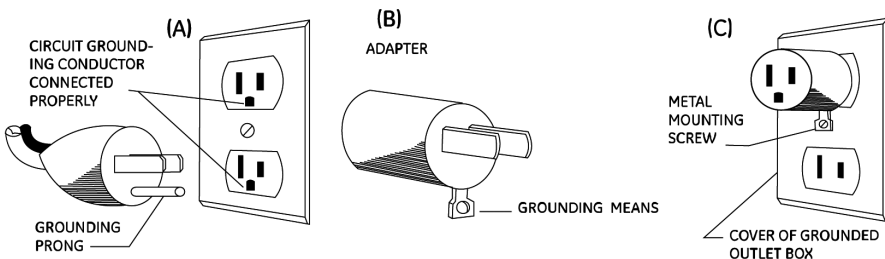
Short Power Supply Cord Information

A short power supply cord is provided to reduce the risk of becoming entangled in or tripping over a long cord. Extension cords may be used if care is exercised in their use.

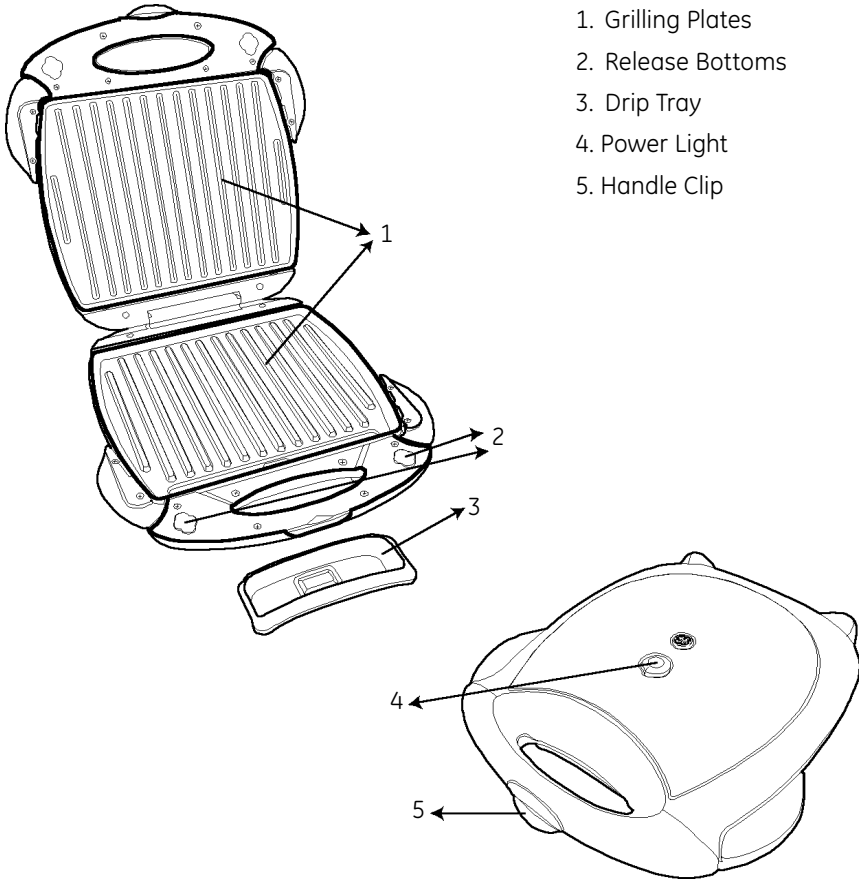
If an extension cord is used, the marked electrical rating of the extension cord should be at least as great as the electrical rating of the appliance. The cord should be arranged so that it will not drape over the countertop or tabletop where it can be pulled on by children or tripped over unintentionally. If the appliance is of the grounded type, the extension cord should be a grounding-type 3-wire cord.

Grounding Instructions

This appliance must be grounded while in use to protect the operator from electrical shock. The appliance is equipped with a 3-conductor cord and a 3-prong grounding-type plug to fit the proper grounding-type receptacle. The appliance has a plug that looks like sketch A. An adaptor, sketch B, should be used for connecting sketch A-type plug to two-ground receptacles. The grounding tab, which extends from the adaptor, must be connected to a permanent ground such as a properly grounded outlet box as shown in sketch C, using a metal screw.



PARTS



1. Grilling Plates
2. Release Bottoms
3. Drip Tray
4. Power Light
5. Handle Clip

FEATURES

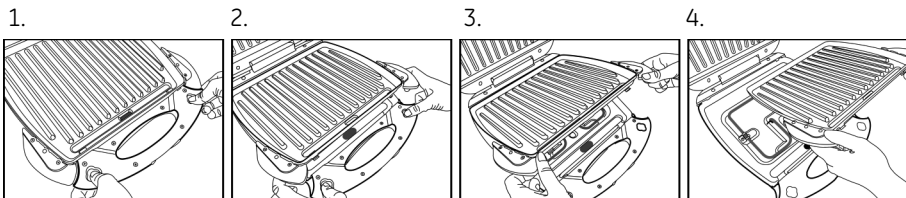
- Cool touch handle
- Detachable die-cast plates
- Non-stick coated cooking surface for easy cleaning
- Temperature ready light
- Stands upright for compact, space saving storage
- Cord-wrap
- Skid-resistant feet

OPERATING INSTRUCTIONS

1. When using for the first time, thoroughly wash and then dry the baking grids.
2. Plug unit into 110-120 volt AC wall outlet. When the unit is new, you may notice a slight smoking or odor. This is normal and will not recur. The blue light will glow, indicating that the baker has begun preheating.
3. Baking temperature is reached in approximately 8-10 minutes. When the baking temperature is reached, the blue light will turn OFF. After this point, you will see the light go ON and OFF. This means that the baking temperature is being maintained, and is not telling you when to start or stop baking.
4. Now you are ready to grill meats and vegetables.
Note: When baking never use metal utensils, which can damage the non-stick surface of the grids. Let only wood or plastic utensils contact the non-stick surface.
5. When finished, remove the plug from the wall socket. Let cool.
6. See clean up instructions further on in this booklet.

HOW TO REMOVE THE PLATES

1. Press 2 buttons on the handle.
2. Lift up the cooking plate while pressing these 2 buttons.
- 3/4. Release and remove the cooking plate.



HINTS FOR BEST RESULTS

1. Marinate meat for added flavor and tenderizing.
2. Avoid meat with bone. Bone prevents grill from contacting meat evenly and results in uneven cooking.
3. Thinner parts of fish or chicken should be folded under thicker part to prevent over-cooking.
4. Thinner fish like sole and flounder should be cooked on an open griddle.
5. Brush fish with oil or brush the grill to prevent sticking.
6. Select foods of even thicknesses for consistent cooking.

NOTE: Allow 50% additional time when grilling frozen steaks and fillets.

CLEANING AND MAINTENANCE

1. When you are finished baking, unplug from the wall outlet. Leave the baker open and allow to cool. Never immerse in water.
2. After cooling, remove grids and wash in hot soapy water, or wash grids in the dishwasher. Do not use anything abrasive that can scratch or damage the non-stick coating.
3. For food that is baked-on or otherwise difficult to remove, pour a little cooking oil onto the hardened food. Wipe off after a few minutes, when the food has softened. Do not use metal utensils, which can damage the non-stick coating.
4. Wipe the outside with a soft cloth only. Do not use any abrasive scouring pad or steel wool, as this will damage the housing finishes.

CAUTION: Do not immerse electrical appliance in water or any liquid.
Do not place electrical appliance in dishwasher.

CONTACT GRILL

Model No.	Rated voltage	Rated power	Dimensions	Weight
169091/ 169080	120V	1200W	35x33x12,5 cm 13,8x13x4,92 inches	1,34 kg 9.24lb

Free Manuals Download Website

<http://myh66.com>

<http://usermanuals.us>

<http://www.somanuals.com>

<http://www.4manuals.cc>

<http://www.manual-lib.com>

<http://www.404manual.com>

<http://www.luxmanual.com>

<http://aubethermostatmanual.com>

Golf course search by state

<http://golfingnear.com>

Email search by domain

<http://emailbydomain.com>

Auto manuals search

<http://auto.somanuals.com>

TV manuals search

<http://tv.somanuals.com>