

SCB1000MWW/CC/BB GE Profile Advantium® Wall Oven

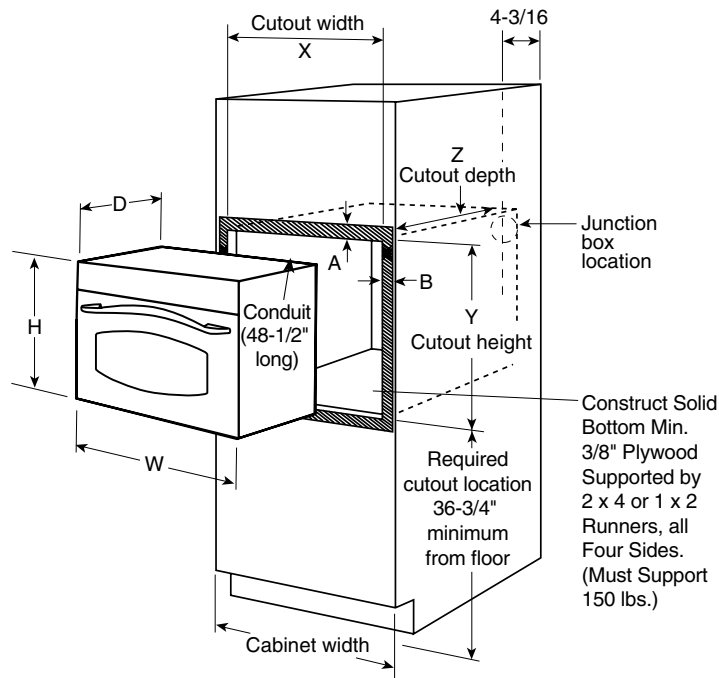
Advantium wall oven/GE Profile cooking tower dimensions and cabinet installation information (in inches)

Note: Cabinets installed adjacent to wall ovens must have an adhesion spec of at least a 194°F temperature rating.

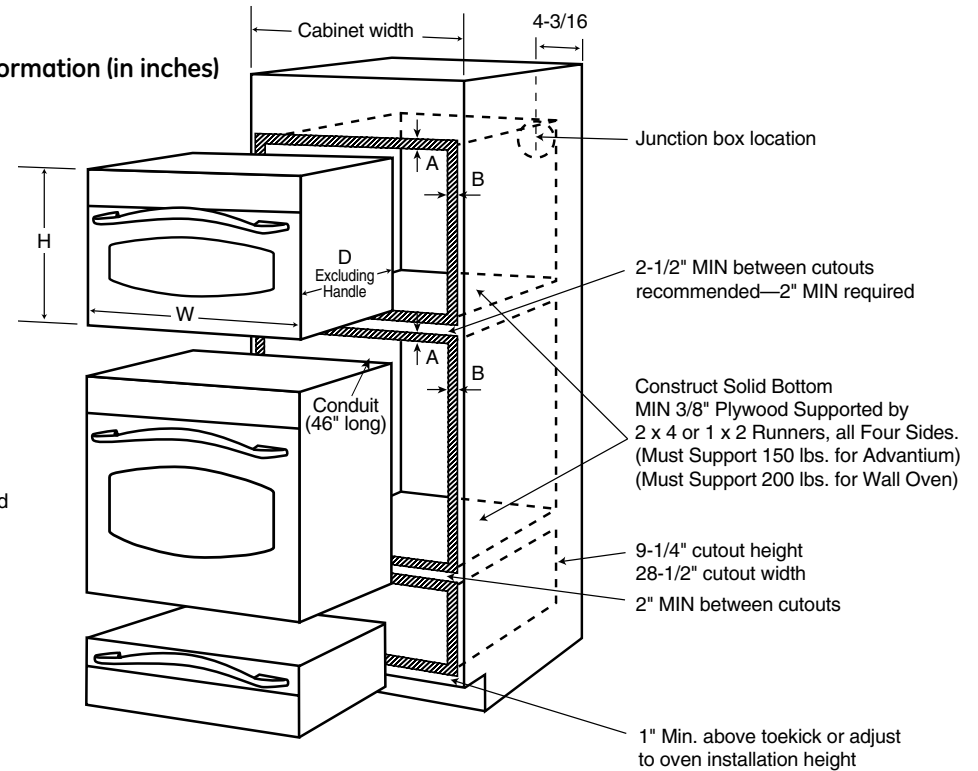
Note: 2" minimum between cutouts when installed above warming drawer or single wall oven.

Installation Information:

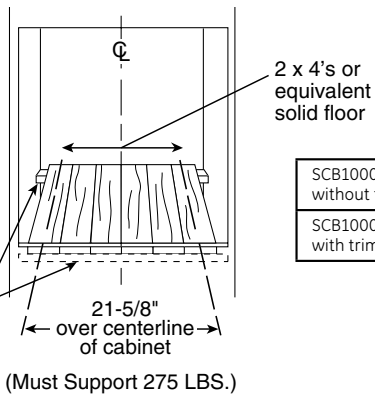
Before installing, consult installation instructions packed with product for current dimensional data.



A=Allow 1" overlap of oven over top and bottom edges of cutout.
B=Allow 11/16"-3/4" for overlap of oven over side edges of cutout.



A=Allow 1" overlap of oven over top and bottom edges of cutout.
B=Allow 11/16"-3/4" for overlap of oven over side edges of cutout.



	Cabinet Width	W Width	H Height	D Depth (excluding handle)	X Cutout Width	Y Cutout Height	Z Cutout Depth (minimum)
SCB1000/1:27" Installation without trim kit	27	26-3/4	19-1/32	21-1/2	25-1/8	17-1/2	23-1/2
SCB1000/1:30" Installation with trim kit	30	29-3/4	19-1/32	21-1/2	25-1/8	17-1/2	23-1/2

For answers to your Monogram®, GE Profile™ or GE® appliance questions, visit our website at ge.com or call GE Answer Center® service, 800.626.2000.



imagination at work



Specification Created 6/07

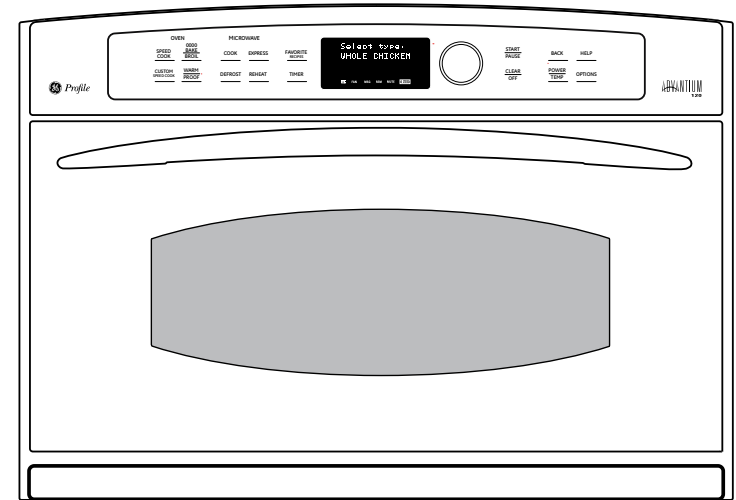
240402

SCB1000MWW/CC/BB

GE Profile Advantium® Wall Oven

Features and Benefits

- Speedcook Oven - Delivers oven quality food up to four times faster than a conventional oven. No preheating required.
- True European Convection Oven - 1500-watt convection oven mode bakes and roasts at temperatures ranging from 80 to 450 degrees
- Sensor Microwave Oven - 975-watt sensor microwave oven mode automatically delivers perfect cooking results
- Warming Oven - Keeps prepared foods warm and fresh, and retains perfect moistness and crispness
- Proof Feature - Specialized mode allows dough to rise quickly
- 16" Turntable - Removable metal and glass trays easily handle large casserole dishes
- Rounded Rear Wall - Allows complete turntable rotation of 9" x 13" casserole dish for even cooking
- Installation Flexibility - Fits either a 27" or a 30" wall oven cabinet (installation kit included)
- Preprogrammed Recipes - Provide quick and easy programming of over 175 speedcook food selections
- Multi-Level Cooking - Removable rack allows cooking of multiple dishes at once
- Non-Stick Cooking Tray - 16" speedcook tray cleans up easily
- Model SCB1000MWW - White on white
- Model SCB1000MCC - Bisque on bisque
- Model SCB1000MBB - Black on black



Free Manuals Download Website

<http://myh66.com>

<http://usermanuals.us>

<http://www.somanuals.com>

<http://www.4manuals.cc>

<http://www.manual-lib.com>

<http://www.404manual.com>

<http://www.luxmanual.com>

<http://aubethermostatmanual.com>

Golf course search by state

<http://golfingnear.com>

Email search by domain

<http://emailbydomain.com>

Auto manuals search

<http://auto.somanuals.com>

TV manuals search

<http://tv.somanuals.com>