

ZET938SM/BM/WM

GE Monogram® 30" Built-In Single Oven

Dimensions and Installation Information (in inches)

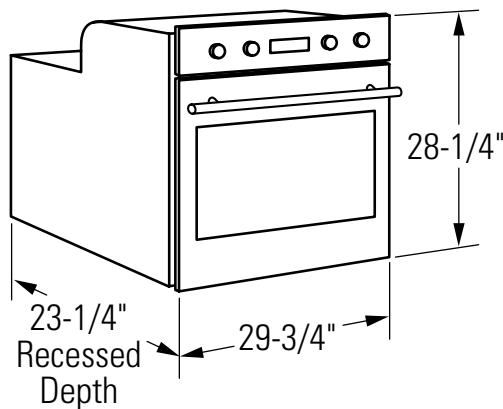
KW Rating	
240V	4.0
208V	3.0
Breaker Size	
240V	20 Amps
208V	20 Amps

Installation Flexibility

These ovens may be installed below a countertop and beneath approved cooktops. They may also be installed in combination with an Advantium oven and a warming drawer. They may also be installed side by side. This oven is not approved for stackable, one over another installations.

Note: Cabinets installed adjacent to wall ovens must have an adhesion spec of at least a 194°F temperature rating.

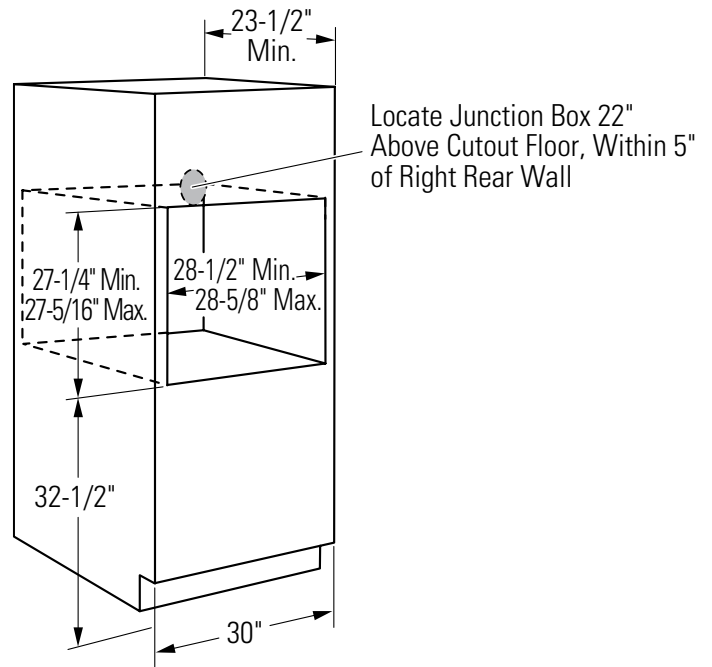
Installation Information: Before installing, consult installation instructions packed with product for current dimensional data.



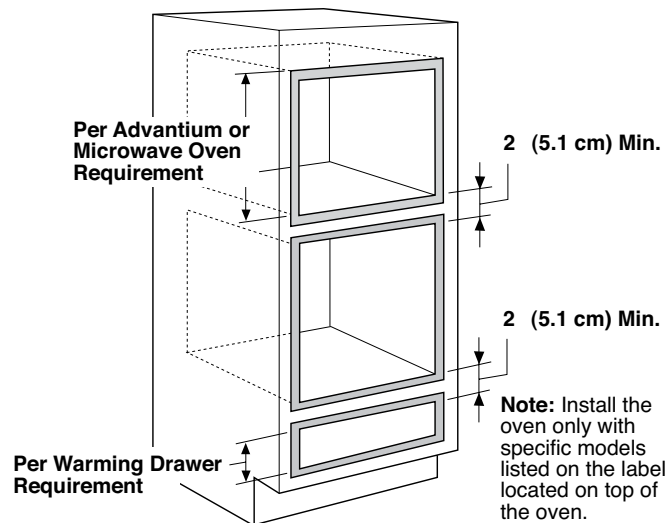
Side by Side Installations

Install two wall ovens in separate cutouts. Allow 2" (5.1 cm) min. between cutouts.

For answers to your Monogram®, GE Profile™ or GE® appliance questions, visit our website at ge.com or call GE Answer Center® service, 800.626.2000.



The solid bottom or runners must be level with the bottom of the cutout, or the bottom trim may not install correctly and could interfere with the door opening. If the cabinet does not have a solid bottom, two braces or runners must be installed level with the bottom of the cutout to support the weight of the oven. The runners and braces must support 150 lbs. (68 kg).



Specification Revised 5/07

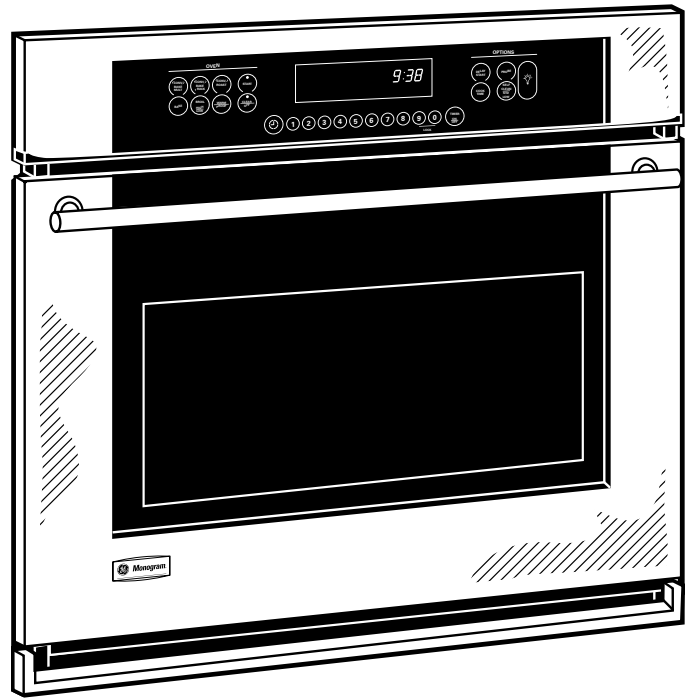
130184

ZET938SM/BM/WM

GE Monogram® 30" Built-In Single Oven

Features and Benefits

- Electronic Glass Touch Controls - A gentle touch allows you to easily select the desired cooking function: convection bake or roast, variable or closed-door broiling, 24-hour delay bake, warm mode or proof mode
- Halogen Light Columns - On the oven walls provide brilliant task lighting for each rack position
- Self-Cleaning Oven Racks - Porcelain-coated racks are designed to be left in the oven during the self-clean cycle for effortless cleaning
- 4.4 Cu. Ft. Capacity - Easily accommodates even the largest meals
- True Hidden Bake Element - Concealed beneath the oven floor, allowing additional capacity and improved cleanability
- Reverse-Air Convection System - Uses an innovative fan that reverses direction for optimal air and heat circulation, providing even cooking and multi-rack baking capability
- Certified Sabbath Mode - Allows you to keep cooked foods warm on the Jewish Sabbath and Jewish holidays
- Signature Tubular Handles - Are smooth, sleek and easy to grasp
- Hand-Finished Edges - Reflect the meticulous quality and craftsmanship for which Monogram products are renowned
- Large Viewing Window - Allows you to view your culinary work in progress
- Standard GE Dimensions - Match the industry's preferred cutout sizes for remarkably simple installation
- Model ZET938SMSS - Stainless steel
- Model ZET938BMBB - Black
- Model ZET938WMWW - White



imagination at work

Specification Revised 5/07

130184

Free Manuals Download Website

<http://myh66.com>

<http://usermanuals.us>

<http://www.somanuals.com>

<http://www.4manuals.cc>

<http://www.manual-lib.com>

<http://www.404manual.com>

<http://www.luxmanual.com>

<http://aubethermostatmanual.com>

Golf course search by state

<http://golfingnear.com>

Email search by domain

<http://emailbydomain.com>

Auto manuals search

<http://auto.somanuals.com>

TV manuals search

<http://tv.somanuals.com>